

CARCO®

PARTS MANUAL MODEL H110 FOR

JOHN DEERE 950

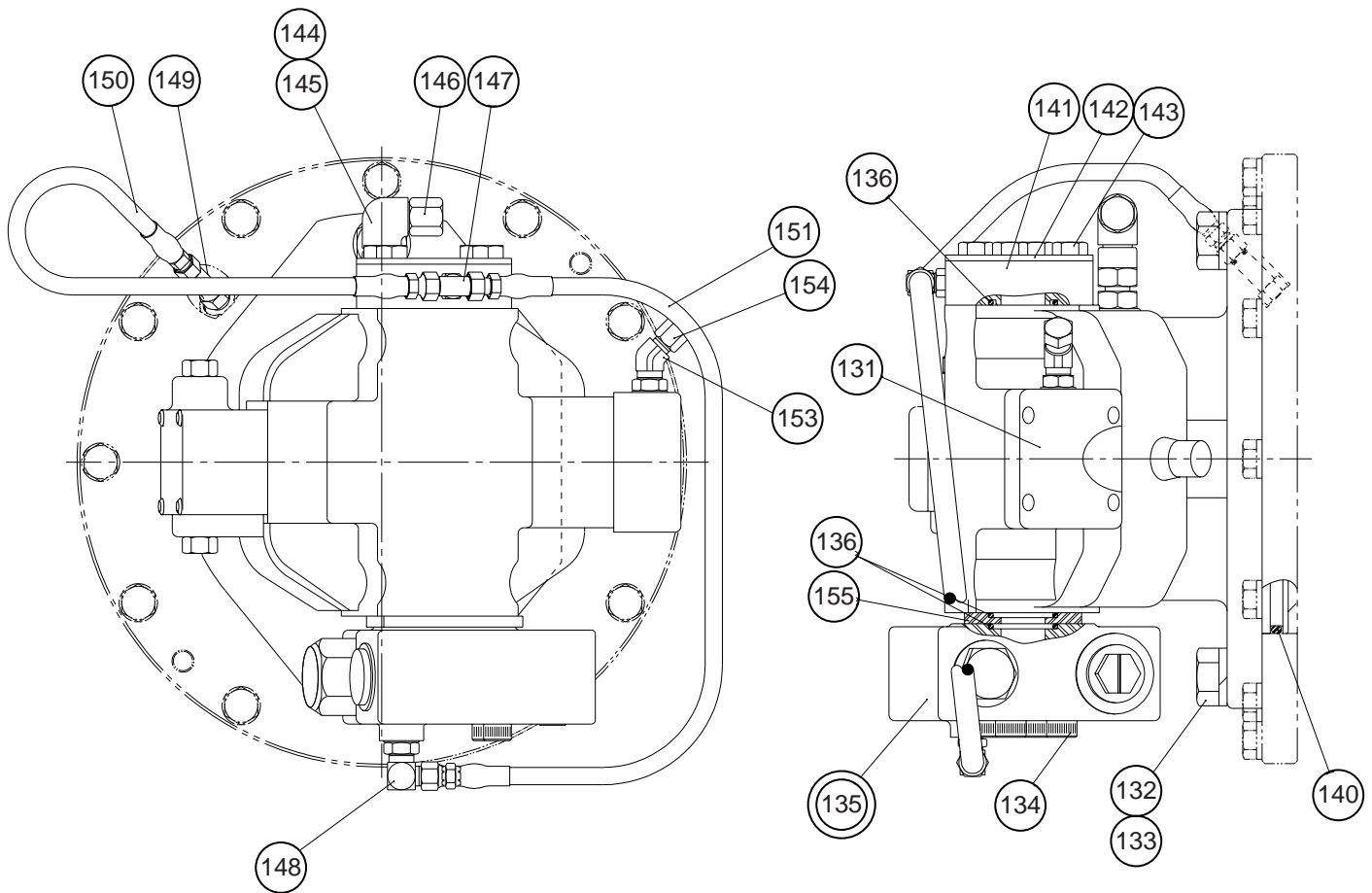
TABLE OF CONTENTS

Hydraulic Motor Group2
Brake Valve Assembly3
Brake Housing Assembly4
Drum Clutch Assembly5
Winch Housing Group6
Primary Planet Carrier Assembly8
Secondary Planet Carrier Assembly8
Output Planet Carrier Assembly9
Covers & Fairlead Group10

MODEL NUMBER DESCRIPTION

H110	245	V	065	0	3
Basic Winch Model	Overall Gear Ratio 156:1 245:1	Motor Type F - Fixed Displacement V - Variable Displacement	Motor Size (cu in./rev) ex 065 - 6.5 cu in.	Control Option 0 - Auto Speed/ Lock-In-Low 2 - 2 Speed	Fairlead 3 - 3 Roller 4 - 4 Roller

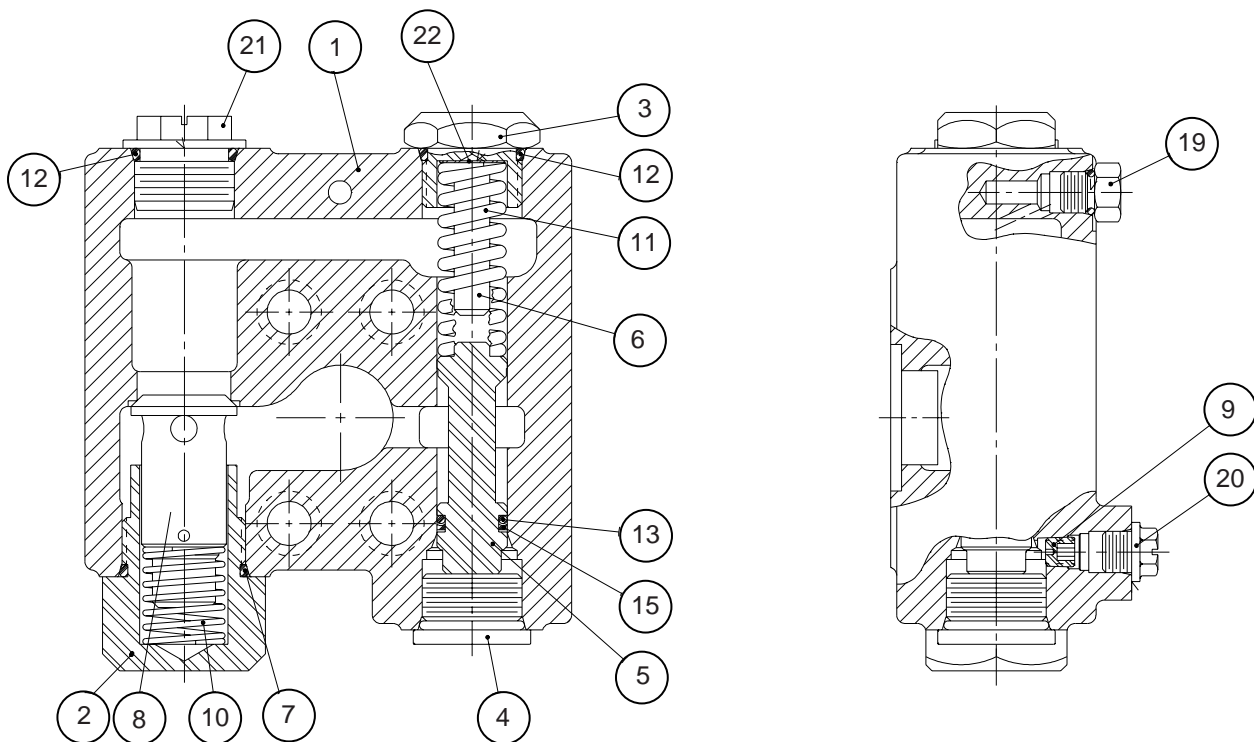
HYDRAULIC MOTOR GROUP



ITEM	PART NO.	DESCRIPTION	QTY.
131	102956	HYDRAULIC MOTOR	1
132	PA8T9398	CAPSCREW, HEX HEAD (3/4-10 X 1 3/4 G8)	2
133	100856	LOCKWASHER, HARDENED, PLTD. (3/4)	2
134	21134	CAPSCREW, SOC. HEAD (7/16-14 X 3 G8)	4
135	82133	BRAKE VALVE ASSEMBLY - SEE PG. 3	1
136	25366	O-RING	3
140	22358	O-RING	1
141	29395	ADAPTER BLOCK - PAY-OUT PORT	1
142	29679	SHIPPING COVER	1
143	22695	CAPSCREW, HEX HEAD (7/16-14 X 1 3/4) for shipping cover only	4
144	101267	ADAPTER, M18 X 1.5 -8 ORFS - CASE DRAIN	1
145	101298	ELBOW, 90, -8 ORB TO -8 ORFS	1
146	101274	CAP, -8 ORFS	1
147	101268	TEE, -4 ORFS	1
148	27430	ELBOW, 90, -4 ORB TO -4 ORFS	1
149	101275	ADAPTER, LONG -4 ORB TO -4 ORFS - BRAKE PORT	1
150	101919	HOSE, -4 ORFS, 14 IN.(356 MM) PO PORT TO BRAKE PORT	1
151	101271	HOSE, -4 ORFS, 20 IN.(508 MM) PO PORT TO BV PORT	1
153	101433	ELBOW, 45, -4 ORB TO -4 ORFS, MOTOR X PORT	1
154	101273	CAP, -4 ORFS	1
155	40064	SPACER, MOTOR PORT	1

BRAKE VALVE ASSEMBLY

82133



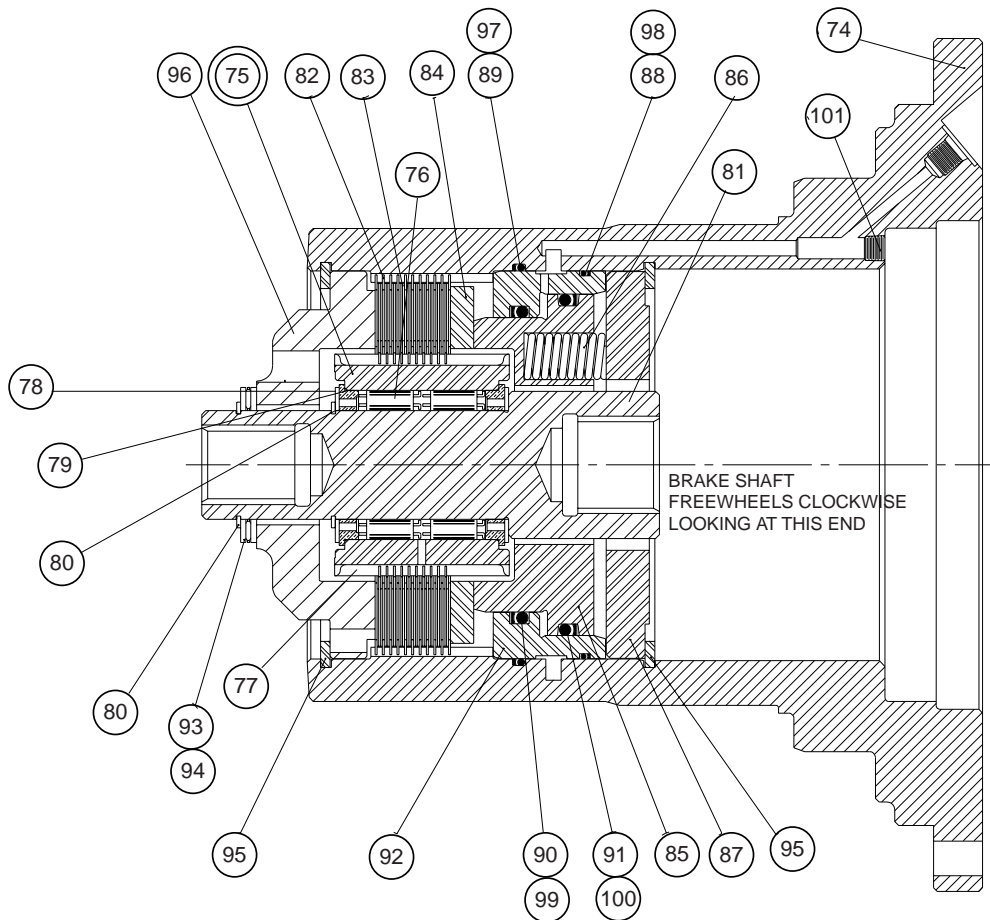
ITEM	PART NO.	DESCRIPTION	QTY.
1	NSS	BRAKE VALVE HOUSING	1
2	29609	RELIEF VALVE RETAINER	1
3	29994	SPRING RETAINER	1
4	22450	PLUG	1
5	NSS	MAIN SPOOL	1
6	29993	SPOOL STOP	1
7	24186	O-RING	1
8	82132	CHECK POPPET/RELIEF VALVE 6000 PSI	1
9	24200	PILOT ORIFICE	1
10	24190	CHECK VALVE SPRING	1
11	29992	MAIN SPOOL SPRING	1
12	23601	O-RING	2
13	24193	O-RING	1
15	24195	BACK-UP RING	1
19	25663	PLUG, -4 ORFS	1
20	25403	SHIPPING PLUG	1
21	75288	SHIPPING PLUG	1
22	25661	SHIM, MAIN SPOOL SPRING	AR

NSS - NOT SERVICED SEPARATELY

AR - AS REQUIRED

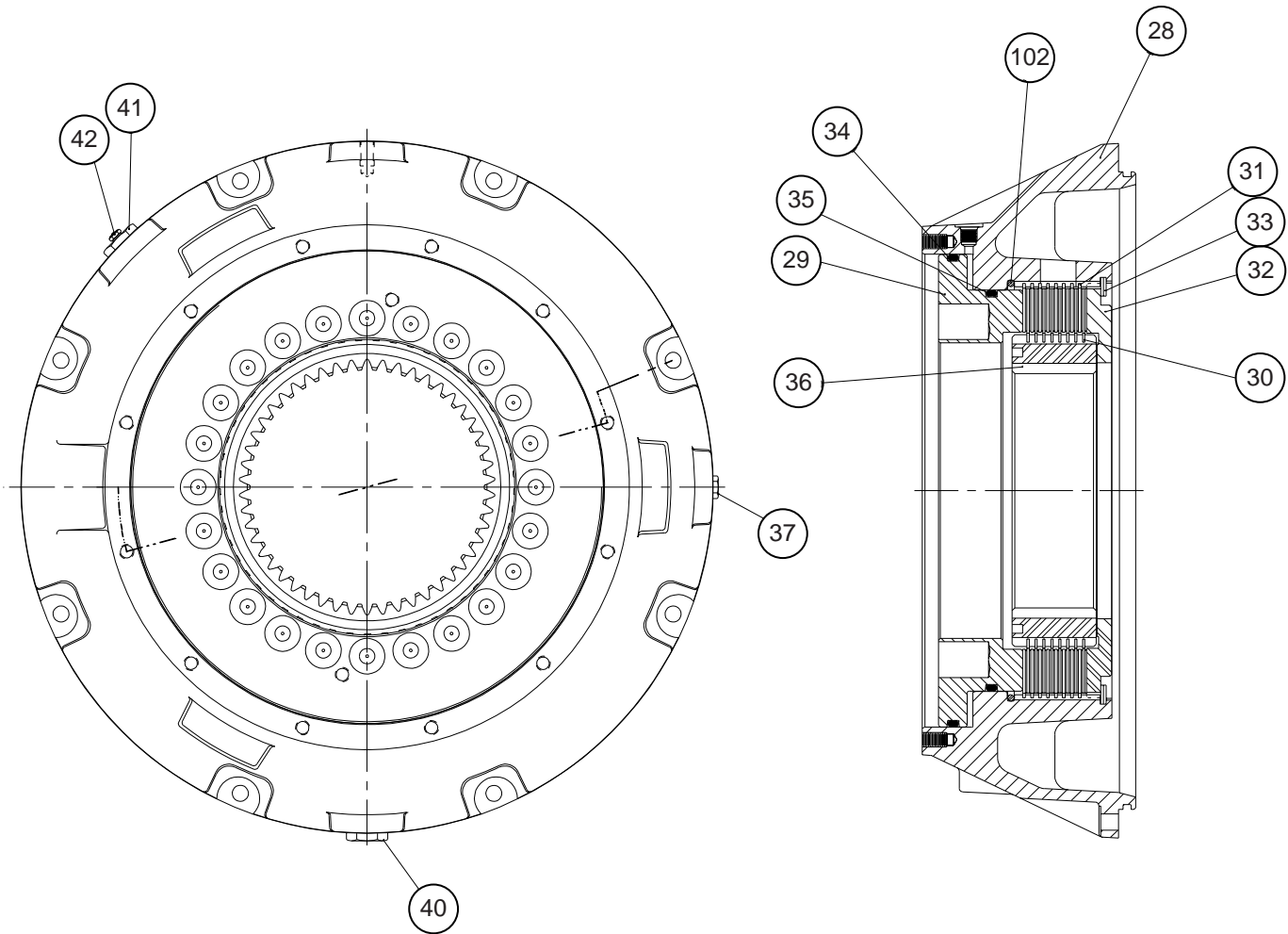
BRAKE HOUSING ASSEMBLY

82477



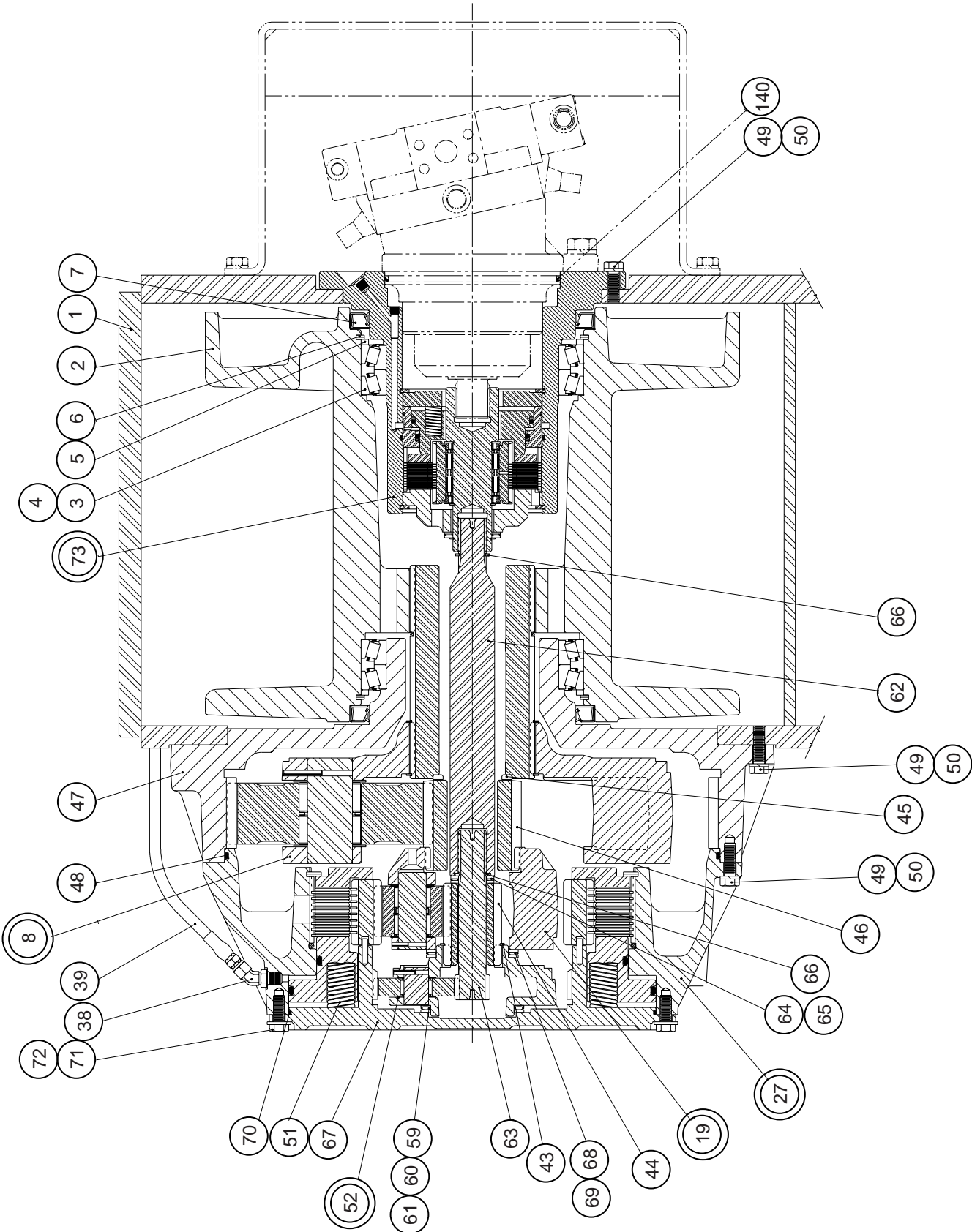
ITEM	PART NO.	DESCRIPTION	QTY.
74	101319	BRAKE HOUSING	1
75	82138	BRAKE CLUTCH ASSEMBLY - INCLUDES ITEMS 76 - 81	1
76	NSS	SPRAG CLUTCH	2
77	NSS	OUTER BRAKE RACE	1
78	27684	SPRAG BEARING - BRONZE ALLOY	2
79	24581	THRUST WASHER	2
80	12034	RETAINING RING	2
81	NSS	BRAKE SHAFT - METRIC	1
82	24490	DISC - STEEL DIVIDER	11
83	25530	DISC - FRICTION	10
84	24489	SPACER - BRAKE DISC	1
85	29274	BRAKE PISTON	1
86	29301	SPRING	13
87	29344	SPRING RETAINER	1
88	27987	O-RING	1
89	10450	O-RING	1
90	72924	O-RING	1
91	29302	O-RING	1
92	29275	BRAKE CYLINDER	1
93	25760	THRUST BEARING RACE	2
94	29286	THRUST BEARING	1
95	21038	RETAINING RING	2
96	29345	BRAKE RETAINER	1
97	28828	BACK-UP RING	1
98	29368	BACK-UP RING	1
99			
100			

DRUM CLUTCH ASSEMBLY
82496



ITEM	PART NO.	DESCRIPTION	QTY.
28	29340	CLUTCH HOUSING	1
29	29309	CLUTCH PISTON	1
30	72180	DISC - FRICTION	8
31	72204	DISC - STEEL DIVIDER	8
32	29292	PRESSURE PLATE	1
33	29303	RETAINING RING	1
34	24592	O-RING	1
35	29509	O-RING	1
36	29246	CLUTCH HUB	1
37	26686	PLUG - OIL LEVEL	1
40	40161	PLUG - OIL DRAIN - MAGNETIC	1
41	29678	PLUG - FILL	1
42	10074	PLUG - VENT RELIEF	1
102	100135	SPACER RING	1

WINCH HOUSING GROUP

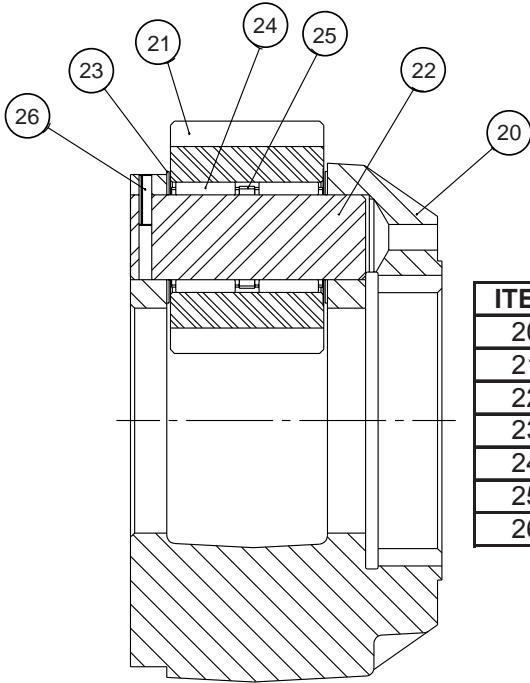


WINCH HOUSING GROUP CONT.

ITEM	PART NO.	DESCRIPTION	QTY.
1	40207	WINCH HOUSING	1
2	29258	CABLE DRUM	1
3	29277	BEARING CONE	4
4	29278	BEARING CUP	4
5	29279	SPACER RING	2
6	29280	RETAINING RING	2
7	29281	OIL SEAL	2
8	82074	OUTPUT PLANET CARRIER ASSEMBLY - SEE PAGE 9	1
19	82071	SECONDARY PLANET CARRIER ASSEMBLY - SEE PG. 8	1
27	82469	DRUM CLUTCH ASSEMBLY - SEE PAGE 5	1
38	101286	ELBOW, 45, -6 ORB TO -6 ORFS - DRUM CLUTCH PORT	1
39	101625	HOSE, -6 ORFS, 34 IN. (864 MM) DRUM CLUTCH RELEASE	1
43	13031	RETAINING RING	1
44	29293	SECONDARY SUN GEAR	1
45	29294	THRUST WASHER	1
46	29269	OUTPUT SUN GEAR	1
47	29336	OUTPUT RING GEAR	1
48	29296	O-RING	1
49	PA5P2566	CAPSCREW, HEX HEAD (1/2-13 X 1 1/2 PLTD.)	46
50	100859	WASHER (1/2 PLTD.)	46
51	29305	SPRING	20
52	82130	PRIMARY PLANET CARRIER ASSEMBLY - SEE PG. 8	1
59	75024	THRUST BEARING RACE-.125 IN. (3.17mm) OUTER	1
60	18050	THRUST BEARING	1
61	26291	THRUST BEARING RACE-.062 IN. (1.58mm) INNER	1
62	29708	INTERMEDIATE SHAFT	1
63	29763	PRIMARY SUN GEAR SHAFT	1
64	73294	THRUST BEARING RACE - .125 IN. (3.17mm)	2
65	24305	THRUST BEARING	1
66	29287	RETAINING RING	2
67	29764	PRIMARY PLANET RING GEAR/ COVER - includes 8 dowel pins	1
68	24485	THRUST BEARING RACE	2
69	29599	THRUST BEARING	1
70	72113	O-RING	1
71	PA8T8917	CAPSCREW, HEX HEAD (1/2-13 X 1 1/4 PLTD.)	10
72	100859	WASHER, HARDENED (1/2 PLTD.)	10
73	82477	BRAKE HOUSING ASSEMBLY - SEE PAGE 4	1

SECONDARY PLANET CARRIER ASSEMBLY

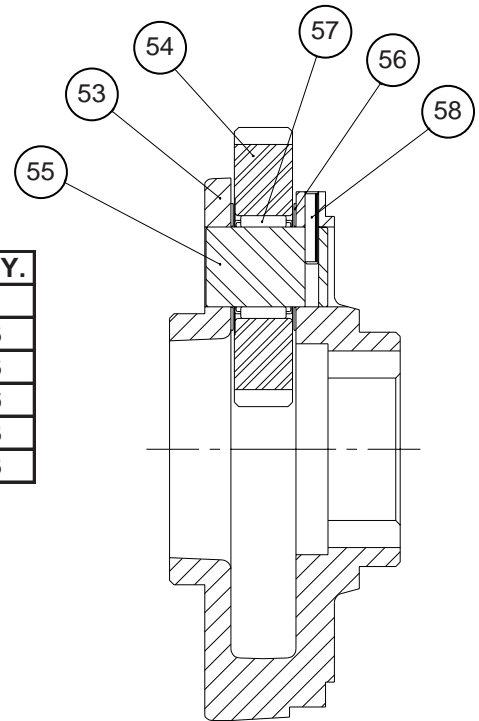
82071



ITEM	PART NO.	DESCRIPTION	QTY.
20	29339	SECONDARY PLANET CARRIER	1
21	25288	SECONDARY PLANET GEAR	3
22	29364	SECONDARY PLANET GEAR SHAFT	3
23	11932	THRUST WASHER	6
24	25292	ROLLER BEARING	6
25	25290	BEARING SPACER	3
26	24113	SPIROL PIN	3

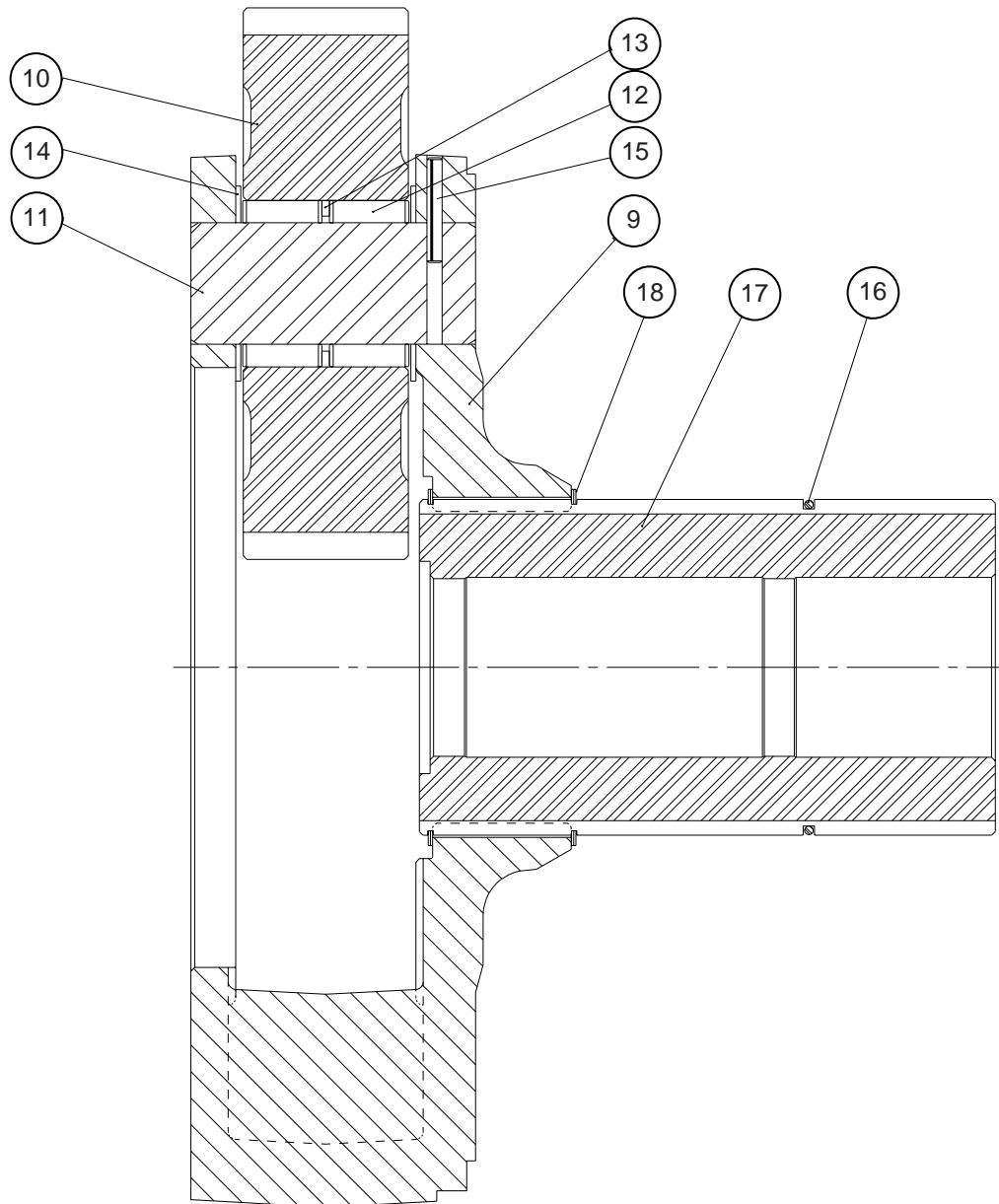
PRIMARY PLANET CARRIER ASSEMBLY

82130



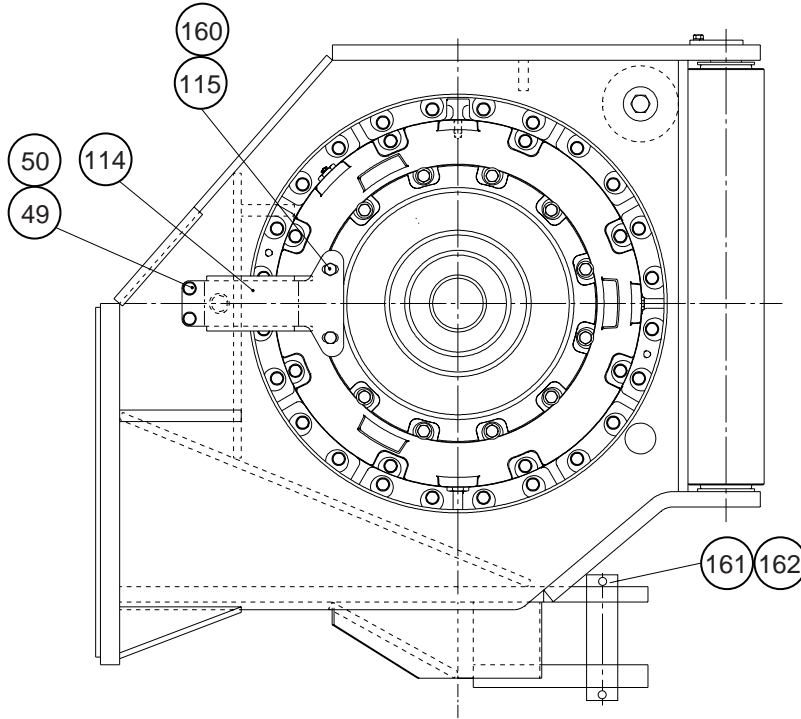
ITEM	PART NO.	DESCRIPTION	QTY.
53	29761	PRIMARY PLANET CARRIER	1
54	29762	PRIMARY PLANET GEAR	3
55	26294	PRIMARY PLANET GEAR SHAFT	3
56	24479	THRUST BEARING	6
57	24480	ROLLER BEARING	3
59	21058	SPIROL PIN	3

OUTPUT PLANET CARRIER ASSEMBLY
82074

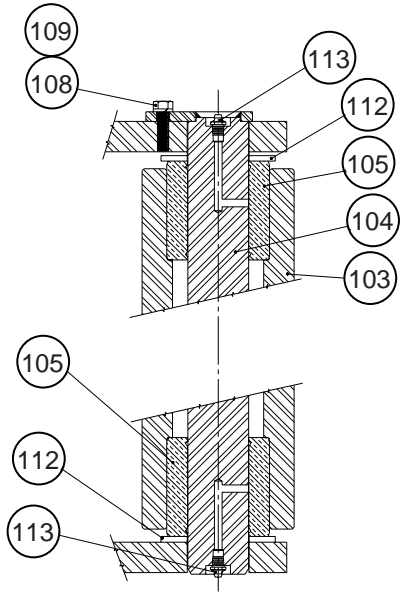


ITEM	PART NO.	DESCRIPTION	QTY.
9	29348	OUTPUT PLANET CARRIER	1
10	29266	OUTPUT PLANET GEAR	3
11	29262	OUTPUT PLANET SHAFT	3
12	27911	ROLLER	120
13	29299	BEARING SPACER	3
14	29300	THRUST WASHER	6
15	13028	ROLL PIN	3
16	29291	RETAINING RING	1
17	29322	DRUM DRIVE SHAFT	1
18	29349	RETAINING RING	2

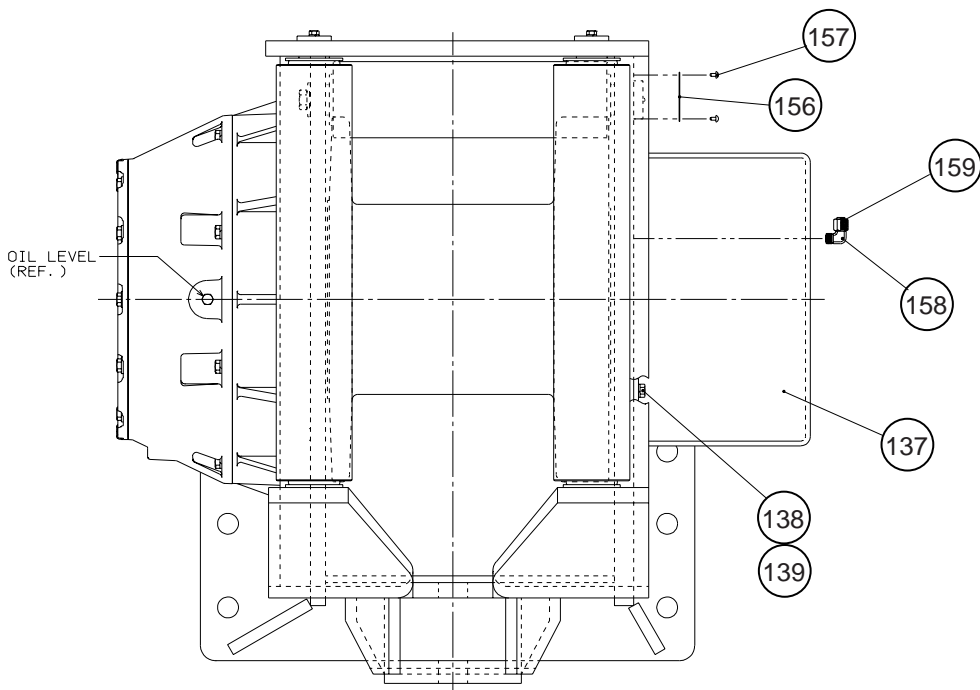
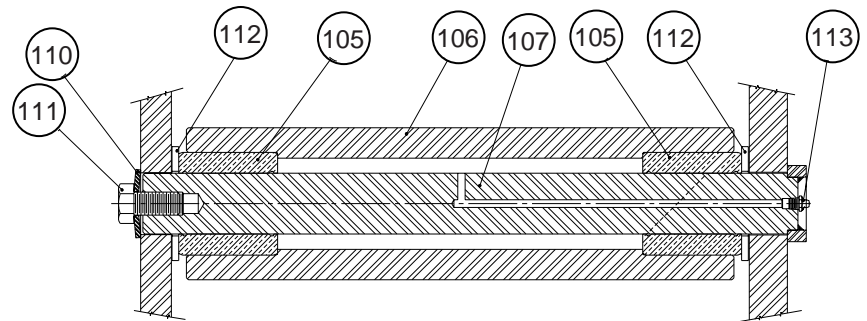
COVERS & FAIRLEAD GROUP



VERTICAL ROLLER

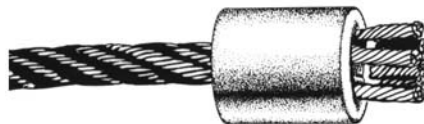


HORIZONTAL ROLLER



COVERS & FAIRLEAD GROUP CONT.

ITEM	PART NO.	DESCRIPTION	QTY.
49	PA5P2566	CAPSCREW, HEX HEAD (1/2-13 X 1 1/2 PLTD.)	2
50	100859	WASHER (1/2 PLTD.)	2
103	40208	ROLLER, VERTICAL (30.44 IN.)	2
104	40209	ROLLER SHAFT, VERTICAL	2
105	29314	ROLLER BUSHING	6
106	29315	ROLLER, HORIZONTAL	1
107	29316	ROLLER SHAFT, HORIZONTAL	1
108	PA4L6454	CAPSCREW, HEX HEAD (3/8-16 X 1 PLTD.)	2
109	101440	WASHER, HARDENED (3/8 PLTD.)	2
110	29680	SPRING WASHER	1
111	102008	CAPSCREW, HEX HEAD (3/4-10 X 1 /12 PLTD.)	1
112	29742	WASHER,ROLLER	6
113	18047	GREASE FITTING	5
114	29792	HOSE GUARD	1
115	PA8T4835	CAPSCREW, HEX HEAD (1/2-13 X 2 PLTD.)	2
137	29682	MOTOR COVER	1
138	PA5P2566	CAPSCREW, HEX HEAD (1/2-13 X 1 1/2 PLTD.)	11
139	100859	WASHER (1/2 PLTD.)	11
156	100268	S/N DATA PLATE - CARCO	1
157	70053	DRIVE SCREW	4
158	101287	UNION, 90, -6 ORFS TO -6 ORFS	1
159	101581	CAP, -6 ORFS	1
160	PA5P1076	WASHER, HARDENED (1/2 PLTD.)	2
161	29961	DRAW BAR PIN	1
162	70148	COTTER PIN (3/8 X 3)	2
---	62474	FOURTH ROLLER KIT (INCLUDES ITEMS 105, 106, 107, 110, 111, 112, 113)	1



---	29427	FERRULE - 1 IN. (25 mm)
---	29428	FERRULE - 1 1/8 (27 mm)
---	29429	FERRULE - 1 1/4 (32 mm)

FERRULES FOR USE WITH STANDARD 6 STRAND, IWRC WIRE ROPE ONLY

PACCAR WINCH DIVISION
P.O. BOX 547 BROKEN ARROW, OK U.S.A. 74013
PHONE (918) 251-8511 FAX (918) 259-1575
www.paccarwinch.com