

PARTS LIST SECTION

CARCO MODEL 80-PS, PSM AND PSC WINCH WITH INTERNAL HYDRAULICS FOR CATERPILLAR D7G AND DD TRACTOR

	Page
BEVEL GEAR SHAFT	16-17
BEVEL GEAR AND BEVEL PINION CARRIER ASSY. (PS AND PSM)	19
BEVEL GEAR AND BEVEL PINION CARRIER ASSY. (PSC)	21
BRAKE CONTROL (PS, SPRING APPLIED)	28
BRAKE CONTROL (PSM AND PSC, MANUAL)	29
BRAKE CYLINDER	30
BRAKE SHAFT, BRAKE BAND AND LINING	23
CLUTCH	18
CONTROL GROUP (CONTROL STANDS, CONTROL CABLES, PRESSURE GAUGES)	4, 5, 6, 7
CONTROL STAND COMPONENTS (POWER SHIFT)	31
CONTROL STAND COMPONENTS (PSM AND PSC, MANUAL)	34
CONTROL STAND COMPONENTS (FREE SPOOL)	32-33
CONTROL VALVE	10-11
DRUM SHAFT STANDARD (NO FREE SPOOL)	25
DRUM SHAFT (WITH FREE SPOOL)	26-27
FAIRLEAD	37
HYDRAULIC TUBING AND FITTINGS	12-13
IDLER SHAFT (NO FREE SPOOL)	24
IDLER SHAFT (WITH FREE SPOOL)	26-27
MOUNTING GROUP (PTO SHAFT, STUDS, CAP SCREWS)	3
PUMP GROUP (PUMP, TUBING, FILTER)	14-15
PRESSURE GAUGE KIT COMPONENTS	35-36
WINCH CASE	8-9

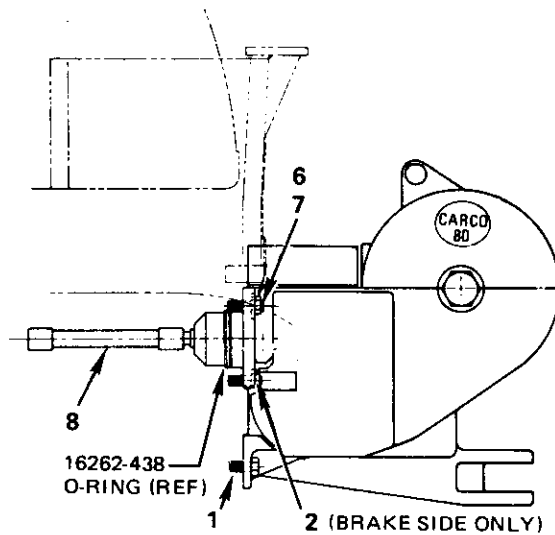
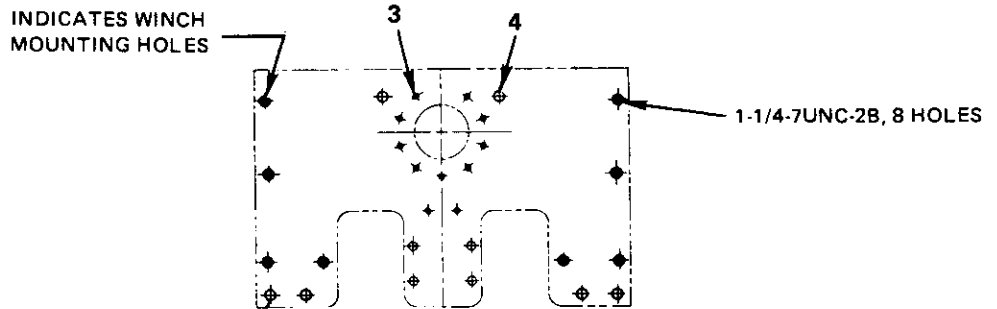
Note: Purchased parts, such as bearings and oil seals may be substituted with parts of equal quality on the manufacturer's recommendation, and with the approval of Pacific Car and Foundry Company.

ATTENTION: Be sure to give correct part number, part name and complete serial number of winch when ordering. Also name and model of the tractor on which the winch is mounted

CARCO
WINCH PRODUCTS

PACIFIC CAR AND FOUNDRY COMPANY • A DIVISION OF PACOR
1400 NORTH FOURTH STREET, RENTON, WASHINGTON 98055 U.S.A.
TELEPHONE: (206) 235-2799 TELEEX 32-8942

CARCO MODEL 80-PS, PSM & PSC WINCH
MOUNTING GROUP PARTS LIST—PAGE 3
CATERPILLAR D7G PS & DD TRACTOR

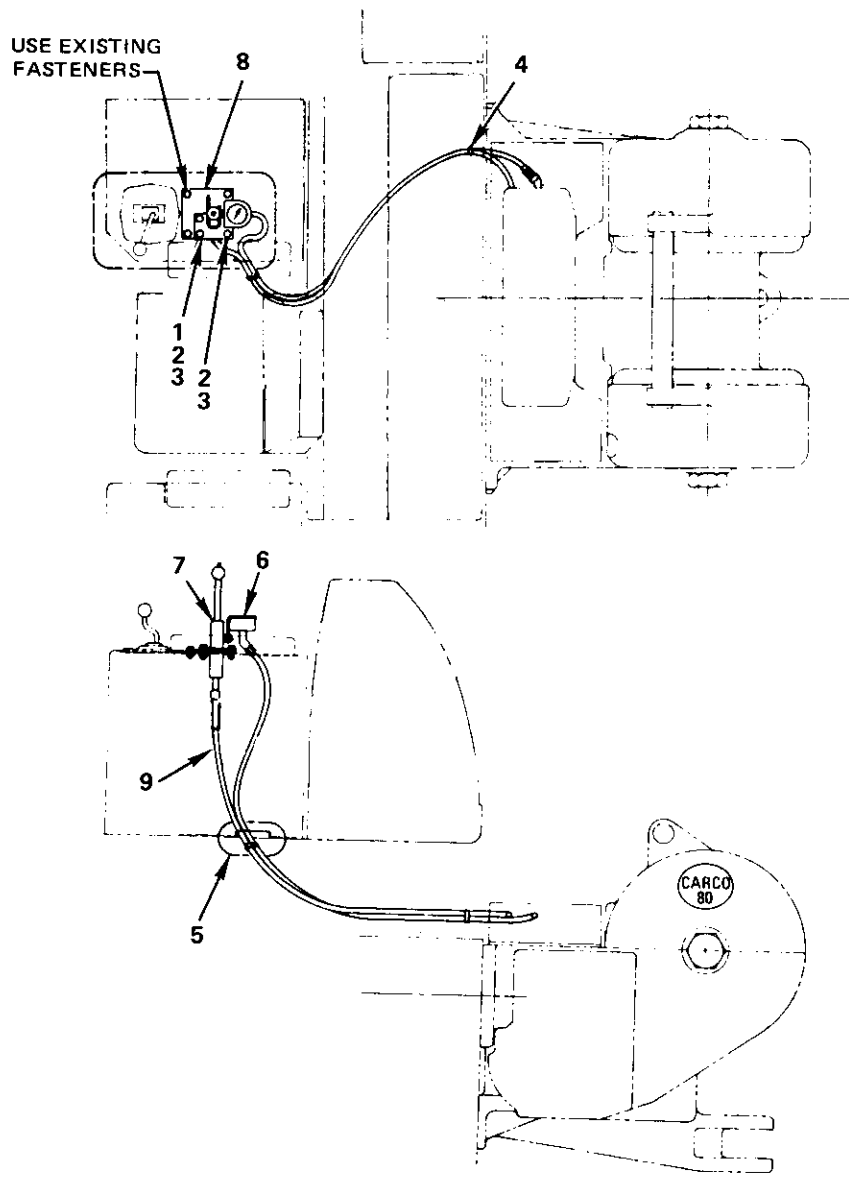


MOUNTING GROUP NO. 52254

REF.	CARCO PART NO.	NAME AND DESCRIPTION	QUAN. PER UNIT
1	16047-2016	Cap Screw, 1-1/4 UNC x 2 H.H.	4
2	16049-2020	Cap Screw, 1-1/4 UNC x 2-1/2 Hex. Soc. Hd.	1
3	16220-6	Closure, CAPLUG 5X Type A	9
4	16220-24	Closure, CAPLUG 14 Type A	6
5	16242-56	Allen Wrench, 7/8 (Not shown)	1
6	16400-20	Nut, 1-1/4 UNC Hex.	3
7	45050-2032	Stud	3
* 8	See Below	PTO Shaft Assembly	1

* D7G P.S. Tractor use 45764-9 PTO Shaft Assembly
* D7G D.D. Tractor use 45764-3 PTO Shaft Assembly

CARCO MODEL 80-PS WINCH
 CONTROL GROUP PARTS LIST—PAGE 4
 CATERPILLAR D7G PS & DD TRACTOR

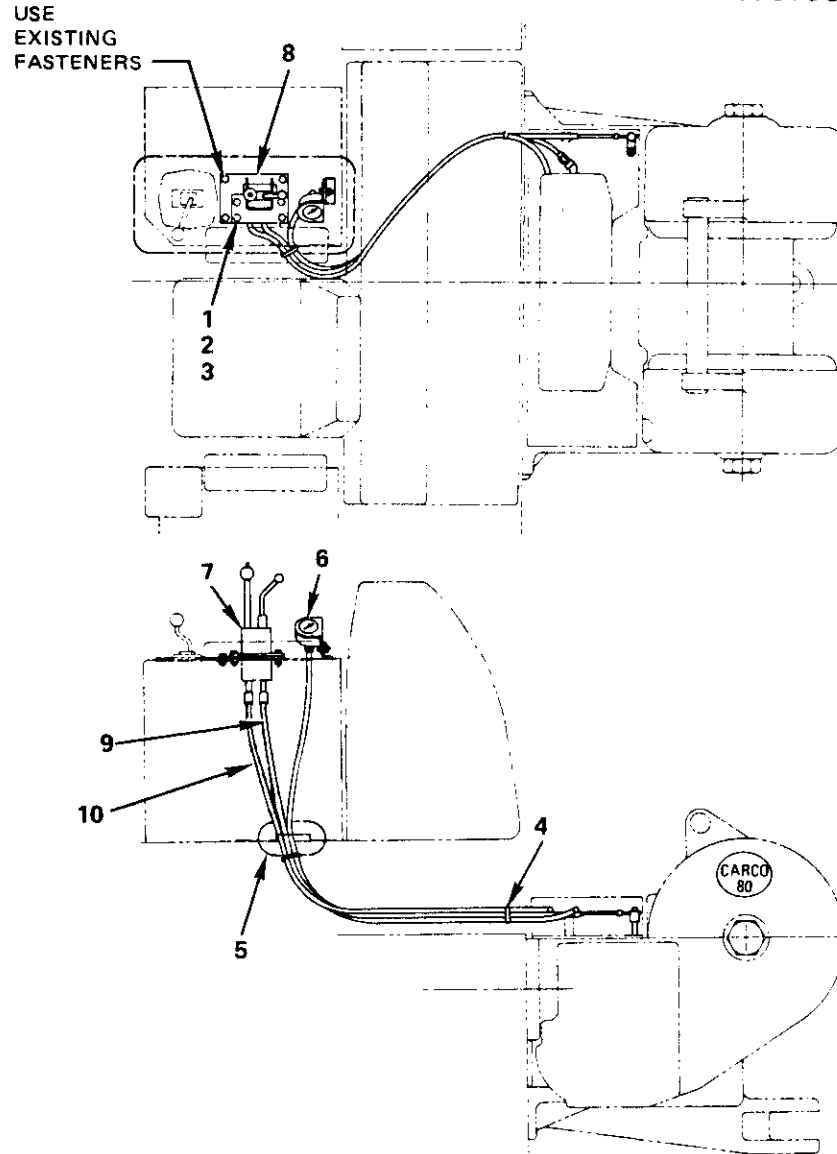


CONTROL GROUP (P.S. WITHOUT FREE SPOOL) NO. 52250

REF.	CARCO PART NO.	NAME AND DESCRIPTION	QUAN. PER UNIT
1	16033-6	Nut, 3/8 UNC Hex.	3
2	16047-608	Cap Screw, 3/8 UNC x 1 H.H.	4
3	16067-6	Lock Washer, 3/8	4
4	16459-1	Retaining Strap, ADEL 668-4-8-DR	2
5	45418-10	Trim	1
6	48700-120	Pressure Gauge Kit	1
7	49001-3	Control Stand, Power Shift	1
8	50709	Control Stand Bracket	1
9	52000-096	Control Cable, Power Shift	1

NOTE: See page 28 for brake control group.

CARCO MODEL 80-PS WINCH
 CONTROL GROUP PARTS LIST—PAGE 5
 CATERPILLAR D7G PS & DD TRACTOR

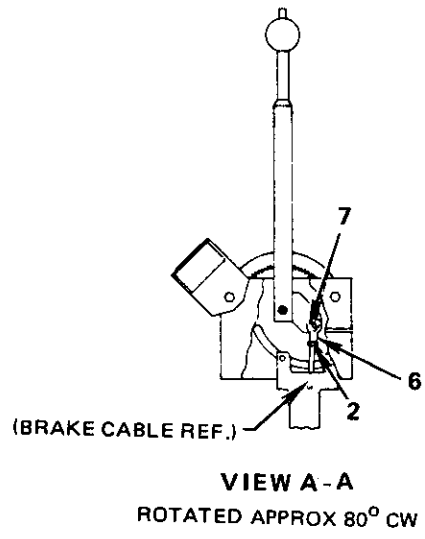
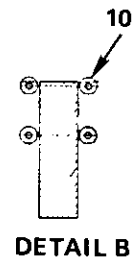
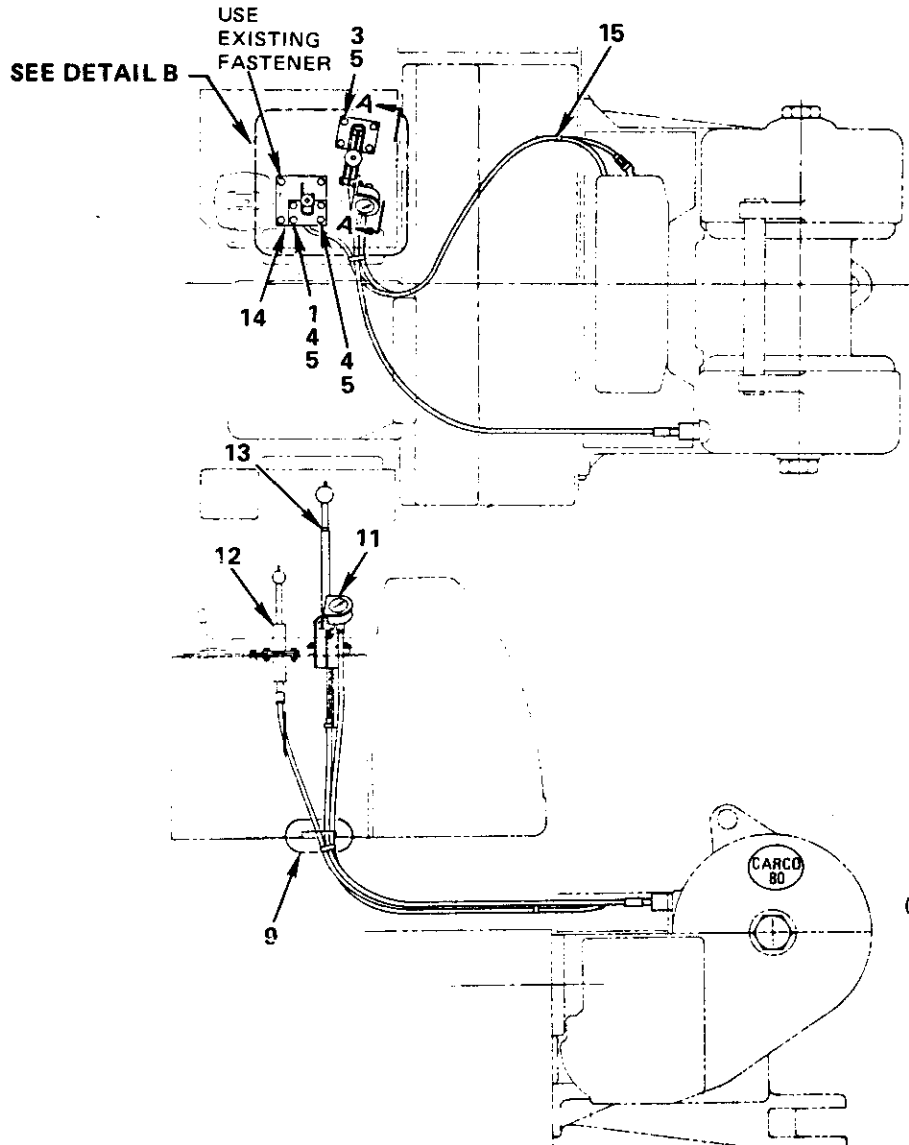


CONTROL GROUP (P.S. WITH FREE SPOOL) NO. 52251

REF.	CARCO PART NO.	NAME AND DESCRIPTION	QUAN. PER UNIT
1	16033-6	Nut, 3/8 UNC Hex.	5
2	16047-608	Cap Screw, 3/8 UNC x 1 H.H.	5
3	16067-6	Lock Washer, 3/8	5
4	16459-1	Retaining Strap, ADEL 668-4-8-DR	2
5	45418-10	Trim	1
6	48944-120	Pressure Gauge Kit	1
7	49805-6	Control Stand, Power Shift and Free Spool	1
8	50990	Control Stand, Bracket	1
9	52000-090	Control Cable, Free Spool	1
10	52000-096	Control Cable, Power Shift	1

NOTE: See page 28 for brake control group.

CARCO MODEL 80-PSM & PSC WINCH
 CONTROL GROUP PARTS LIST—PAGE 6
 CATERPILLAR D7G PS & DD TRACTOR

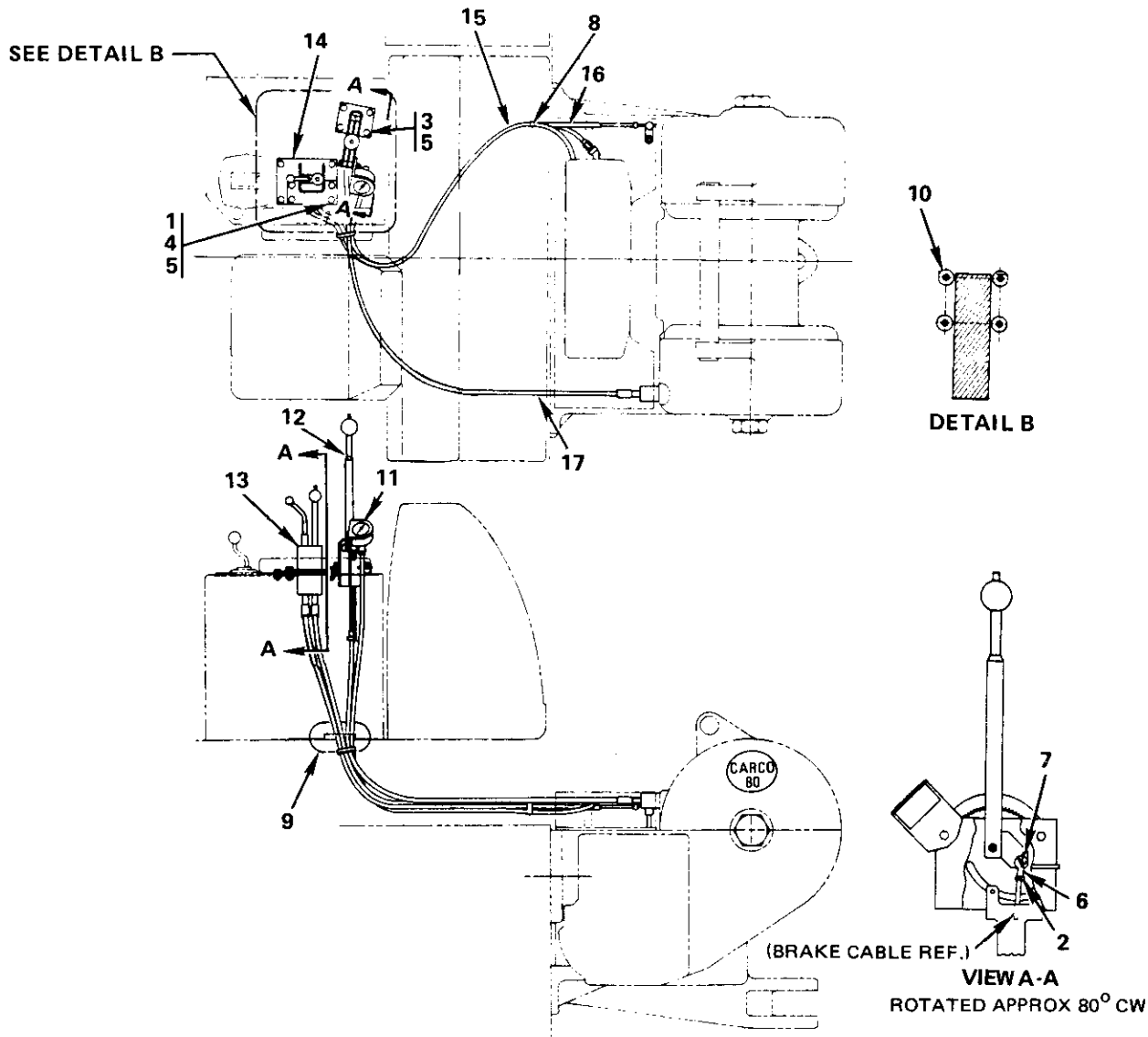


CONTROL GROUP (PSM & PSC WITHOUT FREE SPOOL) NO. 52252

REF.	CARCO PART NO.	NAME AND DESCRIPTION	QUAN. PER UNIT
1	16033-6	Nut, 3/8 UNC Hex	3
2	16044-6	Jam Nut, 3/8 UNF Hex	1
3	16047-606	Cap Screw, 3/8 UNC x 3/4 H.H.	4
4	16047-608	Cap Screw, 3/8 UNC x 1 H.H.	4
5	16067-6	Lock Washer, 3/8	8
6	16245-6	Yoke, CLEVELAND 2708-4A	1
7	16246-6	Pin Assembly, CLEVELAND 2708-1/2-4A	1
8	16459-1	Retaining Strap, ADEL 668-4-8-DR	2
9	45418-10	Trim	1
10	48290	Tapping Pad	4
11	48700-120	Pressure Gauge Kit	1
12	49001-3	Control Stand, Power Shift	1
13	49434-7	Control Stand, Brake	1
14	50709	Control Stand, Bracket	1
15	52000-096	Control Cable, Power Shift	1
16	48850-102	Control Cable, Brake	1

NOTE: See page 29 for brake control group.

CARCO MODEL 80-PSM & PSC WINCH
 CONTROL GROUP PARTS LIST—PAGE 7
 CATERPILLAR D7G PS & DD TRACTOR

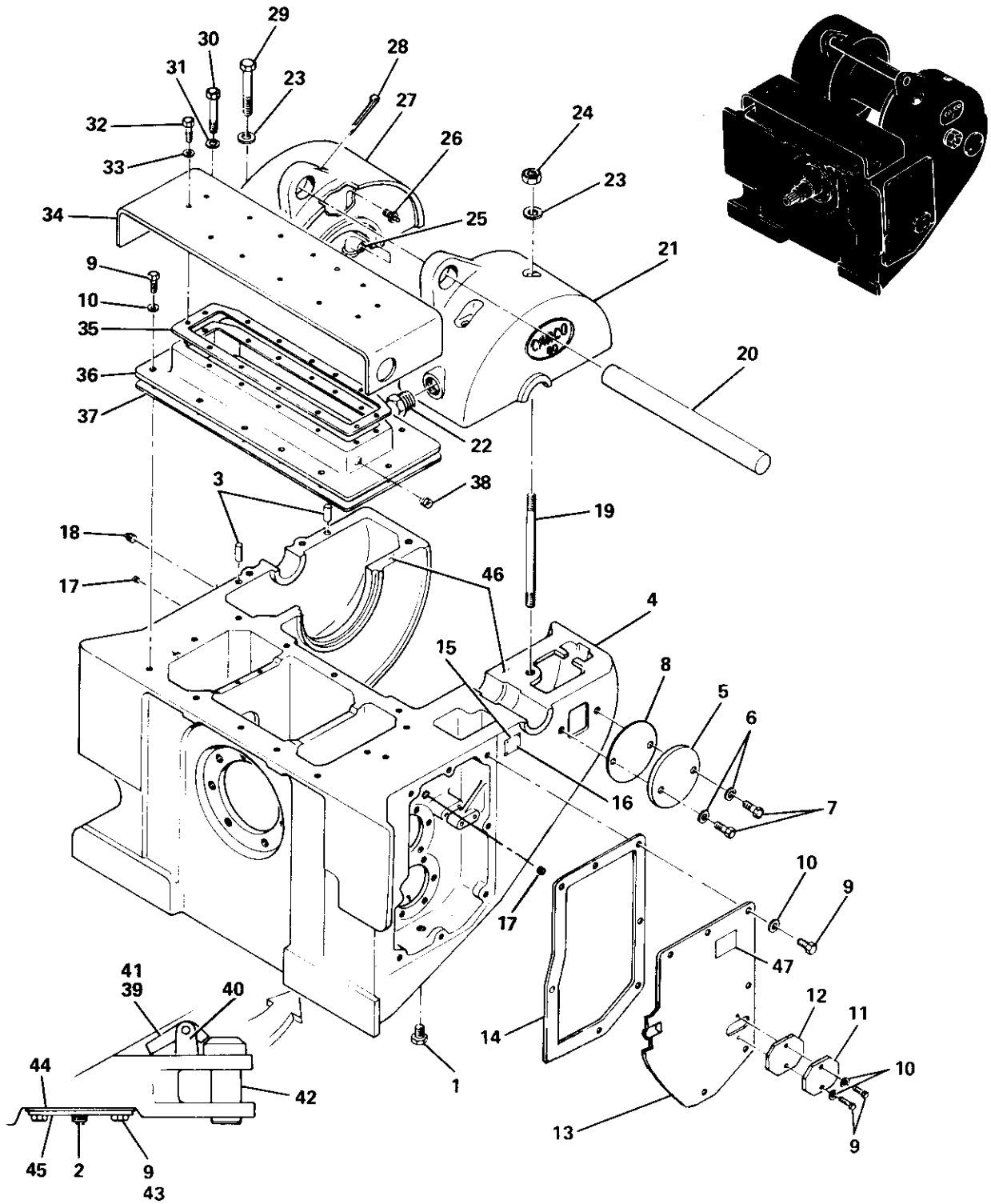


CONTROL GROUP (PSM & PSC WITH FREE SPOOL) NO. 52253

REF.	CARCO PART NO.	NAME AND DESCRIPTION	QUAN. PER UNIT
1	16033-6	Nut, 3/8 UNC Hex	5
2	16044-6	Jam Nut, 3/8 UNF Hex	1
3	16047-606	Cap Screw, 3/8 UNC x 3/4 H.H.	4
4	16047-608	Cap Screw, 3/8 UNC x 1 H.H.	5
5	16067-6	Lockwasher, 3/8	9
6	16245-6	Yoke, CLEVELAND 2708-4A	1
7	16246-6	Pin Assembly, CLEVELAND 2708-1/2-4A	1
8	16459-1	Retaining Strap, ADEL 668-4-8-DR	2
9	45418-10	Trim	1
10	48290	Tapping Pad	4
11	48700-120	Pressure Gauge Kit	1
12	49434-7	Control Stand, Brake	1
13	49805-5	Control Stand, Power Shift and Free Spool	1
14	50990	Control Stand, Bracket	1
15	52000-096	Control Cable, Power Shift	1
16	52000-090	Control Cable, Free Spool	1
17	48850-102	Control Cable, Brake	1

NOTE: See page 29 for brake control group.

CARCO MODEL 80-PS, PSM & PSC WINCH
PARTS LIST SECTION—PAGE 8
WINCH CASE
CATERPILLAR D7G PS & DD TRACTOR



WINCH CASE

CARCO MODEL 80-PS, PSM & PSC WINCH
PARTS LIST SECTION—PAGE 9
WINCH CASE
CATERPILLAR D7G PS & DD TRACTOR

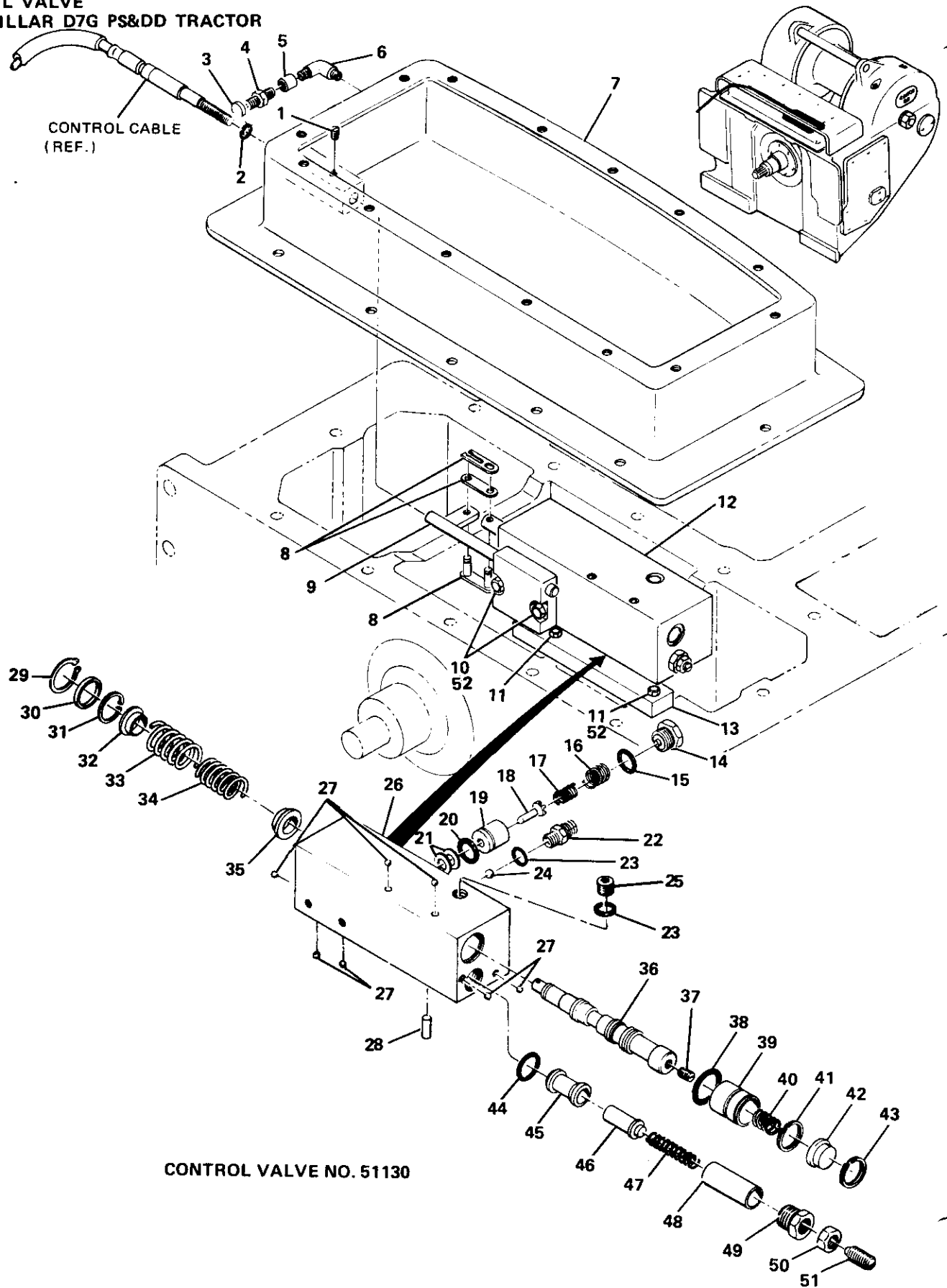
REF.	CARCO PART NO.	NAME AND DESCRIPTION	QUAN. PER UNIT	
1	16169-8	Plug, 1/2 NPT Sq. Hd.	1	
2	16168-16	Plug, 1 NPTF Mag. Sq. Hd.	1	
3	16290-2016	Dowel Pin, 5/8 x 1	2	
*	4	51902	Case Complete (includes items 12 and 14)	1
5	42048	Cover	1	
6	16064-10	Washer, 5/8	1	
7	16047-1008	Cap Screw, 5/8 UNC x 1 H.H.	2	
8	44833	Gasket	1	
9	16047-810	Cap Screw, 1/2 UNC x 1-1/4 H.H.	25	
10	16064-8	Washer, 1/2"	25	
11	44810	Cover	1	
12	44814	Gasket	1	
13	52685-1	Brake Side Cover	1	
**	14	See Below	Gasket (See note below)	1
15	52126	Name Plate	1	
16	16055-5	Drive Screw, #10 x 3/8 Type U	1	
17	16167-6	Plug, 3/8 NPT Hex Soc.	2	
18	16169-20	Plug, 1-1/4 NPT Sq. Hd.	1	
19	45050-1856	Stud	2	
20	49043-2	Cable Guard (includes item 28)	1	
*	21	44148	Brake Case Cover	1
22	16220-38	Plug, WHITE 1604-136-Y	1	
23	16064-18	Washer, 1-1/8	4	
24	16033-18	Nut, 1-1/8 UNC Hex	1	
25	16150-2	Elbow, 1/8 NPT 90° Street	1	
26	16249-1	Relief Plug, ALEMITE 317400	1	
*	27	44147	Gear Case Cover	1
28	16288-1272	Cotter Pin, 3/8 x 4-1/2	1	
29	16047-1834	Cap Screw, 1-1/8 UNC x 4-1/2 H.H.	2	
30	16047-1232	Cap Screw, 3/4 UNC x 4 H.H.	4	
31	16064-12	Washer, 3/4	4	
32	16047-608	Cap Screw, 3/8 UNC x 1 H.H.	14	
33	16064-6	Washer, 3/8	14	
34	51166	Valve Housing Cover	1	
35	51535	Gasket	1	
36	Ref. Only	Housing (see page 10 item 7)	1	
37	51145	Gasket	1	
38	16525-0024	Pipe Plug, HITACHI, 81-40576 Sq. Hd. Slotted	1	
39	16246-8	Yoke Pin Assembly, CLEVELAND 2708½-6A	1	
40	52084	Support Bracket	1	
41	52085	Latch	1	
42	52037	Drawbar Pin	1	
43	16067-8	Lock Washer, 1/2	14	
44	51949	Filter Cover Gasket	1	
45	51950	Filter Cover	1	
**	46	16453-5	Sealant (not shown) DOW-CORNING Silastic No. 732 RTV 5 oz. tube	1
***	47	See Below	Name Plate	1

* Items 4, 21 and 27 cannot be ordered separately

** Model 80 winches do not use a gasket. Use Silastic Sealer, Item 46 or equivalent to seal items 13, 21 and 27 to case.

*** { 49044 Instruction Plate for PS Winch.
48684 Instruction Plate for PSM & PSC Winch.

CARCO MODEL 80-PS, PSM & PSC WINCH
 PARTS LIST SECTION—PAGE 10
 CONTROL VALVE
 CATERPILLAR D7G PS&DD TRACTOR



CARCO MODEL 80-PS, PSM & PSC WINCH
PARTS LIST SECTION—PAGE 11
CONTROL VALVE

REF.	CARCO PART NO.	NAME AND DESCRIPTION	QUAN. PER UNIT
1	16056-612	Set Screw, 3/8 UNC x 3/4 Hex Soc. Cup Pt.	1
2	16262-115	O-Ring, NAT'L. 622713	1
3	16445-4	Cap Nut, AEROQUIP 21029-4	1
4	16129-44	Connector, WTHRD. C5205 x 4 x 4	1
5	16362-44	Snubber, CHEMIQUIP 25B-D	1
6	16171-44	Elbow, WTHRD. 3400 x 4	1
7	51125-080	Valve Housing	1
8	16364-2040	Connecting Link, ANSI 2040	1
9	51865	Cable Guide	1
10	16047-610	Cap Screw, 3/8 UNC x 1-1/4 H.H.	2
11	16047-612	Cap Screw, 3/8 UNC x 1-1/2 H.H.	2
12	51130	Control Valve	1
13	51698-1	Support Assembly	1
14	51883-1	Retainer Assembly	1
15	16262-912	O-Ring, NAT'L. 600501	1
16	51894	Spring	1
17	52392	Spring	1
18	51164	Accumulator Check Piston	1
19	51886	Seat	1
20	16262-116	O-Ring, NAT'L. 622714	1
21	51881-10	Shim Set	1
22	52289	Connector (Also shown on page 13)	1
23	16262-908	O-Ring, NAT'L. 600503 (Also shown on page 13)	2
24	16471-8	Ball Check, Nylon Type 101 (Shown on page 13)	1
25	16496-8	Plug, PARKER 8HP50N-2	1
*	26	Valve Body	1
27	16217-8	Steel Ball, 1/2	7
28	16290-814	Dowel Pin, 1/4 x 7/8	1
29	16314-150	Retaining Ring, TRUARC N5000-150	1
30	45622	Washer	1
31	16313-75	Retaining Ring, TRUARC 5100-75	1
32	45623	Spring Stop	1
33	45549	Outer Spring	1
34	45548	Inner Spring	1
35	44259-1	Spring Stop	1
*	36	Valve Spool (See note and kit No. below)	1
37	16057-608	Set Screw, 3/8 UNF x 1/2 Hex Soc. Cup Pt.	1
*	38	O-Ring, NAT'L. 622720	1
*	39	Piston (See note and kit No. below)	1
40	45857	Spring	1
41	16308-131	Retaining Ring, SPIROLOX RS-131	1
42	51154	Spring Stop	1
43	16305-157	Retaining Ring, SPIROLOX RR-157	1
44	16262-210	O-Ring, NAT'L. 622715	1
**	45	Relief Valve Seat	1
**	46	Relief Valve Piston	1
47	52719	Spring, LEMPCO 9-1016-2	1
**	48	Relief Valve Tube	1
49	51133	Retaining Screw	1
50	16044-12	Jam Nut, 3/4 UNF Hex	1
51	51135	Adjusting Screw	1
52	16064-6	Washer, 3/8	2

*Items 26, 36 and 39 not serviced separately. Order 51130 Control Valve.

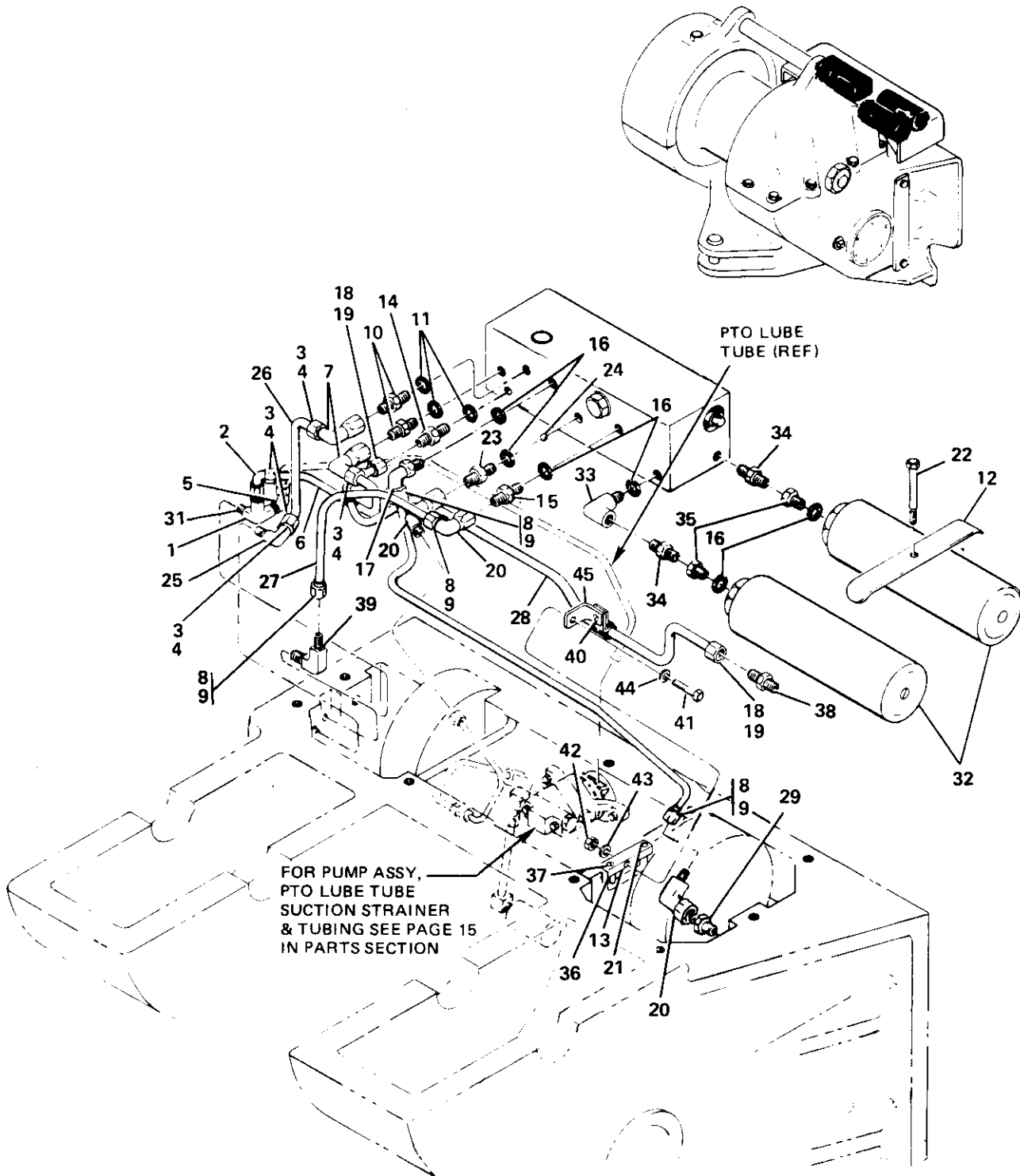
**Available in kit only. See No. 52652 kit below.

NOTE: To service valve spool, order repair kit No. 52651 consisting of items 24, 29, 31, 33, 34, 37, 38, 40, 41 and 43.

To service relief valve, order repair kit No. 52652 consisting of items 44, 45, 46, 47 and 48.

To service accumulator check valve, order repair kit No. 52653 consisting of items 15, 16, 17, 18, 19, 20 and 21.

CARCO MODEL 80-PS, PSM & PSC WINCH
 PARTS LIST SECTION—PAGE 12
 HYDRAULIC TUBING & FITTINGS



**NOTE: PUMP MOUNTED ON BRAKE SIDE, NO. 51926-3.
 BEVEL GEAR INSTALLED ON GEAR SIDE OF BEVEL PINION.
 BEVEL PINION ROTATION IS C.C.W. AS VIEWED FROM REAR
 OF TRACTOR.**

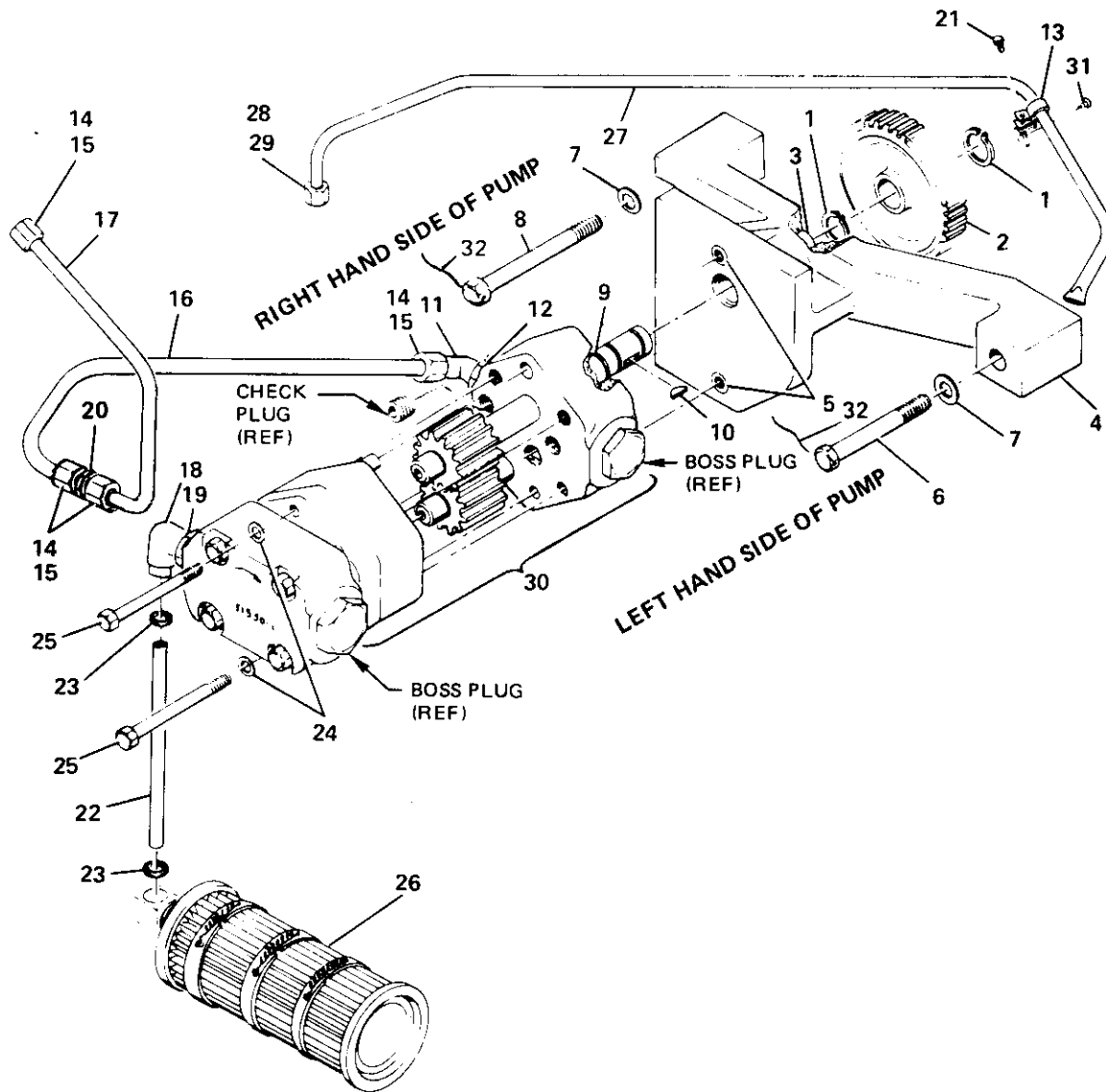
HYDRAULIC TUBING AND FITTINGS NO. 51336

CARCO MODEL 80-PS, PSM & PSC WINCH
PARTS LIST SECTION—PAGE 13
HYDRAULIC TUBING & FITTINGS

REF.	CARCO PART NO.	NAME AND DESCRIPTION	QUAN. PER UNIT
1	16497-0004	Elbow, GRINELL 1109	1
2	16137-0064	Elbow, WTHRD. 7405 x 6	1
3	16521-6	Nut, PARKER BU6	4
4	16522-6	Sleeve, PARKER TU6	4
5	16137-44	Elbow, WTHRD. 7405 x 4 x 4	1
6	51957-05	Brake Return Tube	1
7	16485-0006	Elbow, WTHRD. 7506 x 6	2
8	16521-8	Nut, PARKER BU8	4
9	16522-8	Sleeve, PARKER TU8	4
10	16481-0006	Connector, WTHRD. 7315 x 6	2
11	16262-906	O-Rings, NAT'L. 600593	3
12	51869	Clamp	1
13	51868	Plate	1
14	16481-0046	Connector, WTHRD. 7315 x 4 x 6	1
15	16481-8	Connector, WTHRD. 7315 x 8	1
* 16	16262-908	O-Ring, NAT'L. 600503	6
17	16476-8	Elbow, 7515 x 8	1
18	16521-4	Nut, PARKER BU4	2
19	16522-4	Sleeve, PARKER TU4	2
20	16485-0008	Elbow, WTHRD. 7506 x 8	3
21	16047-407	Cap Screw, 1/4 UNC x 7/8 H.H.	1
22	16357-0820	Shoulder Screw, 3/8 UNC x 2-1/2 Hex Soc. Hd.	1
* 23	52289	Connector	1
* 24	16471-8	Ball Check, Nylon Type 101	1
25	16137-0066	Elbow, WTHRD. 7405 x 6 x 6	1
26	51957-02	Brake Pressure Tube	1
27	51958-08	Forward Clutch Tube	1
28	51956-01	Pressure Gauge Tube	1
29	16482-0086	Connector, WTHRD. 7205 x 8	1
30	51958-11	Reverse Clutch Tube	1
31	16158-412	Nipple, 1/4 NPT x 1-1/2	1
32	16475-2	Accumulator, GREER 5-30RSC-S-1/2	2
33	16498-0086	Elbow, WTHRD. C3459 x 8	1
34	16160-06	Nipple, WTHRD. C3069 x 6	2
35	16114-0086	Adapter, WTHRD. C3269 x 8 x 6	2
36	46126-407	Spacer	1
37	16047-414	Cap Screw, 1/4 UNC x 1-3/4 H.H.	1
38	16482-0044	Connector, WTHRD. 7205 x 4 x 4	1
39	16137-0086	Elbow, WTHRD. 7405 x 8	1
40	16021-3	Machine Screw, 10-24 UNC x 5/8 Rd. Hd.	1
41	16021-12	Machine Screw, 10-24 UNC x 1-1/2 Rd. Hd.	1
42	16033-1024	Nut, 10-24 UNC Hex	1
43	16069-3	Star Washer, #10 Ext. Tooth	1
44	16077-3	Washer, 3/16	1
45	16520-01	Swivel Clamp, ADEL 1789-X44	1

*These items also shown with control valve, page 11.

CARCO MODEL 80-PS, PSM & PSC WINCH
 PARTS LIST SECTION—PAGE 14
 PUMP GROUP



NOTE: ROTATION C.C.W. AS VIEWED FROM SHAFT END OF PUMP.
 PORT LOCATIONS, RIGHT HAND SIDE.
 CHECK PLUG AND END CAP LOCATION, RIGHT HAND SIDE.
 BEVEL GEAR INSTALLED ON GEAR SIDE OF BEVEL PINION.

PUMP GROUP NO. 51926-3

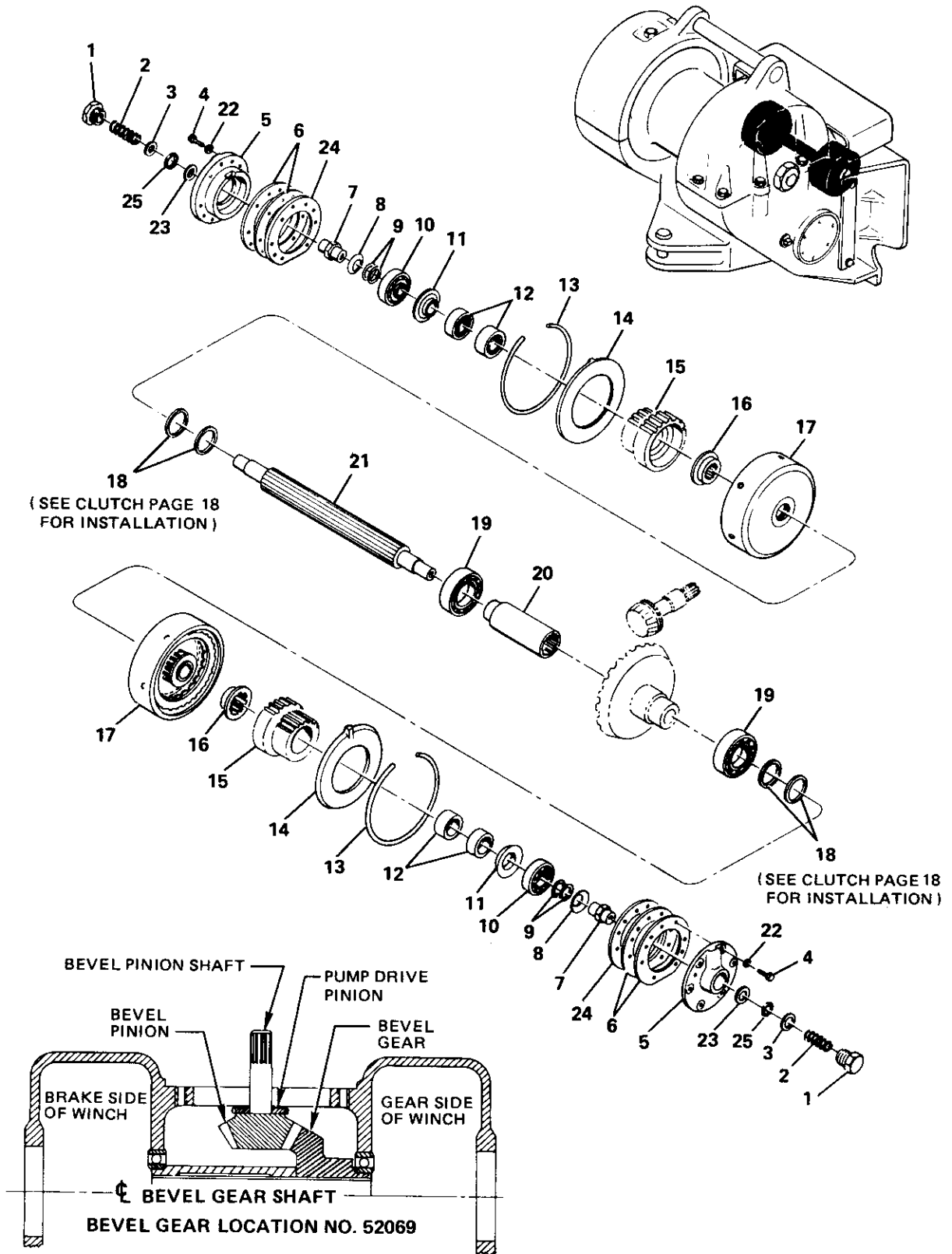
CARCO MODEL 80-PS, PSM & PSC WINCH
 PARTS LIST SECTION—PAGE 15
 PUMP GROUP

REF.	CARCO PART NO.	NAME AND DESCRIPTION	QUAN. PER UNIT
1	16313-62	Retaining Ring, TRUARC 5100-62	2
2	51056	Gear	1
3	15305	Needle Bearing	1
* 4	51525-1	Mount Assembly (Includes Items 3 and 5)	1
5	16507-0003	Threaded Insert	2
6	16024-15	Cap Screw, 3/8 UNC x 1-3/4 Dr. Hd.	1
7	16348-1	Washer, CARR LANE CL-1-FW	2
8	16024-16	Cap Screw, 3/8 UNC x 2-1/4 Dr. Hd.	1
9	16284-95	Pump Shaft Seal, WEBSTER 151-35818	1
10	16226-7	Key, WOODRUFF No. 3, 1/8 x 1/2	1
11	16476-8	Elbow, WTHRD. 7515 x 8	1
12	16262-908	O-Ring, NAT'L. 600503	1
13	16520-01	Swivel Clamp, ADEL 1789-X4-4	1
14	16521-8	Nut, PARKER BU8	4
15	16522-8	Sleeve, PARKER TU8	4
16	51958-14	Pump Tube	1
17	51958-04	Pressure Tube	1
18	16474-12	Elbow, LENZ A-405-12	1
19	16262-912	O-Ring, NAT'L. 600501	1
20	16511-08	Union, WTHRD. 7305 x 8	1
21	16021-3	Screw, 10-24 UNC x 5/8 Rd. Hd.	1
22	51959-54	Suction Tube	1
23	16262-116	O-Ring, NAT'L. 622714	2
24	16069-4	Lock Washer, 1/4 Ext. Tooth	2
25	16047-428	Cap Screw, 1/4 UNC x 3-1/2 H.H.	2
26	16473	Filter, MARVEL 620-5-M-200	1
27	51956-09	PTO Lube Tube	1
28	16521-4	Nut, PARKER BU4	1
29	16522-4	Sleeve, PARKER TU4	1
** 30	51530-1	Pump (See Below)	1
31	16055-12	Tapping Screw, 1/4 x 3/4 Type F Fl. Hd.	1
32	48125-2	Wire, 16 Ga. x 18"	1

*Item 4 is part of 51529-3 pump assembly.

**No pump parts other than items 9 and 10 are serviceable items. Order 51530-1 pump.

CARCO MODEL 80-PS, PSM & PSC WINCH
 PARTS LIST SECTION—PAGE 16
 BEVEL GEAR SHAFT

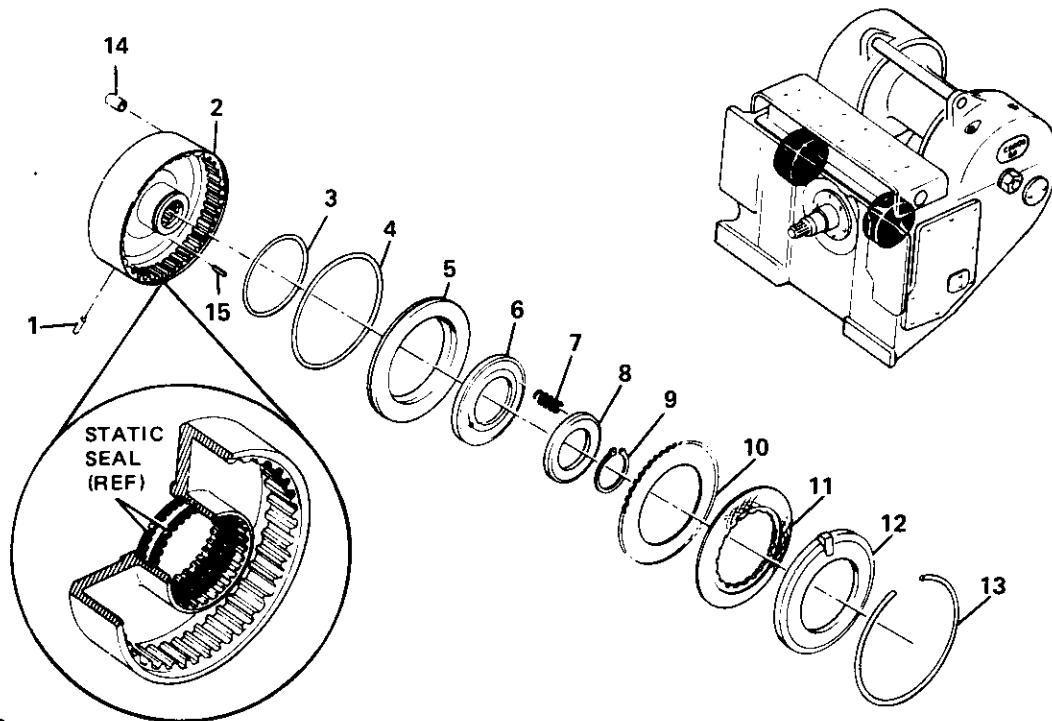


BEVEL GEAR SHAFT GROUP NO. 52188

CARCO MODEL 80-PS, PSM & PSC WINCH
PARTS LIST SECTION—PAGE 17
BEVEL GEAR SHAFT

REF.	CARCO PART NO.	NAME AND DESCRIPTION	QUAN. PER UNIT
1	16166-20	Plug, PARKER 05P0-20	2
2	44753	Spring	2
3	44949	Seal (includes item 25)	2
4	16047-810	Cap Screw, 1/2 UNC x 1-1/4 H.H.	12
5	44165	Retainer	2
6	44185	Shim Set	2
7	{ 41742 53221	{ Shaft, S.N. 8-1228 & Below Shaft, S.N. 8-1229 & Up	2
8	44198	Clamp Ring	2
9	44336	Shim Set	2
10	{ 15150 15152	{ Bearing Cup Bearing Cone	2
11	44851	Thrust Washer	2
12	15254	Bearing Set (Matched)	2
13	44173	Retaining Ring	2
14	44858	Retaining Ring	2
15	48861	Pinion	2
16	44825	Thrust Washer	2
17	51273-1	Clutch (See Page 18 for clutch parts, includes items 13 and 14.)	2
18	44167	Static Seal	4
19	15037	Ball Bearing	2
20	44245	Spacer	1
21	{ 44164 53626	{ Shaft, S.N. 8-1228 & Below Shaft, S.N. 8-1229 & Up	1
22	16064-8	Washer, 1/2	12
23	44940	Washer	2
24	44185-4	Gasket	2
25	16262-121	O-Ring, NAT'L. 610067	2

CARCO MODEL 80-PS, PSM & PSC WINCH
 PARTS LIST SECTION—PAGE 18
 CLUTCH

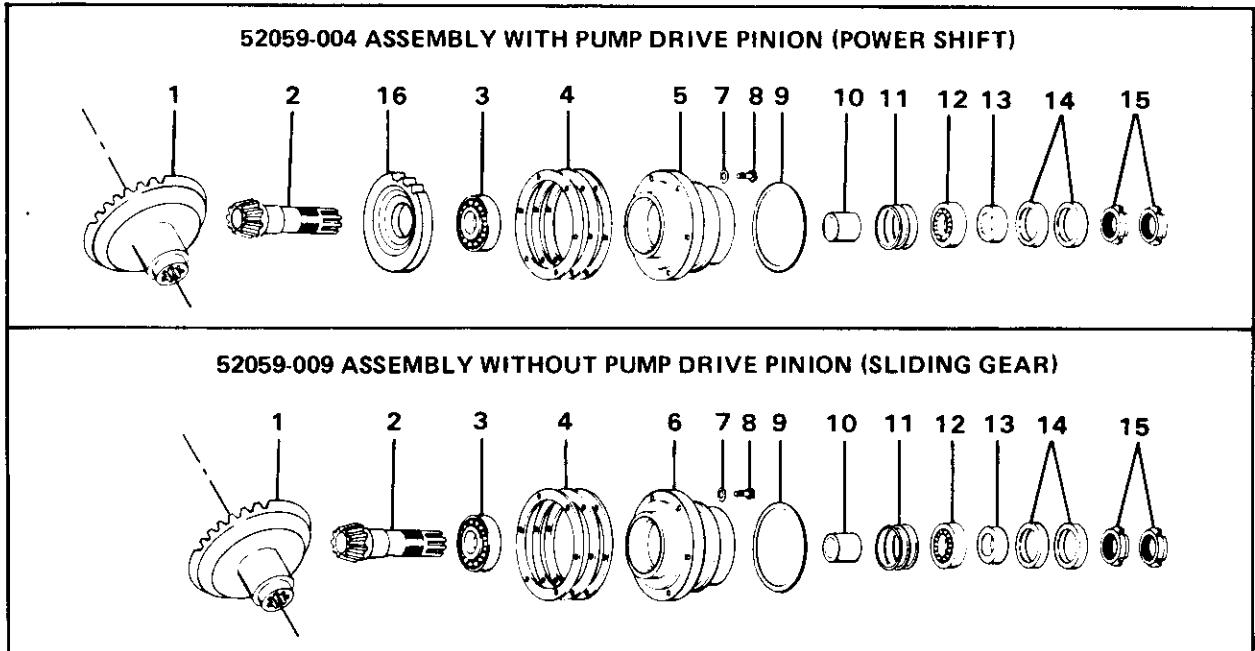


NOTE:
 ALL RELATED CLUTCH PARTS
 NOT SHOWN MUST BE ORDERED
 FROM PAGE 17.

CLUTCH NO. 51273-1

REF.	CARCO PART NO.	NAME AND DESCRIPTION	QUAN. PER CLUTCH
1	16290-1208	Dowel, 3/8 x 1/2	1
2	51272-1	Housing (includes items 1 and 14)	1
3	46244	Seal	1
4	46245	Seal	1
5	44855	Piston	1
6	44861	Return Ring	1
7	44859	Spring	16
8	44172	Retainer	1
9	16313-325	Retaining Ring, TRUARC 5100-325	1
10	46132	Steel Disc (External splines)	5
11	46131	Friction Disc (Internal splines)	4
12	44858	Retaining Ring	1
13	44173	Retaining Ring	1
14	52592	Seat Assembly	1
15	16295-1432	Pin, SPIROL 437-2000-H-B-K	1

PS & PSM BEVEL GEAR AND BEVEL PINION CARRIER ASSEMBLIES



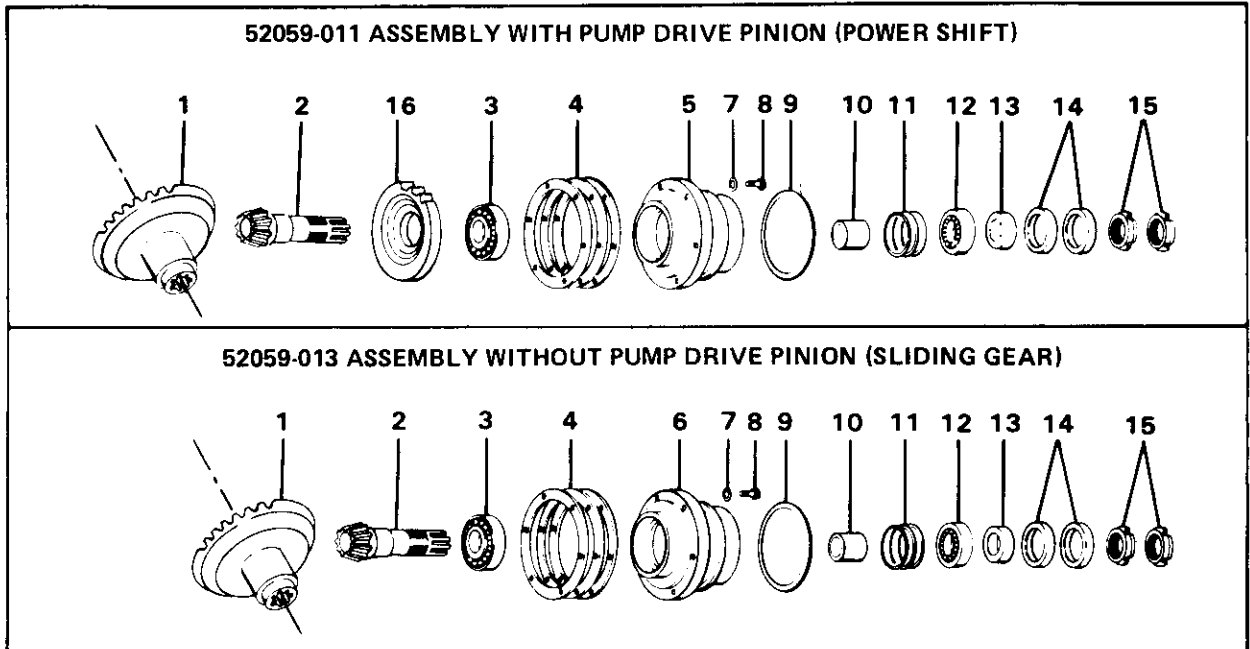
GEAR SET NO. 52059-104 RATIO 1.61/1

REF.	CARCO PART NO.	NAME AND DESCRIPTION	52059-004 QUAN. PER UNIT	52059-009 QUAN. PER UNIT
1	50842	Bevel Gear (37 Teeth)	1	1
2	50841	Bevel Pinion (23 Teeth)	1	1
3	{ 15156	Tapered Roller Bearing Cup	1	1
	{ 15158	Tapered Roller Bearing Cone	1	1
4	16237	Shim Set, TIMKEN No. 29	1	1
5	51350	Carrier (P.S. Winch)	1	Not Used
6	44244	Carrier (S.G. Winch)	Not Used	1
7	16064-8	Washer, 1/2	6	6
8	16047-810	Cap Screw, 1/2 UNC x 1-1/4 H.H.	6	6
9	16262-438	O-Ring, NAT'L. 622765	1	1
10	45087-5	Spacer	1	1
11	45089	Shim Set	1	1
12	{ 15173	Tapered Roller Bearing Cup	1	1
	{ 15174	Tapered Roller Bearing Cone	1	1
13	44243	Sleeve	1	1
14	16343-11	Oil Seal, NAT'L. 455079	2	2
15	16041-10	Lock Nut, TIMKEN N-10	2	2
16	51054 69362	Pump Drive Pinion	1	Not Used

NOTE: The Bevel Gear Set above is standard for the adaption indicated. Below are optional gear combinations to provide a range of line speeds and pulls for various winching requirements. Important - Prior to ordering or quoting on any optional Bevel Gear Set be sure to check with factory on availability, and if the gear set would be recommended for the application.

GEAR SET NO.	BEVEL GEAR		BEVEL PINION		RATIO
	Part No.	Teeth	Part No.	Teeth	
52059-106	52288	40	50829	13	3.08/1
52059-101	50832	40	50831	13	3.08/1
52059-107	50850	40	50849	16	2.50/1
52059-102	50836	40	50835	16	2.50/1
52059-103	50839	39	50838	20	1.95/1
52059-105	50845	30	50844	28	1.07/1

PSC BEVEL GEAR AND BEVEL PINION CARRIER ASSEMBLIES

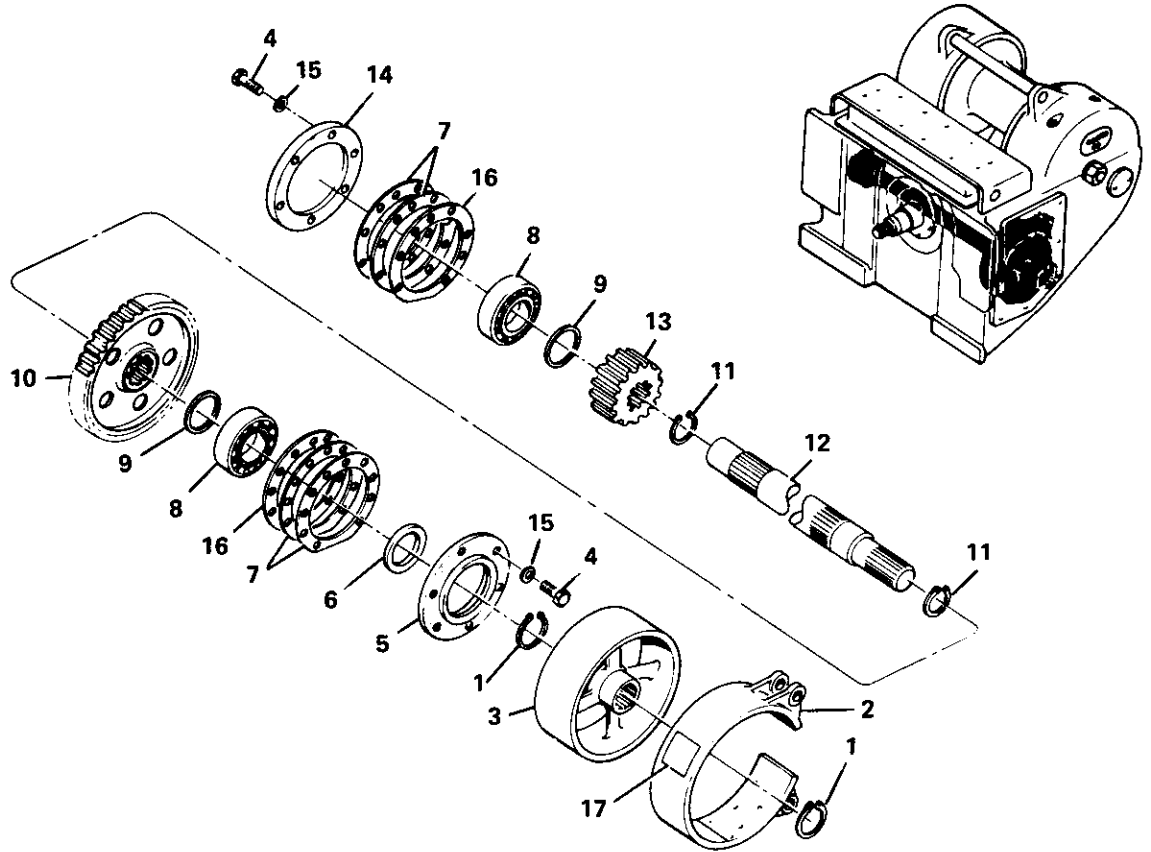


GEAR SET NO. 52059-106 RATIO 3.08/1

REF.	CARCO PART NO.	NAME AND DESCRIPTION	52059-011 QUAN. PER UNIT	52059-013 QUAN. PER UNIT
1	52288	Bevel Gear (40 Teeth)	1	1
2	50829	Bevel Pinion (13 Teeth)	1	1
3	15156	Tapered Roller Bearing Cup	1	1
	15158	Tapered Roller Bearing Cone	1	1
4	16237	Shim Set, TIMKEN No. 29	1	1
5	51350	Carrier (P.S. Winch)	1	Not Used
6	44244	Carrier (S.G. Winch)	Not Used	1
7	16064-8	Washer, 1/2	6	6
8	16047-810	Cap Screw, 1/2 UNC x 1-1/4 H.H.	6	6
9	16262-438	O-Ring, NAT'L. 622765	1	1
10	45087-5	Spacer	1	1
11	45089	Shim Set	1	1
	15173	Tapered Roller Bearing Cup	1	1
	15174	Tapered Roller Bearing Cone	1	1
12	50848	Sleeve	1	1
13	16343-11	Oil Seal, NAT'L. 455079	2	2
14	16041-10	Lock Nut, TIMKEN N-10	2	2
15	51054	Pump Drive Pinion	1	Not Used

NOTE: The Bevel Gear Set above is standard for the adaption indicated. Below are optional gear combinations to provide a range of line speeds and pulls for various winching requirements. Important -- Prior to ordering or quoting on any optional Bevel Gear Set be sure to check with factory on availability, and if the gear set would be recommended for the application.

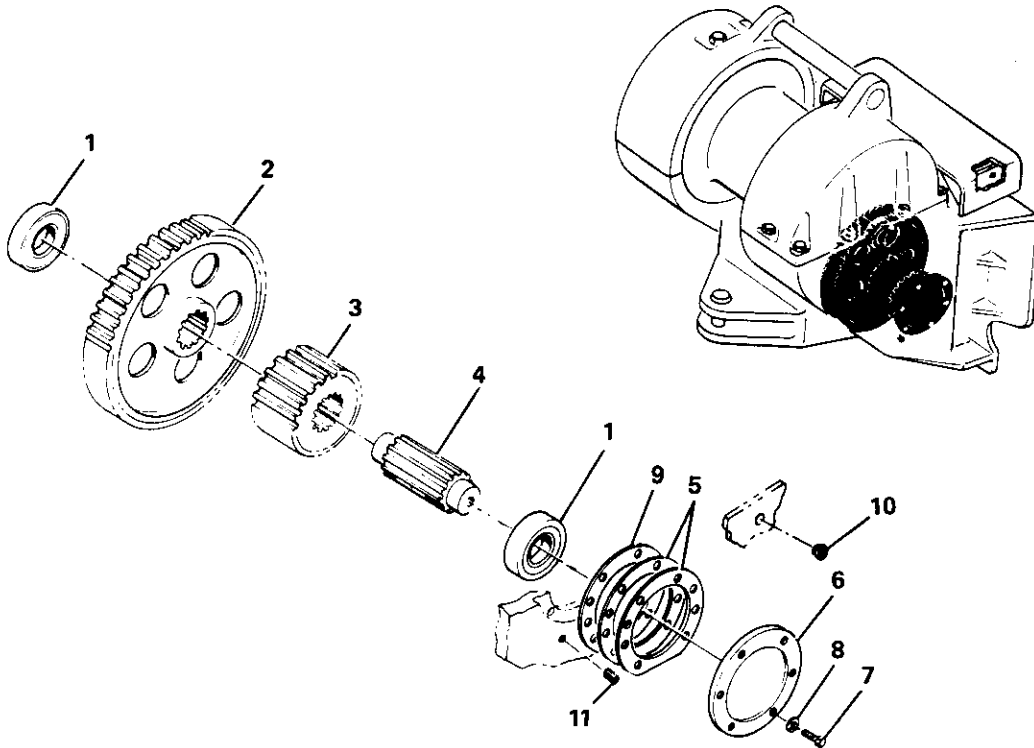
GEAR SET NO.	BEVEL GEAR		BEVEL PINION		RATIO
	Part No.	Teeth	Part No.	Teeth	
52059-101	50832	40	50831	13	3.08/1
52059-102	50836	40	50835	16	2.50/1
52059-107	50850	40	50849	16	2.50/1
52059-103	50839	39	50838	20	1.95/1
52059-104	50842	37	50841	23	1.61/1
52059-105	50845	30	50844	28	1.07/1



BRAKE SHAFT GROUP NO. 52195

REF.	CARCO PART NO.	NAME AND DESCRIPTION	QUAN. PER UNIT
1	16313-231	Retaining Ring, TRUARC 5100-231	2
2	46604	Brake Band Assembly (includes following)	1
	46605	Brake Block	3
	16323-808	Rivet, 1/4 x 1/2 Tub. Brass	32
3	44182	Brake Drum	1
4	16047-810	Cap Screw, 1/2 UNC x 1-1/4 H.H.	12
5	44158	Carrier	1
6	16342-2	Oil Seal, NAT'L. 410574	1
7	44184	Shim Set	2
8	15077	Ball Bearing	2
9	44186	Spacer	2
10	44159	Gear	1
11	16313-300	Retaining Ring, TRUARC 5100-300	2
12	44163	Brake Shaft	1
13	44160	Pinion	1
14	44183	Cover	1
15	16064-8	Washer, 1/2	12
16	46229	Gasket	2
17	51955	Asbestos Warning Plate	1

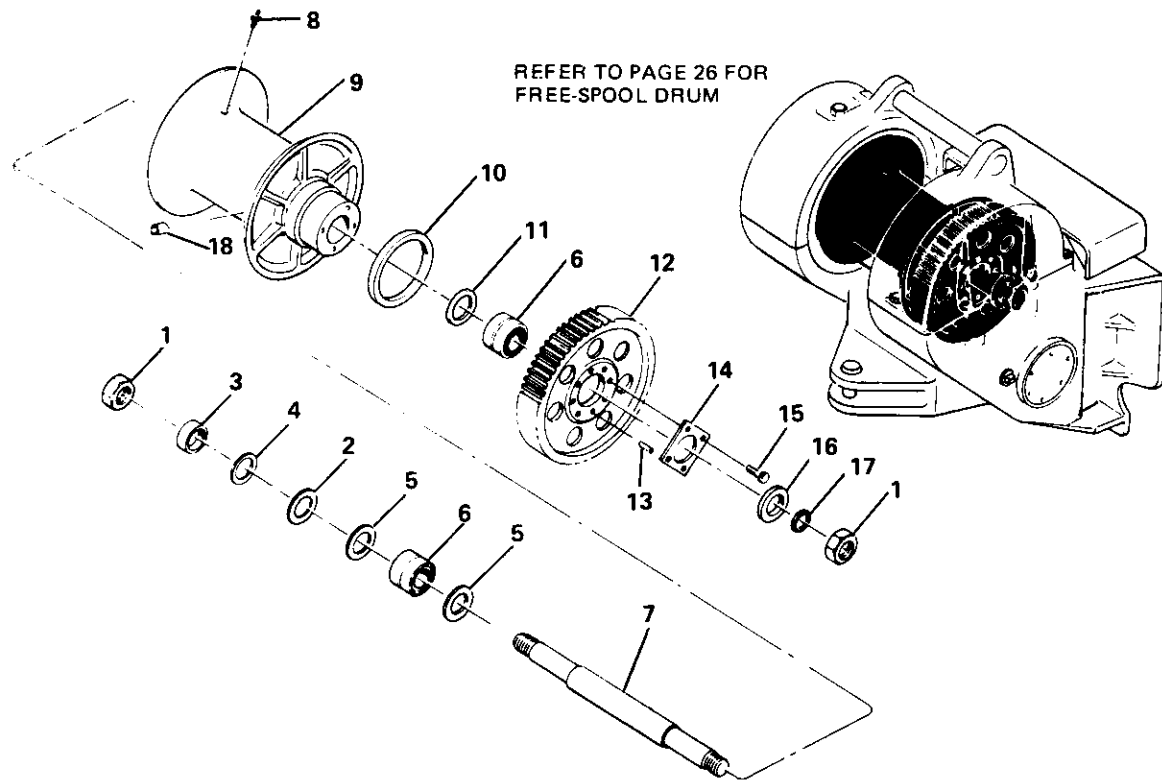
CARCO MODEL 80-PS, PSM & PSC WINCH
 PARTS LIST SECTION—PAGE 24
 IDLER SHAFT (NO FREE SPOOL)



IDLER SHAFT GROUP (NO FREE SPOOL) NO. 52066

REF.	CARCO PART NO.	NAME AND DESCRIPTION	QUAN. PER UNIT
1	15284	Roller Bearing	2
2	44161	Gear	1
3	44162	Pinion	1
4	44157	Shaft	1
5	44184	Shim Set	1
6	44183	Cover	1
7	16047-810	Cap Screw, 1/2 UNC x 1-1/4 H.H.	6
8	16064-8	Washer, 1/2	6
9	46229	Gasket	1
10	50476	Rubber Plug	1
11	50475	Threaded Plug	1

CARCO MODEL 80-PS, PSM & PSC WINCH
PARTS LIST SECTION—PAGE 25
DRUM SHAFT (NO FREE SPOOL)



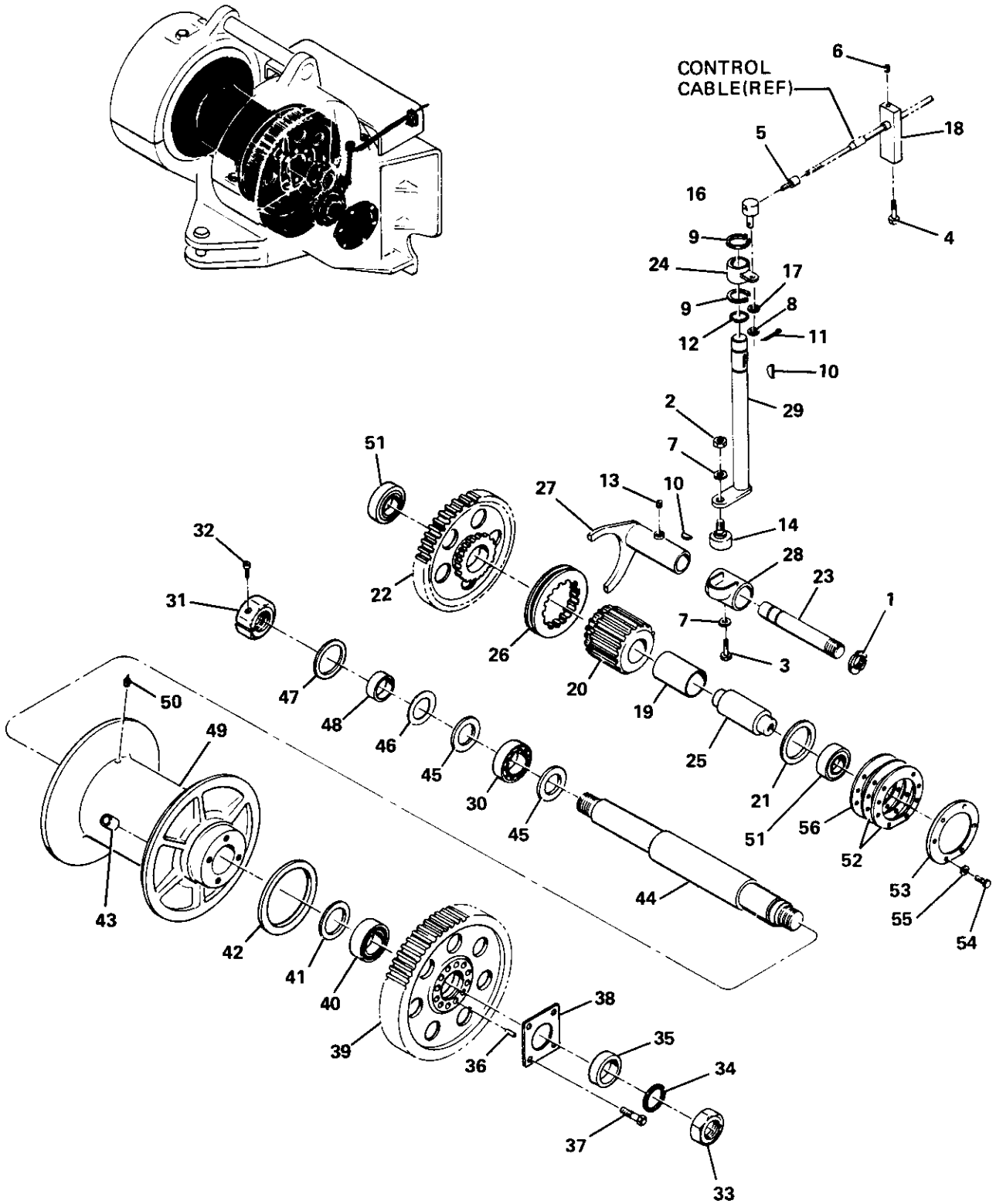
DRUM SHAFT (STANDARD) NO. 44153
(PSC) NO. 44681

REF.	CARCO PART NO.	NAME AND DESCRIPTION	QUAN. PER UNIT
***	1	Nut, 2-3/4 UN Hex Jam	2
	2	Shim	2
	3	Oil Seal, NAT'L. 455487	1
	4	Spacer	1
	5	Seal	2
	6	Bearing Set	2
***	7	Shaft	1
	8	Fitting, ALEMITE 1610B	1
*	9	44153 44681	1 1
	10	Standard Drum	1
	11	Oil Seal, NAT'L. 415270	1
	12	Oil Seal, NAT'L. 455040	1
	13	Gear	1
**	14	45081-2	6
	15	Y1646	1
	16	Lock	1
	17	Cap Screw, 7/8 UNF x 2-1/2 H.H.	6
	18	Spacer	1
		O-Ring, NAT'L. 622743	1
		Ferrule for 1-1/8 Wire Rope	1
		Ferrule for 3/4, 7/8 or 1 Wire Rope	1

NOTES:

- * Optional high capacity drum is standard on PSC models.
- ** When bull gear or cable drum is replaced, dowel holes must be drilled 5/64" and reamed .9057/9077" to accommodate oversize 45081-2 dowels.
- *** For extended drum shaft order 46926 shaft and 2 each 16041-19 nut, TIMKEN T-AN-19.

CARCO MODEL 80-PS, PSM & PSC WINCH
PARTS LIST SECTION—PAGE 26
DRUM SHAFT AND IDLER SHAFT FREE SPOOL ASSY.



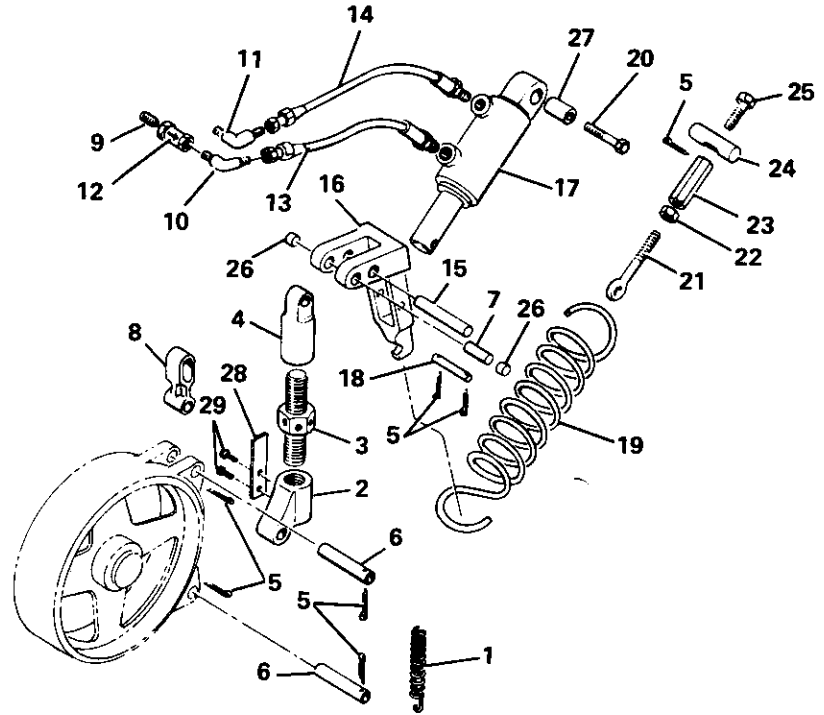
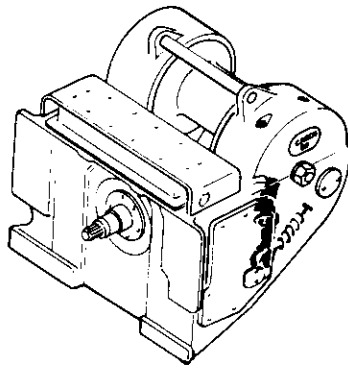
DRUM SHAFT AND IDLER SHAFT FREE SPOOL ASSY. NO. 52067

CARCO MODEL 80-PS, PSM & PSC WINCH
PARTS LIST SECTION—PAGE 27
DRUM SHAFT AND IDLER SHAFT FREE SPOOL ASSY.

REF.	CARCO PART NO.	NAME AND DESCRIPTION	QUAN. PER UNIT	
1	16041-6	Lock Nut, TIMKEN TN-06	1	
2	16044-6	Nut, 3/8 UNF Hex Jam	1	
3	16047-608	Cap Screw, 3/8 UNC x 1 H.H.	1	
4	16047-812	Cap Screw, 1/2 UNC x 1-1/2 H.H.	1	
5	52399	Cable Adapter	1	
6	16056-606	Set Screw, 3/8 UNC x 3/8 Hex Soc. Cup Pt.	1	
7	16067-6	Washer, 3/8	2	
8	16064-8	Washer, 1/2	1	
9	16313-62	Retaining Ring, TRUARC 5100-62	2	
10	16226-1	Key, WOODRUFF No. 6 5/32 x 5/8	2	
11	16292-616	Spring Pin, ROLLPIN 3/16 x 1	1	
12	16342-19	Oil Seal, NAT'L. 410791	1	
13	16403-2	Ball Plunger, CARR-LANE CL70-BP3	1	
14	16404-14	Cam Follower, TORR. CR-14	1	
*	15	See Note Below	1	
16	49332	Control Cable Pin	1	
17	49333-1	Disc Spring	1	
18	49932	Cable Anchor	1	
19	52395-80	Bushing	1	
20	49936-80	Bull Pinion	1	
21	49938-1	Thrust Washer	1	
22	49939-1	Idler Shaft Gear	1	
23	49940-80	Guide	1	
24	49941-80	Control Lever	1	
25	49942-1	Idler Shaft	1	
26	49943	Pinion Coupling	1	
27	49944-80	Shift Flange Assembly	1	
28	49947	Shift Cam	1	
29	49948	Shifter Shaft	1	
30	15298	Bearing Set	1	
31	49957-44	Split Lock Nut	1	
32	16045-712	Screw, Self Locking 7/16 UNF x 1-1/2 Hex Soc. Hd.	1	
33	16044-44	Nut, 2-3/4 UNF Hex Jam	1	
34	16262-340	O-Ring, NAT'L. 622743	1	
35	44155-2	Spacer	1	
**	36	45081-2	Dowel Pin	6
37	16048-1420	Cap Screw, 7/8 UNF x 2-1/2 H.H.	6	
38	Y1646	Lock	1	
39	44166	Gear	1	
40	15199	Bearing Set	1	
41	16343-26	Oil Seal, NAT'L. 455040	1	
42	16342-11	Oil Seal, NAT'L. 415270	1	
43	25459-2	Ferrule for 1-1/8 Wire Rope	1	
44	25459-1	Ferrule for 3/4, 7/8 or 1 Wire Rope	1	
45	44154	Shaft	1	
46	44179	Seal	2	
47	44880	Shim	2	
48	16343-32	Oil Seal, NAT'L. 455487	1	
49	44180-3	Spacer	1	
50	44153	Standard Drum	1	
51	44681	High Capacity Drum	1	
52	16222-2	Fitting, ALEMITE 1610B	1	
53	15284	Roller Bearing	2	
54	44184	Shim Set	1	
55	44183	Cover	1	
56	16047-810	Cap Screw, 1/2 UNC x 1-1/4 H.H.	6	
	16064-8	Washer, 1/2	6	
	46229	Gasket	1	

* Use 52400 series cables. For length see listings under control group page in service manual.
** When bull gear or cable drum is replaced, dowel holes must be drilled 5/64" and reamed .9057/.9077" to accommodate oversize 45081-2 dowels.

CARCO MODEL 80-PS WINCH
 PARTS LIST SECTION—PAGE 28
 BRAKE CONTROL (SPRING APPLIED)



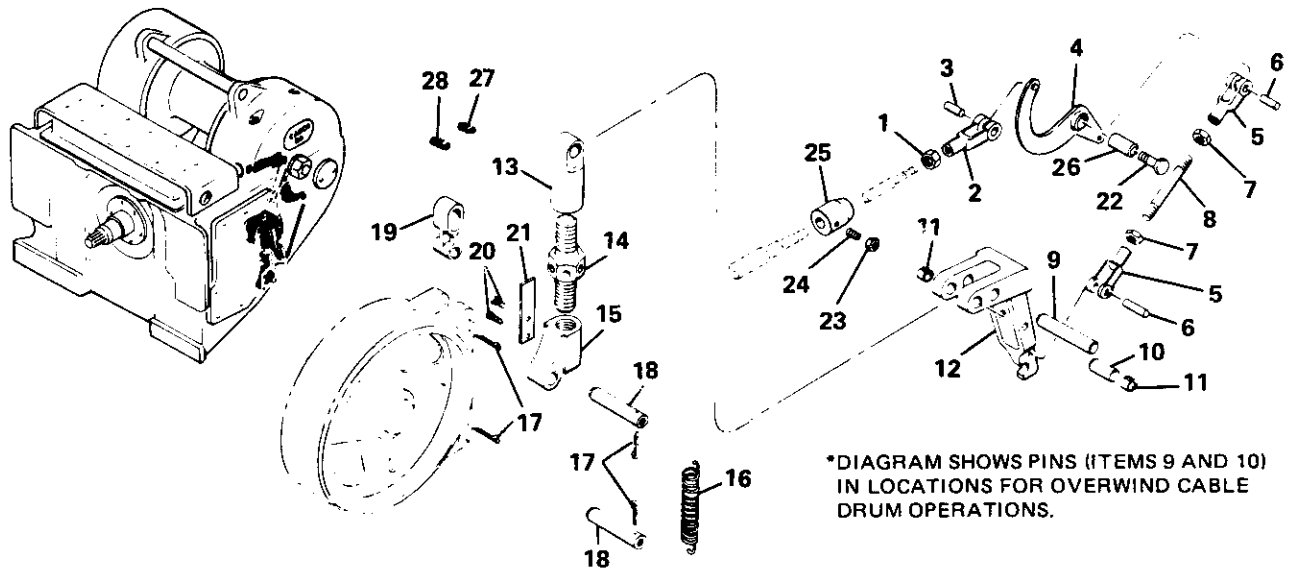
* DIAGRAM SHOWS PINS (ITEMS 7 AND 15)
 IN LOCATIONS FOR OVERWIND
 CABLE DRUM OPERATIONS.

P.S. BRAKE CONTROL GROUP (SPRING APPLIED) NO. 52074

REF.	CARCO PART NO.	NAME AND DESCRIPTION	QUAN. PER UNIT
1	44107	Spring	1
2	40159-1	Rod Nut	1
3	40157	Rod	1
4	40156-1	Rod Nut	1
5	16288-420	Cotter Pin, 1/8 x 1-1/4	1
6	44114	Pin	7
* 7	32920	Pin	2
8	40119	Link	1
9	16158-407	Nipple, 1/4 NPT x 1	1
10	16145-46	Elbow, WTHRD. 5405 x 6	1
11	16145-66	Elbow, WTHRD. C5405 x 6 x 6	1
12	51278	Flow Control Valve	1
13	44118-17	Hose	1
14	44118-13	Hose	1
* 15	32919	Pin	1
16	44195	Arm	1
17	51279	Cylinder (See Page 30.)	1
18	40134	Pin	1
19	40155	Spring	1
20	16047-1236	Cap Screw, 3/4 UNC x 5 H.H.	1
21	44206	Eye Bolt	1
22	16043-8	Nut, 1/2 UNC Hex Jam	1
23	40174	Nut	1
24	40175	Pin	1
25	42023	Screw	1
26	44687-1	Spacer	1
27	46077-2	Sleeve	2
28	44806	Spring	1
29	16055-5	Drive Screw, #10 x 3/8 Type U	2

NOTE: See Page 4 and 5 for Control Stand Group.

CARCO MODEL 80-PSM & PSC WINCH
PARTS LIST SECTION—PAGE 29
BRAKE CONTROL (MANUAL)



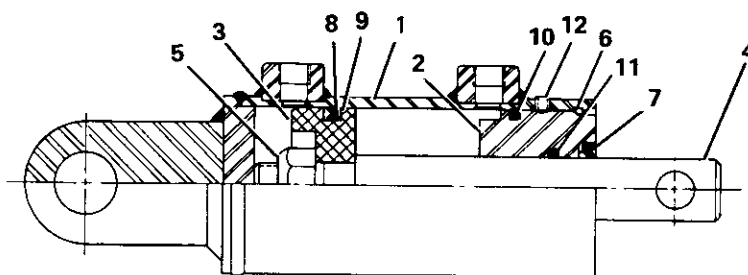
*DIAGRAM SHOWS PINS (ITEMS 9 AND 10)
IN LOCATIONS FOR OVERWIND CABLE
DRUM OPERATIONS.

MANUAL BRAKE CONTROL GROUP NO. 52075

REF.	CARCO PART NO.	NAME AND DESCRIPTION	QUAN. PER UNIT
1	16044-6	Nut, 3/8 UNF Hex Jam	1
2	16245-6	Yoke, CLEVELAND 2708-4A	1
3	16246-6	Pin, CLEVELAND 2708-1/2-4A	1
4	44978	Lever	1
5	16245-8	Yoke, CLEVELAND 2708-6A	2
6	16246-8	Pin, CLEVELAND 2708-1/2-6A	2
7	16044-8	Nut, 1/2 UNF Hex Jam	2
8	37629-4	Stud	1
* 9	32919	Pin	1
* 10	32920	Pin	1
11	44687-1	Spacer	2
12	44195	Arm	1
13	40156-1	Rod Nut	1
14	40157	Rod	1
15	40159-1	Rod Nut	1
16	44107	Spring	1
17	16288-420	Cotter Pin, 1/8 x 1-1/4	4
18	44114	Pin	2
19	40119	Link	1
20	16055-5	Drive Screw, #10 x 3/8 Type U	2
21	44806	Spring	1
22	16047-1236	Cap Screw, 3/4 UNC x 5 H.H.	1
23	16043-6	Nut, 3/8 UNC Hex Jam	1
24	16056-620	Set Screw, 3/8 UNC x 1-1/4 Hex Soc.	1
25	45351-2	Control Cable Anchor	1
26	46077-2	Sleeve	1
27	16169-6	Plug, 3/8 NPT Sq. Hd.	1
28	16169-4	Plug, 1/4 NPT Sq. Hd.	1

NOTE: See pages 6 and 7 for control stand group.

CARCO MODEL 80-PS WINCH
 PARTS LIST SECTION—PAGE 30
 BRAKE CYLINDER



MANUFACTURER: CROSS
 CARCO PART NO. 51301
 CROSS PART NO.: 026255

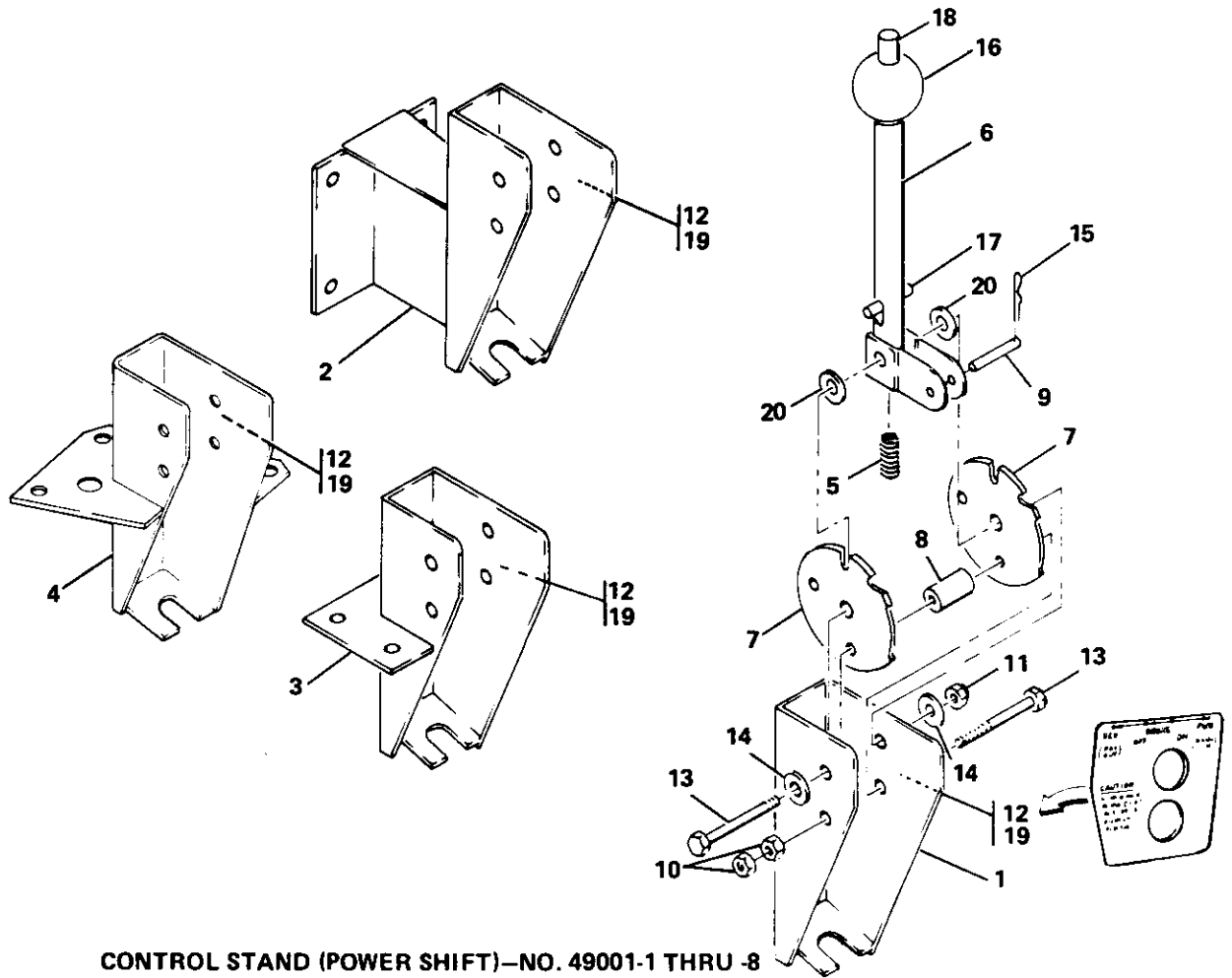
BRAKE CYLINDER NO. 51279

REF.	CARCO PART NO.	NAME AND DESCRIPTION	QUAN. PER UNIT
** 1		Tube Assy	1
2	16280-2	Head, CROSS 1C3243	1
3	16280-15	Piston, CROSS 3C7800	1
4	16280-4	Rod, CROSS 1C3282	1
5	16280-5	Nut, CROSS 2A0246-12	1
6	16280-6	Retaining Ring, CROSS 2A0462-250	1
* 7	16280-7	Wiper, CROSS 2A0773-816	1
* 8	16334-1	Seal, C/R 710087	1
* 9	16301-1	Back-up Washer, C/R 451069	1
* 10	16262-228	O-Ring, NAT'L. 623006	1
* 11	16262-214	O-Ring, NAT'L. 622719	1
12	16054-404	Set Screw, 1/4 UNC x 1/4 Hex Soc.	2
* *	46241	Repair Kit	1

* Items 7, 8, 9, 10 and 11 are included in 46241 repair kit.

** Not a spares item, order 51279 cylinder assembly.

CARCO MODEL 80-PS WINCH
PARTS LIST SECTION—PAGE 31
CONTROL STAND



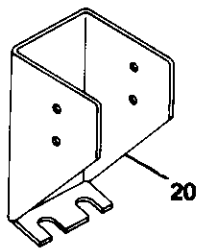
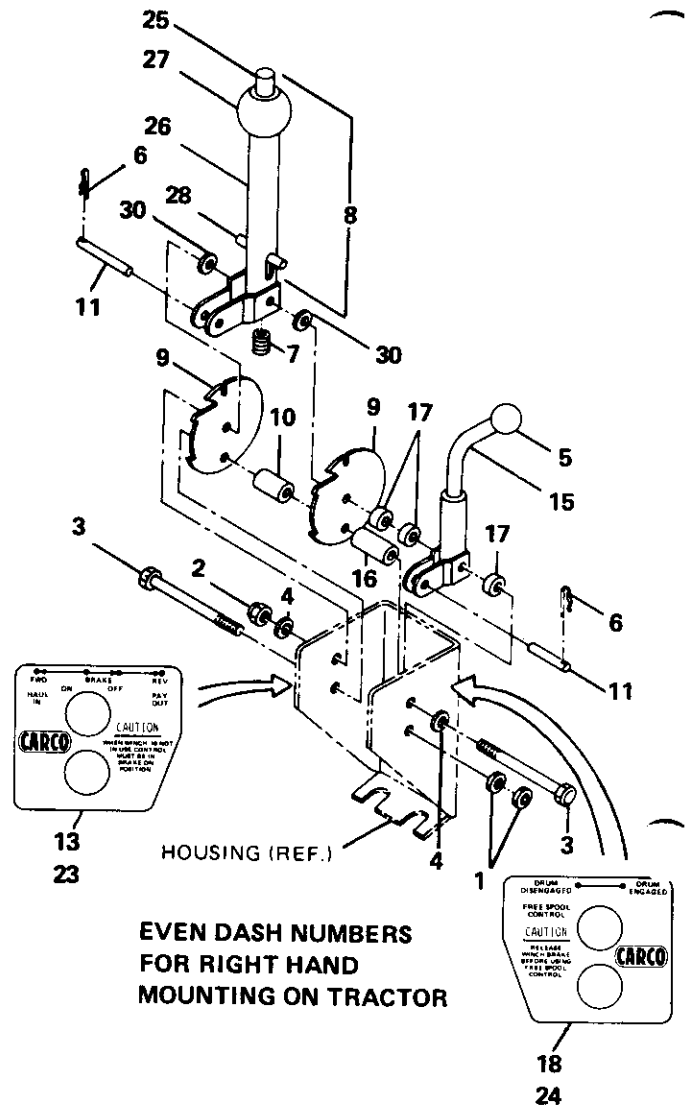
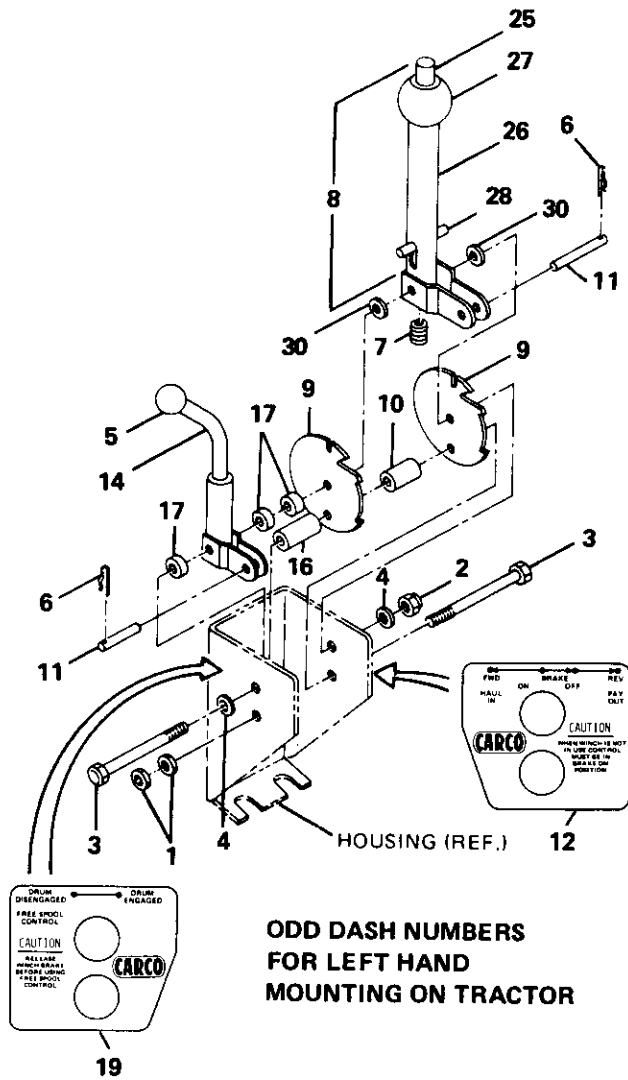
CONTROL STAND (POWER SHIFT)—NO. 49001-1 THRU -8

REF.	CARCO PART NO.	NAME AND DESCRIPTION	CONTROL STAND GROUP NO'S 49001-1 THRU 49001-8							
			QTY. -1	QTY. -2	QTY. -3	QTY. -4	QTY. -5	QTY. -6	QTY. -7	QTY. -8
1	49002-1	Housing	1				1		1	
2	49002-2	Housing		1					1	1
3	49002-3	Housing			1					
4	49002-4	Housing				1				
5	41403	Spring	1	1	1	1	1	1	1	1
* 6	49003	Lever Assy.	1	1	1	1	1	1	1	1
7	49007	Lock Plate	2	2	2	2	2	2	2	2
8	49804-3	Spacer	1	1	1	1	1	1	1	1
9	49010	Pin	1	1	1	1	1	1	1	1
10	16033-6	Nut, 3/8 UNC Hex	2	2	2	2	2	2	2	2
11	16039-66	Lock Nut, ESNA 21NE-066	1	1	1	1	1	1	1	1
12	49314	Shift Instruction Plate	1	1	1	1				
13	16047-620	Cap Screw, 3/8 UNC x 2-1/2 H.H.	2	2	2	2	2	2	2	2
14	16064-6	Washer, 3/8	2	2	2	2	2	2	2	2
15	16381-13	Hitch Pin, WESTERN WIRE WW-13	1	1	1	1	1	1	1	1
* 16	41404	Ball	1	1	1	1	1	1	1	1
** 17	16294-824	Spring Pin, 1/4 x 1-1/2	1	1	1	1	1	1	1	1
* 18	49004	Push Rod	1	1	1	1	1	1	1	1
19	49314-3	Shift Instruction Plate							1	
20	16009-6	Thrust Bearing, BUNTING TW 37	2	2	2	2	2	2	2	2

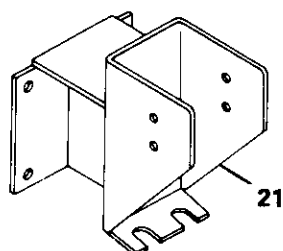
*Items 16, 17, 18 are included in item 6.

NOTE: See page 28 for PS brake control group used with these stands.

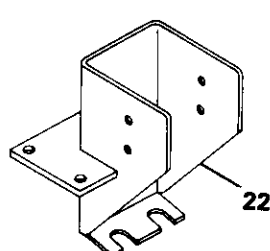
CARCO MODEL 80-PS, PSM & PSC WINCH
 PARTS LIST SECTION—PAGE 32
 F/S CONTROL STAND ASSY.



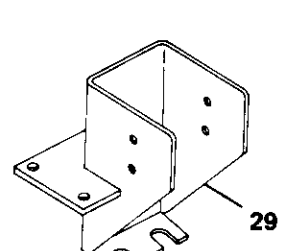
49806-1



49806-2



49806-3



49806-4

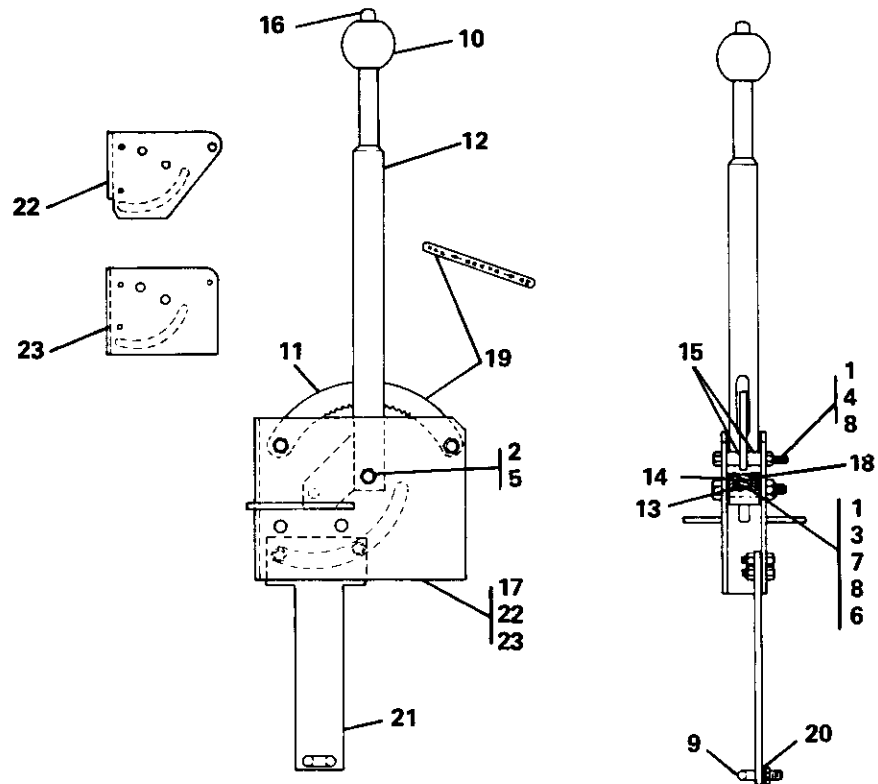
CONTROL STAND FREE SPOOL ASSEMBLIES NO. 49805-1 THRU -9

REF.	CARCO PART NO.	NAME AND DESCRIPTION	QUANTITY									
			-1	-2	-3	-4	-5	-6	-7	-8	-9	
1	16033-6	Nut, 3/8 UNC Hex	2	2	2	2	2	2	2	2	2	2
2	16039-66	Lock Nut, ESNA 21NE-066	1	1	1	1	1	1	1	1	1	1
3	16047-632	Cap Screw, 3/8 UNC x 4 H.H.	2	2	2	2	2	2	2	2	2	2
4	16064-6	Washer, 3/8	2	2	2	2	2	2	2	2	2	2
5	16236-4	Knob, REID B-8	1	1	1	1	1	1	1	1	1	1
6	16381-13	Hitch Pin, WESTERN WIRE WW-13	2	2	2	2	2	2	2	2	2	2
7	41403	Spring	1	1	1	1	1	1	1	1	1	1
* 8	49003	Power Shift Lever Assy.	1	1	1	1	1	1	1	1	1	1
9	49007	Lock Plate	2	2	2	2	2	2	2	2	2	2
10	49804-3	Spacer	1	1	1	1	1	1	1	1	1	1
11	49010	Pin	2	2	2	2	2	2	2	2	2	2
12	49314	Power Shift Instruction Plate		1		1		1		1		1
13	49314-2	Power Shift Instruction Plate	1		1		1		1		1	
14	49802-2	Free Spool Lever Assy.		1		1		1		1		1
15	49802-1	Free Spool Lever Assy.	1		1		1		1		1	
16	49804-1	Spacer	1	1	1	1	1	1	1	1	1	1
17	49804-2	Spacer	3	3	3	3	3	3	3	3	3	3
18	49807-1	Free Spool Instruction Plate	1		1		1		1		1	
19	49807-2	Free Spool Instruction Plate		1		1		1		1		1
20	49806-1	Housing	1	1								
21	49806-2	Housing			1	1						
22	49806-3	Housing					1	1	1			
23	50911	Power Shift Instruction Plate							1			
24	50912	PTO Valve Instruction Plate							1			
* 25	49004	Push Rod	1	1	1	1	1	1	1	1	1	1
* 26	49005	Handle	1	1	1	1	1	1	1	1	1	1
* 27	41404	Ball	1	1	1	1	1	1	1	1	1	1
* 28	16294-824	Spring Pin, 1/4 x 1-1/2	1	1	1	1	1	1	1	1	1	1
29	49806-4	Housing								1	1	
30	16009-6	Thrust Bearing, BUNTING TW 37	2	2	2	2	2	2	2	2	2	2

*Items 25,26,27 & 28 are included in item 8

NOTE: One of the above control stands used on all model 80 winches with free spool

CARCO MODEL 80-PSC & PSM WINCH
 PARTS LIST SECTION—PAGE 34
 CONTROL STAND

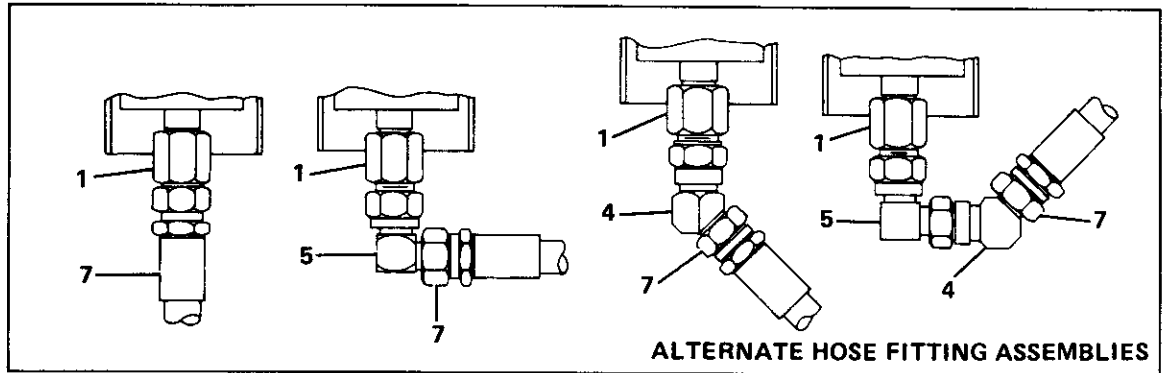
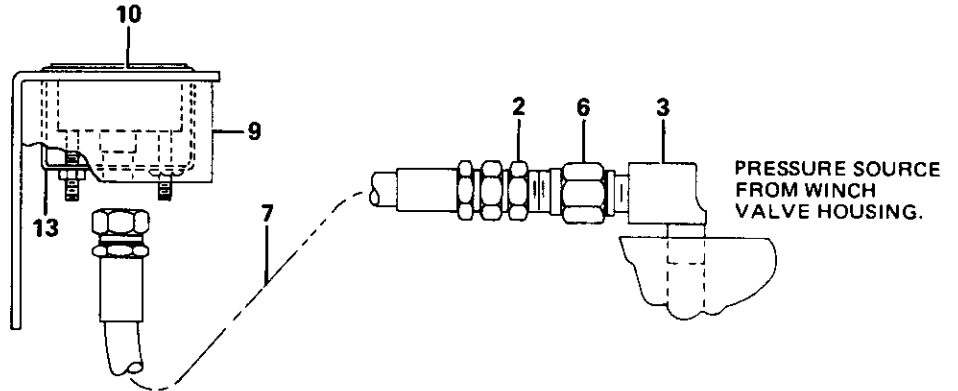


CONTROL STAND (MANUAL BRAKE)—NO. 49434-7 THRU -9

REF.	CARCO PART NO.	NAME AND DESCRIPTION	BRAKE STAND GROUP NO.		
			QUANTITY 49434-7	QUANTITY 49434-8	QUANTITY 49434-9
1	16033-6	Nut, 3/8 UNC Hex	4	4	4
2	16039-83	Lock Nut, ESNA 21NE-083	1	1	1
3	16047-608	Cap Screw, 3/8 UNC x 1 H.H.	2	2	2
4	16047-620	Cap Screw, 3/8 UNC x 2-1/2 H.H.	2	2	2
5	16047-818	Cap Screw, 1/2 UNC x 2-1/4 H.H.	1	1	1
6	16064-3	Washer, No. 10	1	1	1
7	16064-6	Washer, 3/8	2	2	2
8	16067-6	Lock Washer, 3/8	4	4	4
9	16398-4	U-Bolt, CABLECRAFT 161-010-4	1	1	1
10	41404	Ball	1	1	1
11	50627	Sector	1	1	1
12	49435	Handle	1	1	1
13	49436	Washer	2	2	2
14	49437	Bushing	1	1	1
15	49438	Spacer	4	4	4
16	50629	Rod	1	1	1
17	49444-3	Housing	1		
18	49445	Spring	1	1	1
19	49446	Plate	1	1	1
20	16067-4	Lock Washer, 1/4	2	2	2
21	50099	Arm	1	1	1
22	49444-4	Housing			1
23	49444-5	Housing		1	

NOTE: See page 29 for manual brake control group used with these stands

CARCO MODEL 80-PS, PSM & PSC WINCH
 PARTS LIST SECTION—PAGE 35
 PRESSURE GAUGE

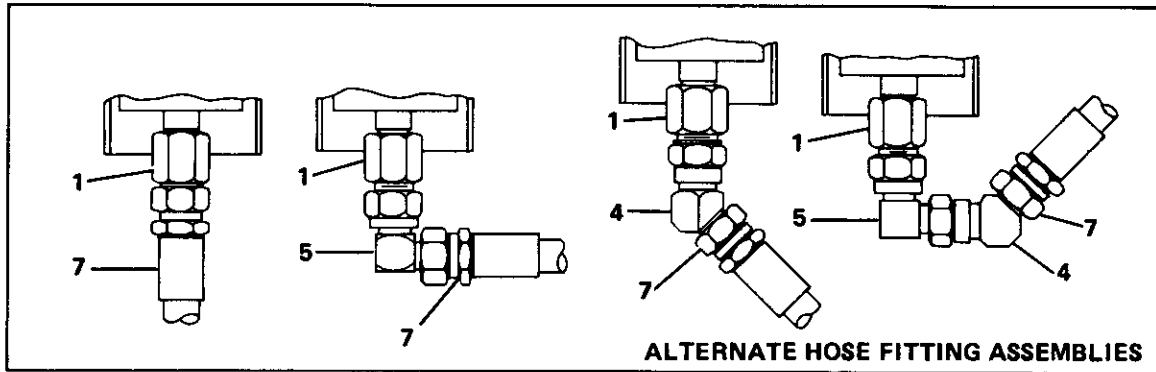
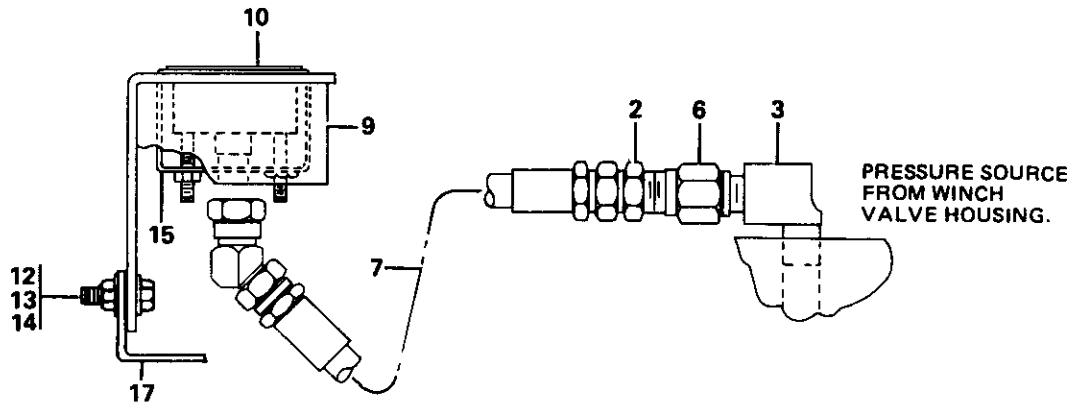


PRESSURE GAUGE KIT—NO. 48700-120

REF.	CARCO PART NO.	NAME AND DESCRIPTION	QUAN. PER UNIT
1	16116-44	Adapter, WTHRD. C5255 x 4 x 4	1
***	2	Connector, WTHRD. C5205 x 4 x 4 (See Below)	1
***	3	Elbow, WTHRD. 3400 x 4 (See Below)	1
	4	Union, WTHRD. C5356 x 4	1
	5	Union, WTHRD. C5506 x 4	1
***	6	Snubber, CHEMIQUIP 25B-D (See Below)	1
*	7	Hose Assembly	1
**	8	Tag, Instruction — Not Shown	1
	9	Bracket	1
	10	Gauge	1
**	11	Sheet, Instruction — Not Shown	1
**	12	Gauge Kit Print — Not Shown	1
	13	Bracket	1

- * 48700-1 kit can be ordered, which is without item 7.
- ** Items 8, 11 and 12 are included in gauge kit.
- *** Items 2, 3 and 6 are also shown on control valve, page 10.

CARCO MODEL 80-PS, PSM & PSC WINCH
 PARTS LIST SECTION—PAGE 36
 PRESSURE GAUGE



PRESSURE GAUGE KIT – NO. 48944-120

REF.	CARCO PART NO.	NAME AND DESCRIPTION	QUAN. PER UNIT
1	16116-44	Adapter, WTHRD. C5255 x 4 x 4	1
***	2	16129-44	1
***	3	16171-44	1
	4	16184-44	1
	5	16185-44	1
***	6	16362-44	1
*	7	44921-120	1
**	8	45101	1
	9	{ 48687 52493	1
	10	48693-1	1
**	11	48712	1
	12	16047-608	1
	13	16033-6	1
	14	16063-6	1
	15	49121	1
**	16	48944	1
	17	49343-2	1

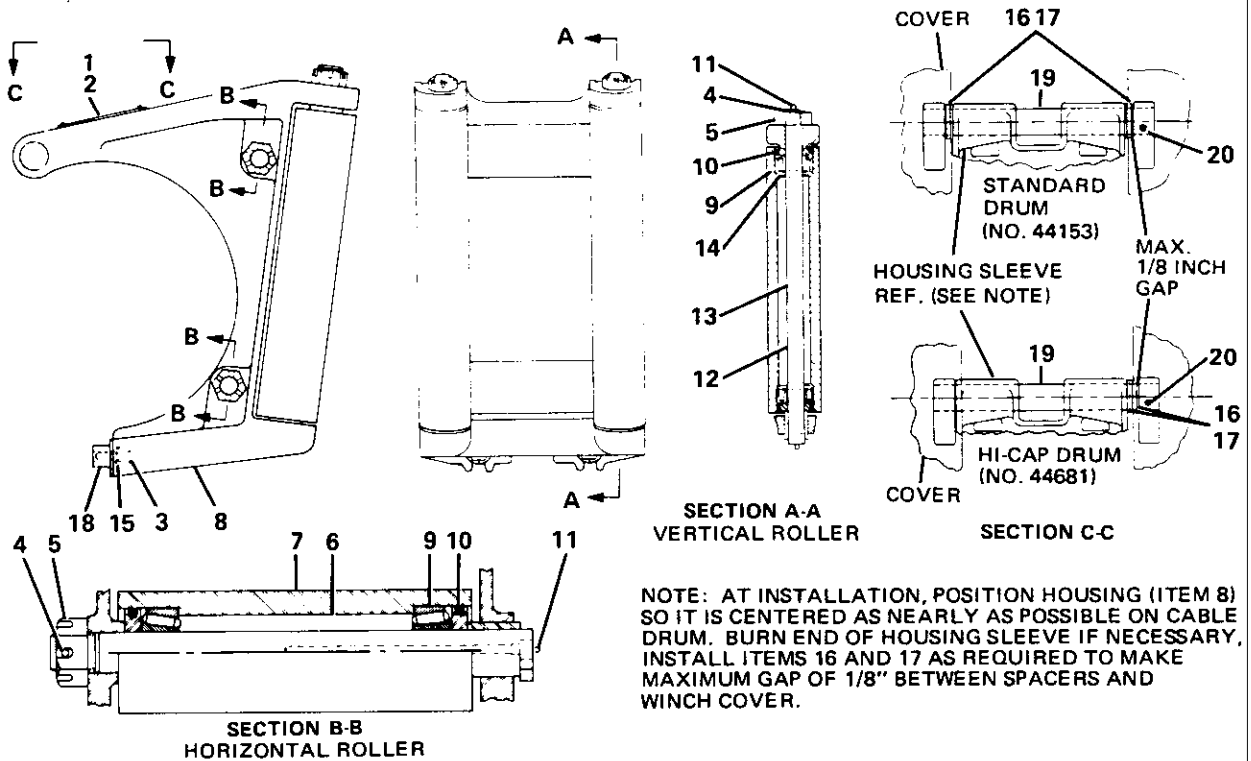
*48700-1 kit can be ordered, which is without item 7.

**Items 8, 11 and 16 are included in gauge kit.

***Items 2, 3 and 6 are shown on control valve, page 10.

CARCO MODEL 80-PS, PSM & PSC WINCH
PARTS LIST SECTION—PAGE 37
FAIRLEAD

THIS FAIRLEAD IS NORMALLY FURNISHED AS A 3-ROLLER UNIT, WITH HORIZONTAL ROLLER IN TOP POSITION — IF A 4-ROLLER UNIT IS REQUIRED, AN ADDITIONAL ROLLER CAN BE SUPPLIED CONSISTING OF ITEMS LISTED IN COLUMN "A" IN PARTS LIST.



FAIRLEAD—PART NO. } 40416-30 (3 ROLLER, USE WITH STD. OR HI CAP DRUM.)
40416-40 (4 ROLLER, USE WITH STD. OR HI CAP DRUM.)

REF.	CARCO PART NO.	NAME AND DESCRIPTION	QUAN. PER UNIT	"A"
1	26248	Name Plate	1	
2	16055-5	Drive Screw, #10 x 3/8 Type U	4	
3	16047-2018	Cap Screw, 1-1/4 UNC x 2-1/4 H.H.	2	
4	16288-1240	Cotter Pin, 3/8 x 2-1/2	3	1
5	16036-24	Nut, TIMKEN K8111	3	1
6	35016	Shaft	1	1
7	30706	Roller	1	1
8	40415	Housing	1	
9	15235	Bearing Cup	6	2
9	15178	Bearing Cone	6	2
10	30044	Dust Guard	6	2
11	16222-2	Fitting, ALEMITE 1610B	5	1
12	30705	Roller	2	
13	30701	Shaft	2	
14	30045	Retainer	4	
15	16063-20	Washer, 1-1/4	2	
16	49879-1	Spacer	2	
17	49879-2	Spacer	2	
18	42184	Attaching Lug	2	
19	49043-2	Cable Guard	1	
20	16288-1272	Cotter Pin, 3/8 x 4-1/2	1	

*Welds to winch case.