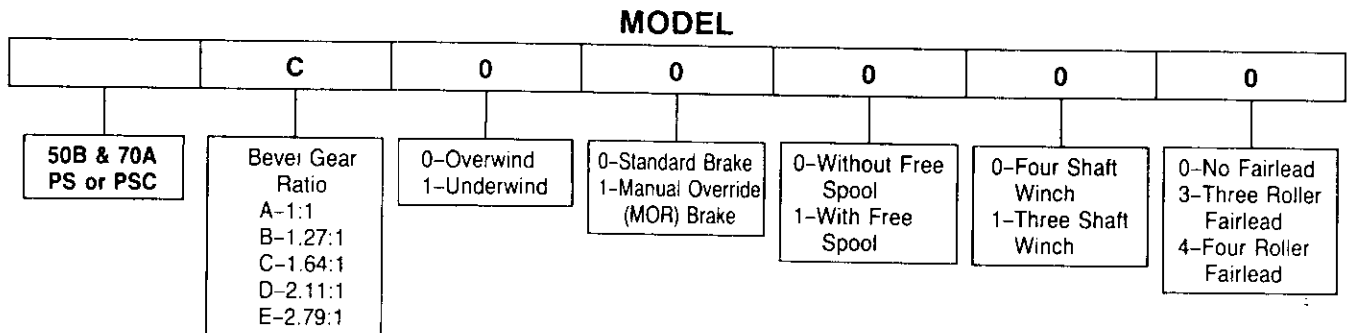


CARCO®

PARTS MANUAL MODEL 70A PS FOR KOMATSU D65E-8, D68E-1, & D83-1 TRACTORS

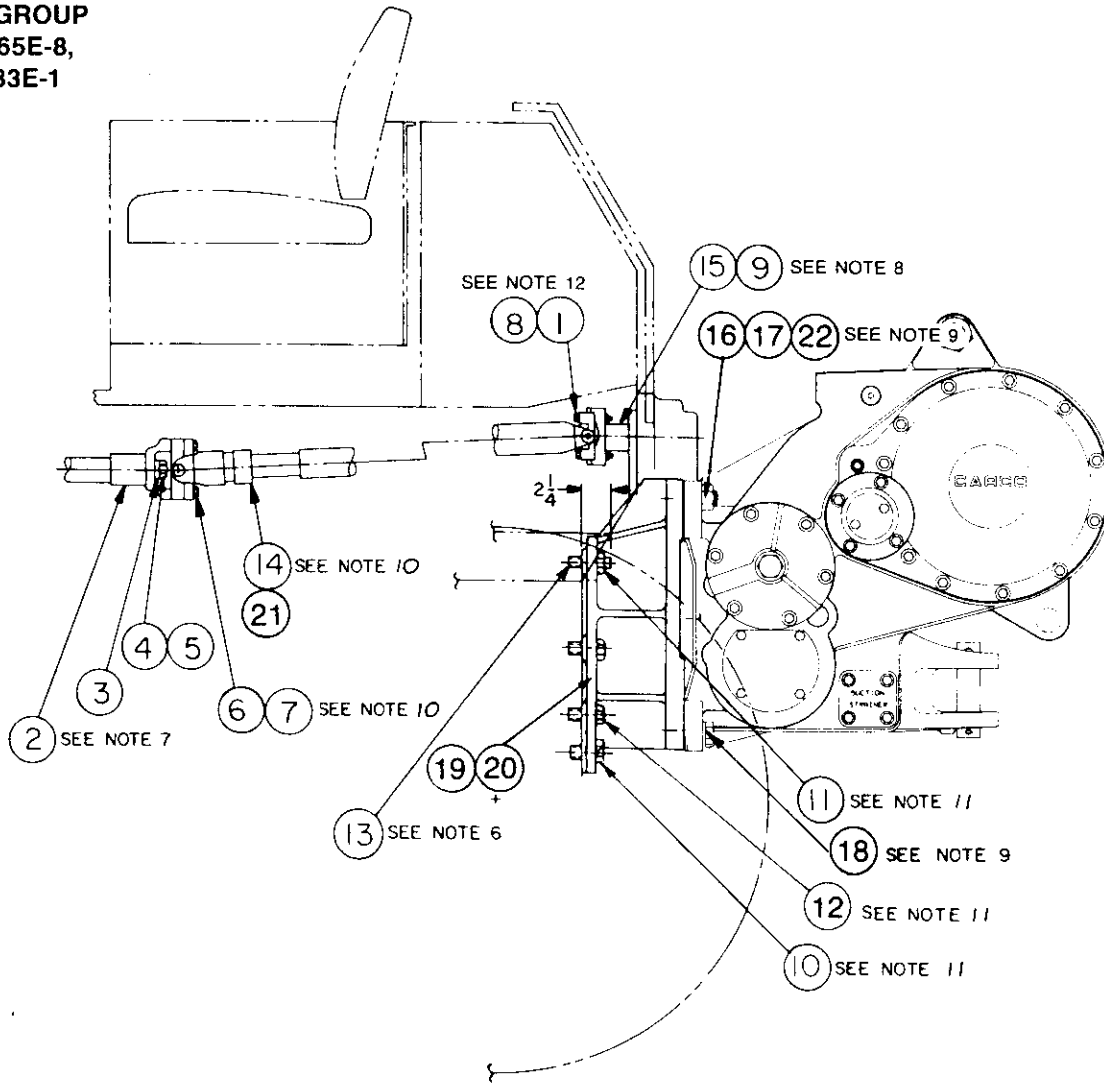
TABLE OF CONTENTS

	PAGE
Mounting Group	2
Control Group	4-5
Bevel Gear Group	6-7
Case and Covers	8-9
Clutch Shaft Group	10-11
Clutch Assembly	12
Brake Assembly	13
Manual Override (MOR) Brake Assembly	14-15
Idler Shaft Group — Without Freespool	16
Fourth Shaft Group	17
Idler Shaft Group — With Freespool	18-19
Drum Group	20-21
Hydraulic Control Group — Standard PTO	22-23
Pump Group and Accumulator	24
Control Valve	25
Control Stand	26
Fairlead	27



PACCAR WINCH DIVISIONS

**MODEL 70A PS
MOUNTING GROUP
KOMATSU D65E-8,
D68E-1, & D83E-1**

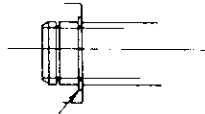


VIEW OF TRACTOR REAR FACE

NOTES:

1. PTO ROTATION IS COUNTERCLOCKWISE AS VIEWED FROM REAR OF TRACTOR.
2. REMOVE PAINT FROM TRACTOR AND WINCH MOUNTING SURFACES.
3. REMOVE AND DISCARD TRACTOR REAR COVER AND UPPER COVER MOUNTING ANGLE. REMOVE AND DISCARD REAR FUEL TANK TUNNEL COVER.
4. REMOVE RIPPER HYDRAULIC TUBES AND MOUNTING BRACKETS AND PLUG PORTS IN HYDRAULIC RESERVOIR IF TRACTOR IS SO EQUIPPED.
5. BOTTOM TAP WINCH MOUNTING FASTENER HOLES IN TRACTOR REAR FACE AS SHOWN.
6. APPLY LOC-TITE 271 TO THREADS AND INSTALL STUDS, ITEM 13, TO 2 1/4 IN. (57 MM).
7. USE THE FOLLOWING PROCEDURE TO INSTALL PTO SHAFT COUPLING, ITEM 2 (KOMATSU PART NO. 144-67-1111) ONTO TRACTOR ACCESSORY DRIVE AT REAR OF ENGINE.
 - a. REMOVE (4) CAPSCREWS (PART NO. 01010-30612) AND (1) COVER (PART NO. 6631-21-4781) AND DISCARD.
 - b. REMOVE SNAP RING (PART NO. 04064-04518) AND DISCARD.
 - c. REMOVE (6) CAPSCREWS (PART NO. 01010-31240) FROM BEARING COVER (PART NO. 6631-21-4771) AND REMOVE BEARING COVER AND SET ASIDE.

CAUTION: DO NOT DAMAGE OIL SEAL (PART NO. 07012-00060) OR GASKET (PART NO. 6631-21-4570) WHEN REMOVING BEARING COVER.
 - d. REMOVE COLLAR (PART NO. 6631-21-4791) AND DISCARD. RETAIN O-RING (PART NO. 07000-03040) ON PTO SHAFT.
 - e. REINSTALL BEARING COVER (PART NO. 6631-21-4771), GASKET (PART NO. 6631-21-4570) AND (6) CAPSCREWS (PART NO. 01010-31240).
 - f. GREASE INNER AND OUTER SEAL SURFACES OF COUPLING (PART NO. 144-67-1111) ITEM 2 AND INSTALL ON SPLINES OF TRACTOR PTO SHAFT.
 - g. INSTALL HOLDER (PART NO. 144-67-11120) (ITEM 3), BOLT (PART NO. 01010-31635) (ITEM 5) AND WASHER (PART NO. 01602-01648) (ITEM 4) TO END OF TRACTOR PTO SHAFT. TIGHTEN BOLT TO KOMATSU SPECIFICATIONS.
8. ASSEMBLE SPLINED YOKE, ITEM 15, TO WINCH INPUT SHAFT WITH RETAINING RING, ITEM 9.



INSTALL RETAINING RING, ITEM 9, IN SECOND GROOVE AS SHOWN.

MODEL 70A PS MOUNTING GROUP KOMATSU D65E-8, D68E-1, & D83E-1

9. REMOVE WINCH FROM SHIPPING SKID AND DISCARD SKID MOUNTING ANGLES. APPLY LOC-TITE 271 TO THREADS AND TIGHTEN LOWER WINCH ADAPTER MOUNTING BOLTS, ITEM 18, TO 940 LB. FT. (1275 Nm) TORQUE.

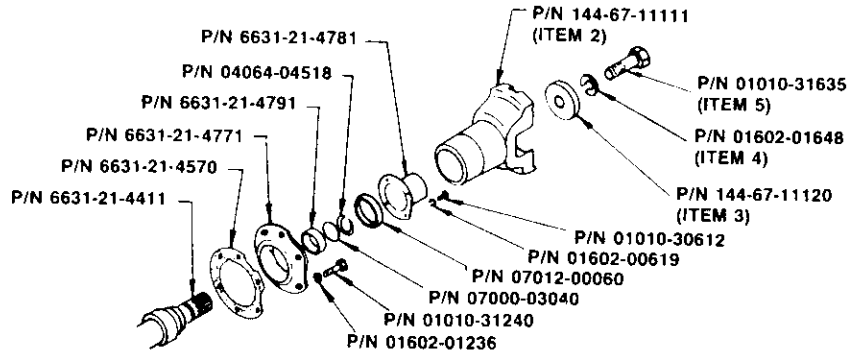
TIGHTEN UPPER WINCH ADAPTER NUTS, ITEM 17, AS FOLLOWS:

 - a. APPLY LOC-TITE 271 TO THREADS AND PARTIALLY TIGHTEN NUT, 100 LB. FT. (136 Nm).
 - b. MARK POSITION OF NUTS, THEN TIGHTEN AN ADDITIONAL 2 1/2 WRENCH FLATS.
10. POSITION U-JOINT ASSEMBLY, ITEM 14, AND ATTACH TO COUPLING, ITEM 2 (ON TRACTOR), WITH METRIC FASTENERS, ITEMS 6 & 7. APPLY LOC-TITE 242 TO THREADS AND TIGHTEN FASTENERS TO 35 LB. FT. (47 Nm) TORQUE.
11. INSTALL WINCH ON STUDS, ITEM 13, WHILE GUIDING CONTROL CABLES INTO POSITION. APPLY LOC-TITE 271 TO THREADS AND INSTALL WINCH MOUNTING FASTENERS, ITEMS 10, 11, & 12. TIGHTEN 24 MM FASTENERS TO 650 LB. FT. (881 Nm), 33 MM FASTENERS TO 1230 LB. FT. (1668 Nm) TORQUE.
12. INSURE THAT U-JOINT BEARING CROSSES ARE IN PHASE. ATTACH DRIVELINE ASSEMBLY, ITEM 14, TO SPLINED YOKE, ITEM 15, ON WINCH WITH SAE FASTENERS, ITEMS 1 & 8. APPLY LOC-TITE 242 TO THREADS AND TIGHTEN FASTENERS TO 35 LB. FT. (47 Nm) TORQUE.

CAUTION

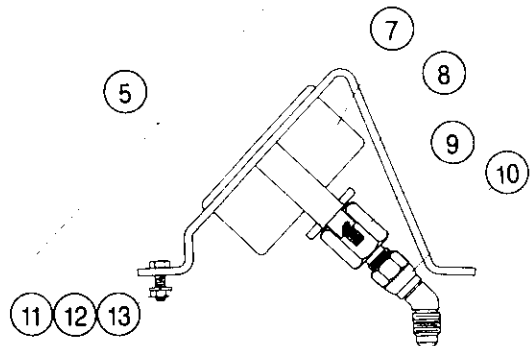
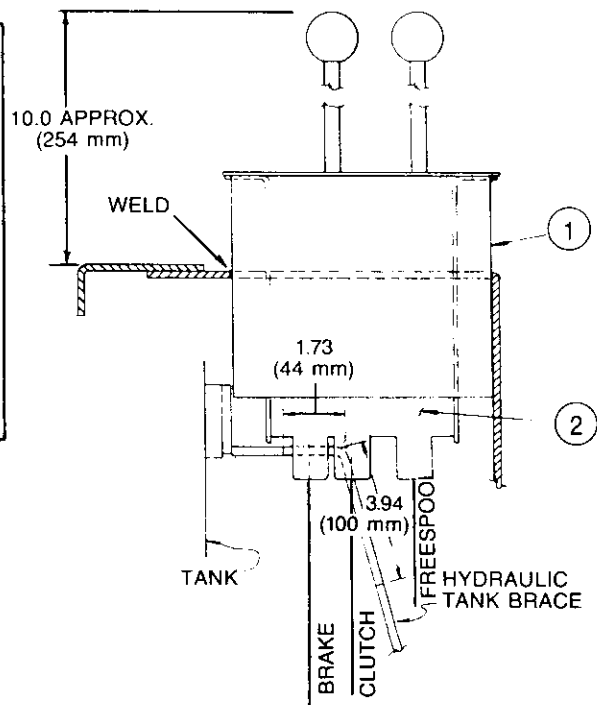
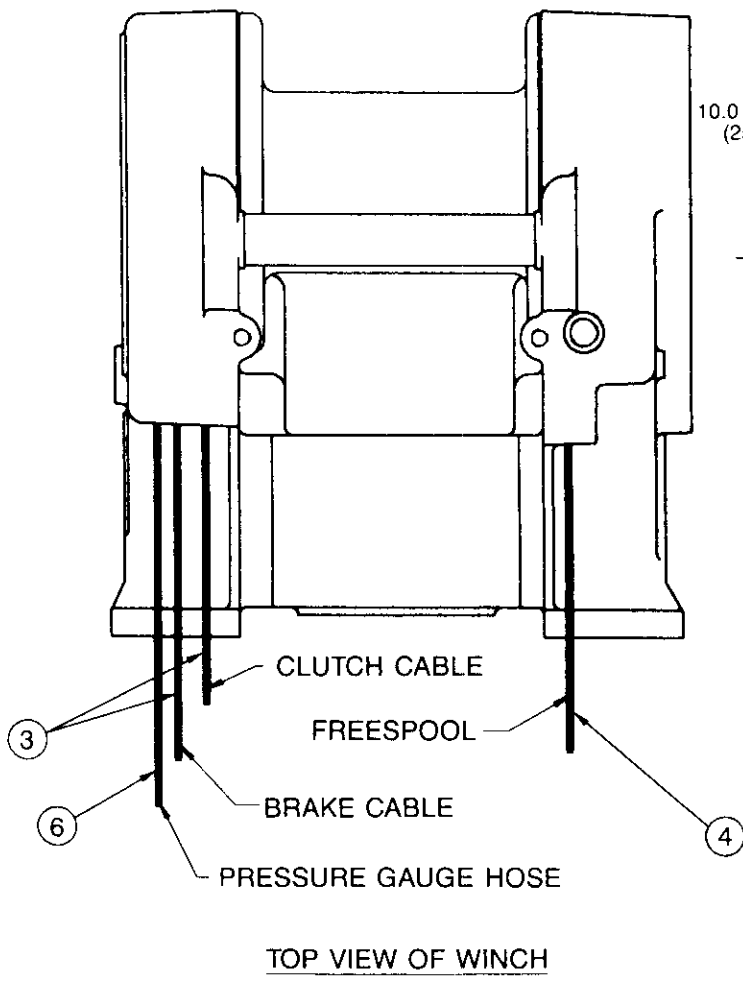
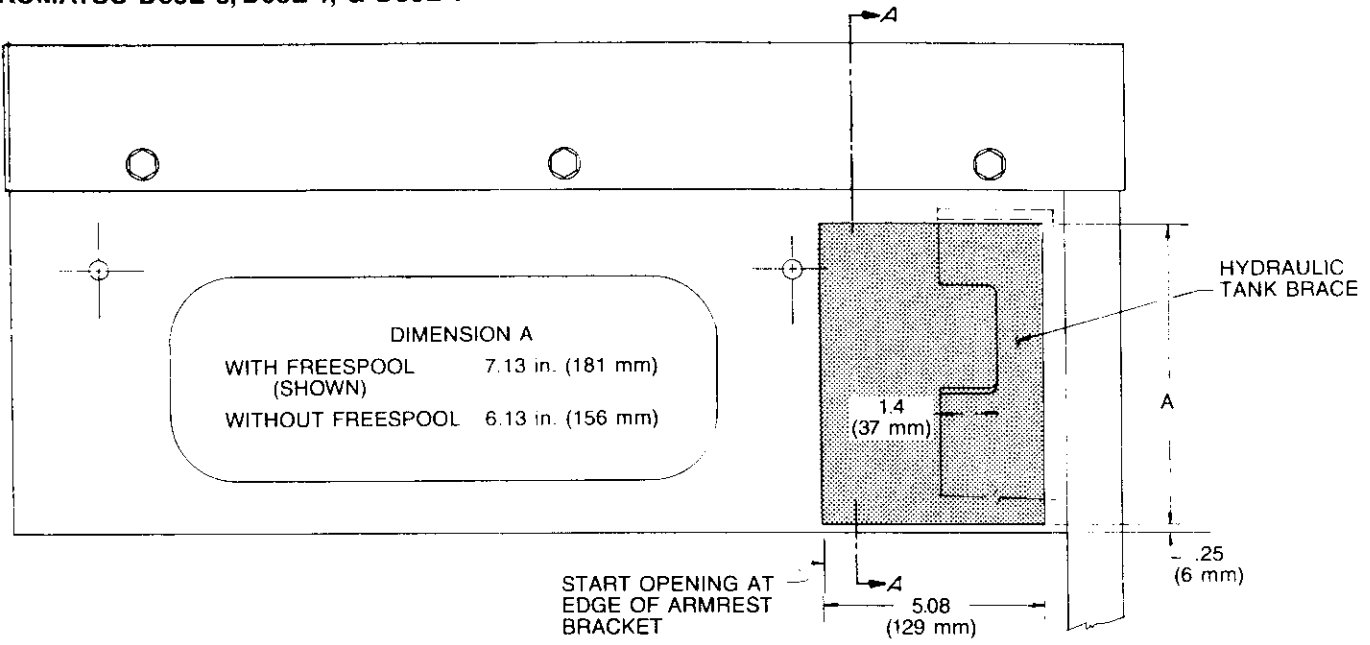
FILL WINCH CASE AND ADAPTER GEAR BOX TO PROPER LEVEL WITH RECOMMENDED OIL BEFORE STARTING TRACTOR. BEARING AND GEAR DAMAGE MAY RESULT IF TRACTOR OR WINCH IS RUN WITHOUT OIL.

- THE MAIN WINCH CASE OIL CAPACITY IS 78 QTS (74 lt). REFER TO PAGE 10 OF OPERATORS MANUAL, PC-104, FOR RECOMMENDED OIL.
- THE ADAPTER GEAR BOX CAPACITY IS 1.8 QTS (1.7 lt) OF 90 WT API GL5 GEAR OIL.



ITEM	PART NO.	DESCRIPTION	QTY.
1	18003	LOCKWASHER	4
2	69744	COUPLING (KOM 144-67-11111)	1
3	69748	HOLDER (KOM 144-67-11120)	1
4	69750	WASHER (KOM 1602-01648)	1
5	69751	CAPSCREW (KOM 01010-31635)	1
6	69773	CAPSCREW (KOM 01010-31050)	4
7	70953	WASHER (KOM 01602-01030)	4
8	32268	CAPSCREW HEX HEAD (3/8 - 24 NF x 1 1/4 G8)	4
9	32083	RETAINING RING	1
10	69779	CAPSCREW, HEX HEAD, 33 MM (KOM 01010-63370)	2
11	70184	NUT, 24 MM	4
12	69812	CAPSCREW HEX HEAD, 24 MM	4
13	69788	STUD, 24 MM	4
14	69808	DRIVELINE ASSEMBLY (INCLUDES ITEM 21)	1
15	69500	YOKE	1
16	27802	STUD (1 1/8 - 7 NC x 4 1/4 G8)	4
17	70768	NUT (1 1/8 - 7 NC)	4
18	70749	CAPSCREW, HEX HEAD, (1-8 NC x 2 3/4 G8)	4
19	27772	TRACTOR ADAPTER BRACKET (LH)	1
20	27773	TRACTOR ADAPTER BRACKET (RH)	1
21	32016	U-JOINT ASSEMBLY	2
22	27803	WASHER (1 1/8 HARDENED)	4

MODEL 70A PS
MOUNTING GROUP
KOMATSU D65E-8, D68E-1, & D83E-1



CONTROL INSTALLATION INSTRUCTIONS:

Note: These instructions are provided as a general guide. Tractor options, product changes, application requirements or local regulations may require deviation from these recommendations.

1. Remove the shaded area from the tractor right hand console and cut out cable clearance notch from the hydraulic tank brace as shown.
2. Carefully route control cables, filter light wire and pressure gauge hose from winch to underside of right hand console.

CAUTION

Avoid routing cables near moving shafts or linkage which may cause damage to cables or restrict free movement of tractor components.

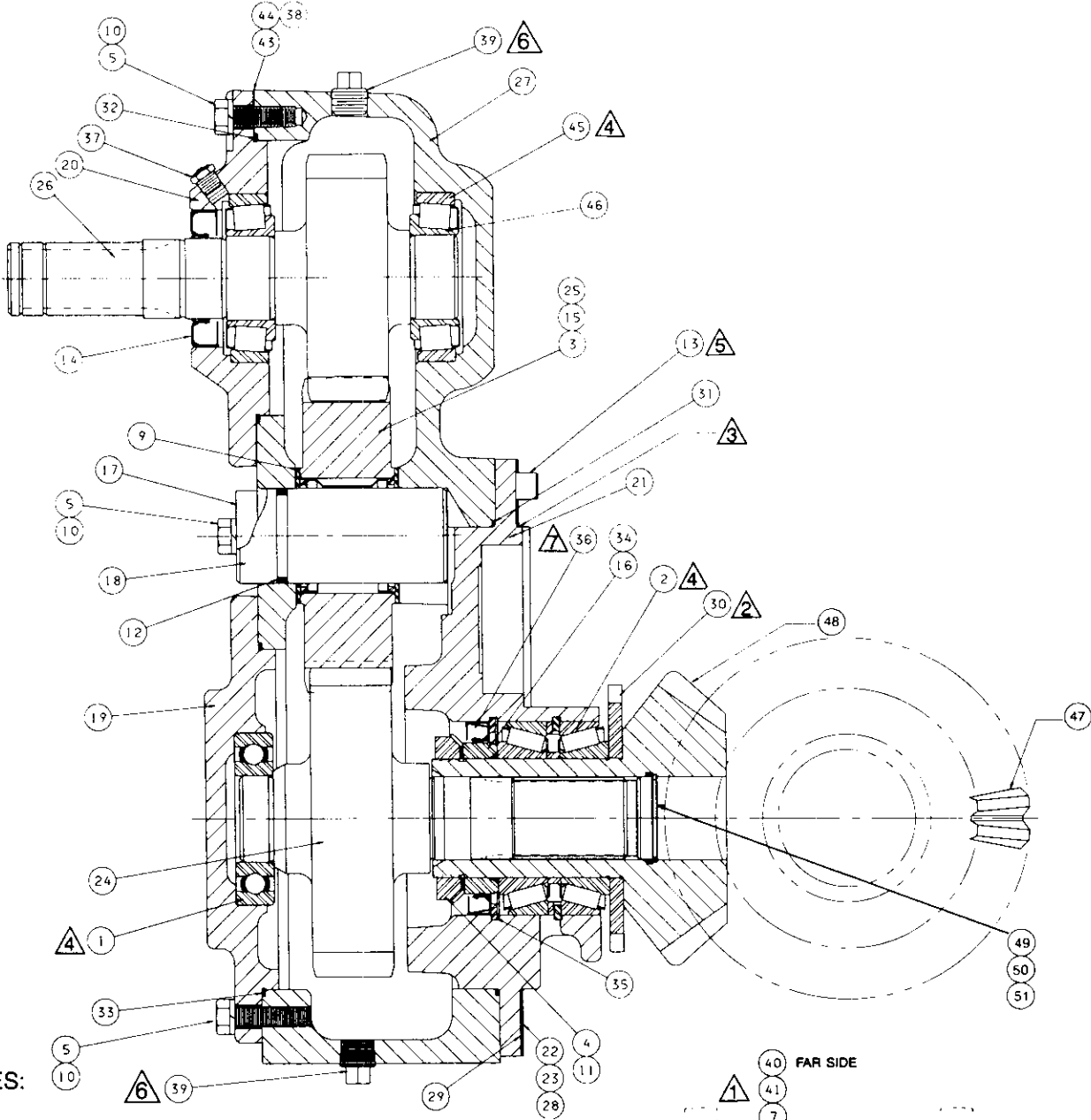
3. Place control frame, Item 1, into modified console. Pass cables up through control frame and install into control stand. Temporarily mount control stand into control frame. Position control frame in modified console such that the control cables will not interfere with any tractor control linkage or tubes. Tack-weld control frame to console. Refer to pages 13 & 14 of the Service Manual (PC-137) for control cable installation procedure.

4. Remove control stand from control frame and finish welding control frame to console. Paint over welds as required.
5. Install filter indicator light assembly into control stand gate plate. Free end of wiring harness must be supplied with 12 to 24 volt dc. The circuit is grounded through the filter bypass sending unit in the winch.
6. Securely install the control stand, with cables attached, into the control frame. Restrain cables, gauge hose and light wire with plastic tie straps as required to prevent chaffing.
7. Mount the pressure gauge in clear view of the operator.
8. Refer to the Manual Override (MOR) brake section pages 14 and 15, of this manual for MOR piping instructions.

Suggestion: As no additional console space is available, a small mounting bracket may be locally fabricated to attach the MOR control valve to the side of the control frame. Operator preference will dictate the best position.
9. Verify proper control cable and pressure adjustment by following the procedures found on pages 8-10 of the Operators Manual, PC-104.
10. Fill winch to proper level with recommended oil. Refer to oil specifications found on page 10 of the Operators Manual.

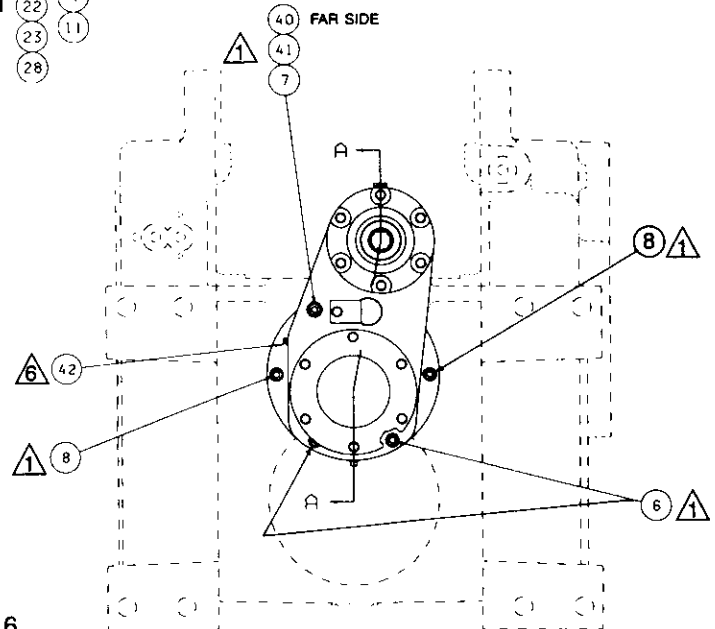
ITEM	PART NO.	DESCRIPTION	QTY.
1	25696	CONTROL FRAME — WITH FREESPOOL (SHOWN)	1
	28833	CONTROL FRAME — WITHOUT FREESPOOL	1
2	69667	CONTROL STAND — WITH FREESPOOL (SHOWN)	1
	81965	CONTROL STAND — WITHOUT FREESPOOL	1
3	69801	CONTROL CABLE — PS 84 in. (2133 mm)	2
4	69799	CONTROL CABLE — FS 96 in. (2438 mm)	1
5	62058	PRESSURE GAUGE KIT (INCLUDES ITEMS 6-13)	1
6	34196	HOSE	1
7	27673	PRESSURE GAUGE	1
8	27651	BRACKET	1
9	27652	ADAPTER (1/4 NPT — 4)	1
10	70122	UNION 45° — 4	1
11	27683	CAPSCREW, HEX HEAD (5/16 — 18 × 1/4 G5)	2
12	69640	WASHER (5/16)	2
13	69644	NUT (5/16 — 18)	2

**MODEL 70A PS
MOUNTING GROUP
KOMATSU D65E-8, D68E-1, & D83E-1**



NOTES:

- 1** APPLY "LOCTITE 242" TO CLEAN, DRY THREADS.
- 2** APPLY "LOCTITE 601" TO BORE OF PUMP PINION, ITEM 30, AND BEVEL PINION SHOULDER.
- 3** APPLY APPROX. $\frac{3}{8}$ IN. (4.7 mm) BEAD OF SILASTIC SEALANT (RTV 732) TO PILOT.
- 4** APPLY THIN COATING OF MULTIPURPOSE CALCIUM OR LITHIUM BASED MEDIUM GREASE.
- 5** APPLY "LOCTITE 242" TO CLEAN, DRY DOWEL PIN.
- 6** APPLY PIPE THREAD SEALANT TO FITTINGS, ITEMS 37, 38, 39 & 42.
- 7** INSTALL SEAL, ITEM 36, WITH CLOSED SIDE FACING BEVEL GEARS.
- 8** INSTALL SHIMS, ITEMS 38, 43, 44, UNDER BEARING CAP, ITEM 20, TO PROVIDE .004-.006 IN. (.10-.15 mm) END-PLAY OF SHAFT, ITEM 26.

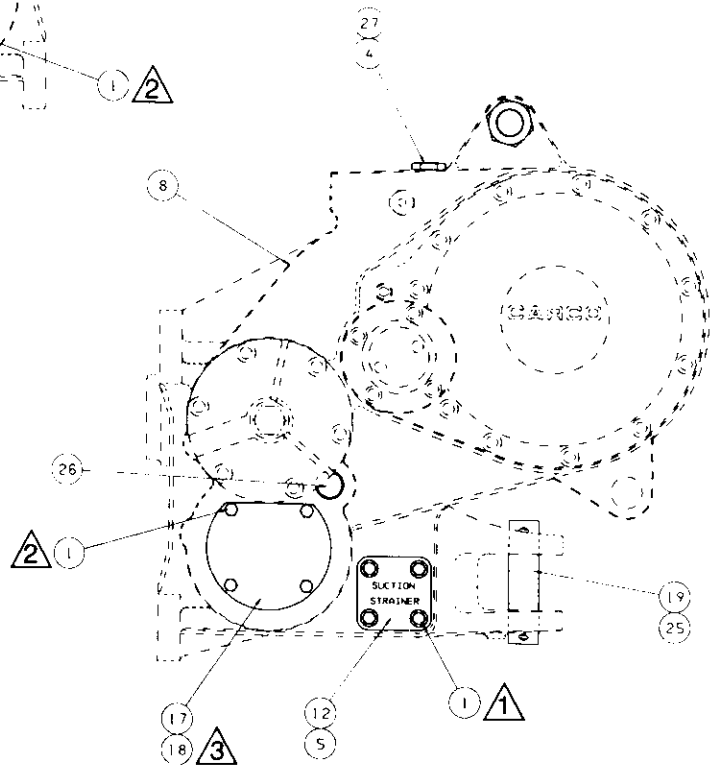
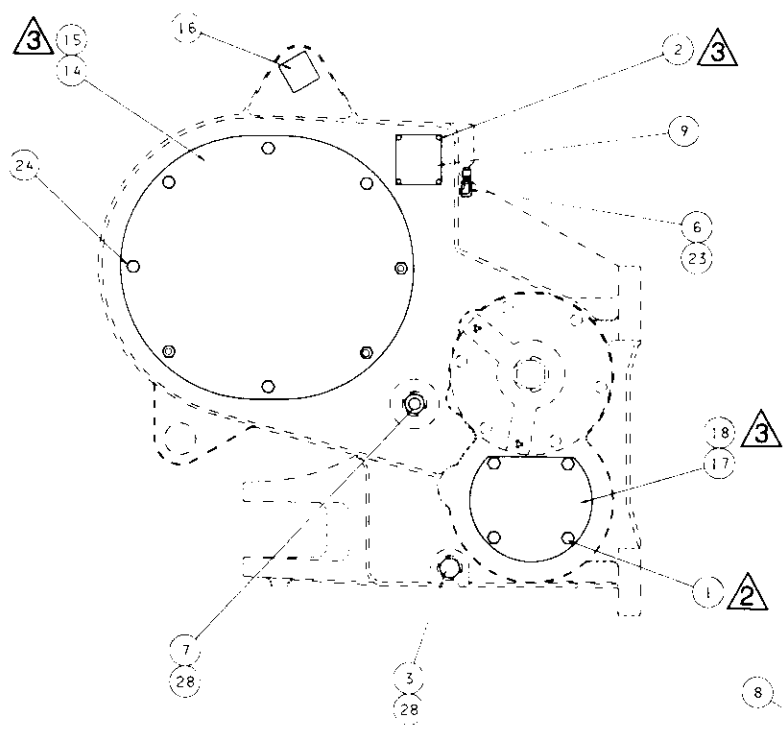
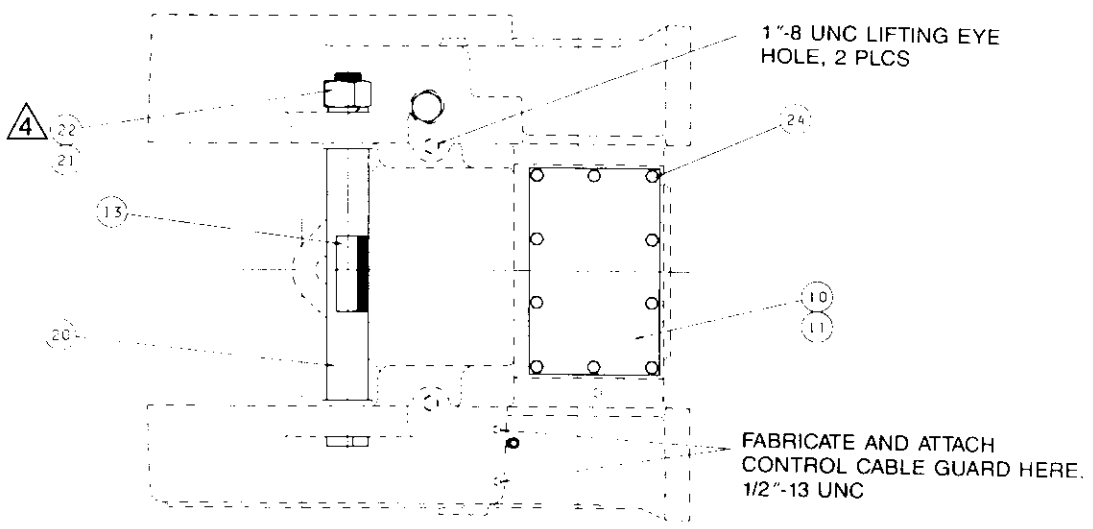


MODEL 70A PS
ADAPTER GEAR BOX &
BEVEL GEAR GROUP
KOMATSU D65E-8,
D68E-1, & D83E-1

ITEM	PART NO.	DESCRIPTION	QTY
1	78337	BALL BEARING	1
2	70077	ROLLER BEARING	1
3	70648	NEEDLE BEARING	1
4	24816	LOCKNUT, BEARING	1
5	27992	CAPSCREW, HEX HEAD (3/8 - 16 NC x 1 G5-SS)	13
6	73454	CAPSCREW, SOCKET HEAD (1/2 - 13 NC x 5 G8)	2
7	23445	CAPSCREW, SOCKET HEAD (1/2 - 13 NC x 5 1/2 G8)	1
8	72845	CAPSCREW, SOCKET HEAD (1/2 - 13 NC x 2 1/4 G8)	2
9	24581	THRUST WASHER	2
10	18003	LOCKWASHER (3/8)	13
11	11418	LOCKWASHER	1
12	13838	O-RING	1
13	22828	DOWEL PIN	1
14	70169	OIL SEAL	1
15	69582	BEARING SPACER	2
16	70382	SEAL SPACER	1
17	69583	PIN RETAINER	1
18	69584	IDLER PIN	1
19	27985	BEARING CAP, DRIVE PINION	1
20	27984	BEARING CAP, INPUT PINION	1
21	69539	CARRIER, BEVEL PINION	1
22	69826	SHIM, .020 in. (.51 mm)	2-AR
23	69827	SHIM, .007 in. (.18 mm)	2-AR
24	28820	PINION SHAFT	1
25	69938	IDLER PINION	1
26	28930	INPUT PINION SHAFT	1
27	27976	GEAR BOX HOUSING	1
28	69945	SHIM, .005 in. (.13 mm)	2-AR
29	69946	SHIM GASKET	1
30	69947	PUMP DRIVE PINION	1
31	27988	O-RING	1
32	70138	O-RING	1
33	27987	O-RING	1
34	74992	O-RING	1
35	70163	RETAINING RING	1
36	28732	OIL SEAL	1
37	10074	RELIEF VALVE	1
38	28918	SHIM, .020 in. (.51 mm)	2-AR
39	23377	PLUG (3/8 - 18 NPTF)	2
40	22454	O-RING	1
41	25134	SEALING WASHER	1
42	18009	PIPE PLUG (1/8 - 27 NPTF)	1
43	28916	SHIM, .005 in. (.13 mm)	4-AR
44	28917	SHIM, .007 in. (.18 mm)	3-AR
45	28923	BEARING CUP	2
46	28922	BEARING CONE	2
47	70350	BEVEL GEAR — STANDARD SPEED 33T	2
	70352	BEVEL GEAR — SLOW SPEED 38T	2
48	69824	BEVEL PINION — STANDARD SPEED 26T	1
	69822	BEVEL PINION — SLOW SPEED 18T	1
49	69813	O-RING	1
50	70162	RETAINING RING	1
51	70626	PLUG, BEVEL PINION	1

SS = SELF SEALING AR = AS REQUIRED

WINCH CASE & COVERS



NOTES:

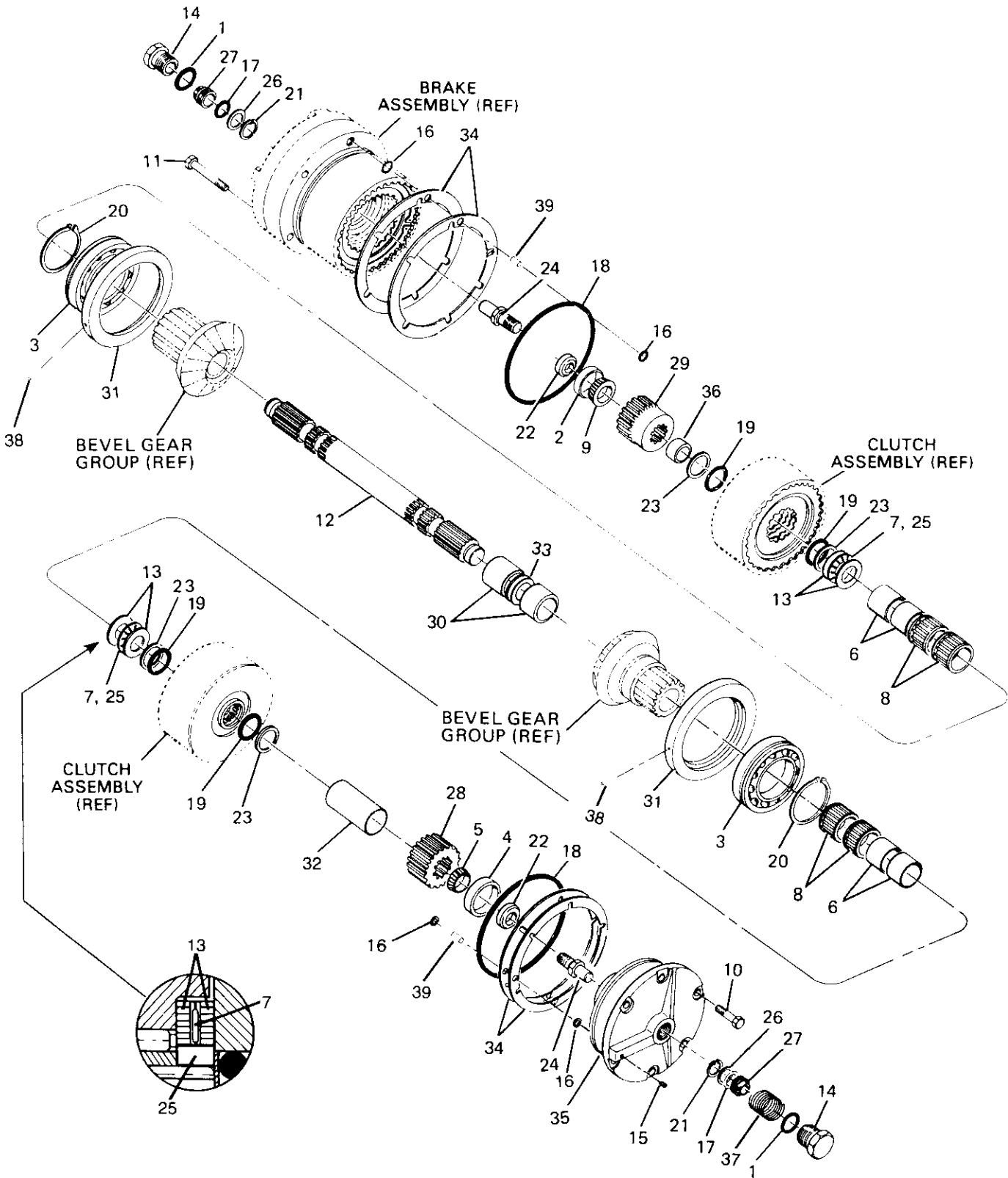
- ① APPLY "FEL-PRO C-648F" TO BOLTS TO PREVENT THREAD CORROSION.
- ② TIGHTEN FASTENERS TO 75 LB-FT (10.4 KgM) TORQUE.
- ③ APPLY "RTV 732" SILASTIC SEALANT TO BOTH SIDES OF GASKETS (ITEMS 11, 15 & 18) AND DRIVE SCREWS (ITEM 2).
- ④ TIGHTEN HEX NUT (ITEM 22) UNTIL LOCKWASHER (ITEM 21) IS FLATTENED AND THEN TURN ONE FLAT.

WINCH CASE & COVERS

ITEM	PART NO.	DESCRIPTION	QTY
1	22697	CAPSCREW, HEX HEAD (1/2 - 13 NC x 1 G5)	12
2	70053	DRIVE SCREW	4
3	70118	PLUG, DRAIN (MAY BE SUBSTITUTED FOR ITEM 7)	1
4	70119	PLUG, OIL FILL (INCLUDES ITEM 27)	1
5	22586	O-RING	1
6	11106	VENT PLUG	1
7	70193	SIGHT GAUGE (INCLUDES ITEM 28)	1
8	27752	WINCH CASE - STANDARD PTO - SHOWN	1
	27712	WINCH CASE - LOW PTO	1
9	69533	SERIAL NUMBER DATA PLATE	1
10	27805	COVER, TOP ACCESS	1
11	27806	GASKET	1
12	70305	STRAINER COVER	1
13	70505	CAUTION LABEL	1
14	69951	COVER, SIDE ACCESS	1
15	69950	GASKET	1
16	28772	TIE BOLT	1
17	27807	COVER, LOWER ACCESS	2
18	27808	GASKET	2
19	36618	DRAW BAR PIN	1
20	27804	SPACER TUBE	1
21	27666	LOCKWASHER, 1 3/4	1
22	27655	NUT, HEX HEAD (1 3/4 NC)	1
23	13708	ELBOW	1
24	27745	CAPSCREW, HEX HEAD (1/2 - 13 NC x 1 G5 SS)*	15
25	70148	COTTER PIN (3/8 x 3 in.)	2
26	70191	EXPANSION PLUG - 3 SHAFT WINCH ONLY	1
27	31608	O-RING - FOR OIL FILL PLUG	1
28	31607	O-RING - FOR OIL LEVEL & DRAIN PLUG	2

*SS = SELF SEALING MATERIAL PREAPPLIED TO THREADS

CLUTCH SHAFT GROUP

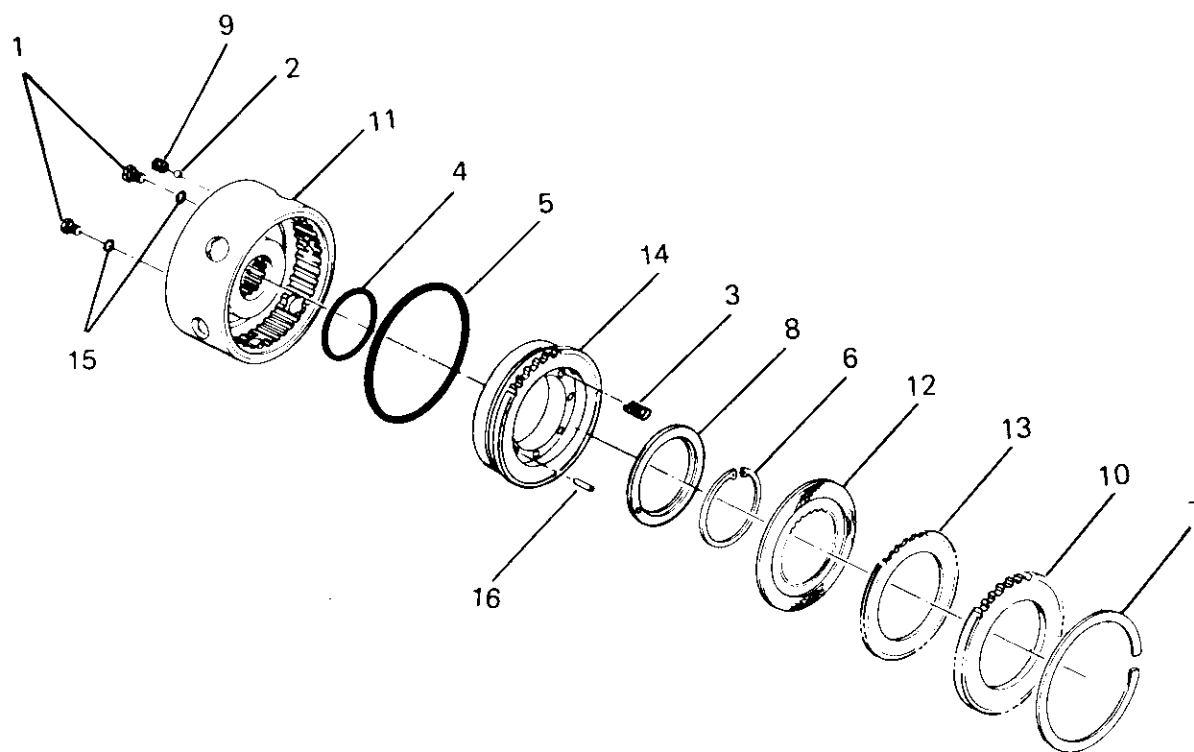


CLUTCH SHAFT GROUP

ITEM	PART NO.	DESCRIPTION	QTY
1	31608	O-RING (PART OF ITEM 14)	2
2	18049	BEARING CUP	1
3	70073	BALL BEARING -- STD PTO	2
	70074	BALL BEARING, SHIELDED -- LOW PTO	2
4	70075	BEARING CUP	1
5	70076	BEARING CONE	1
6	70083	NEEDLE BEARING -- INNER RACE	4
7	11891	THRUST BEARING	2
8	70084	NEEDLE BEARING	4
9	18048	BEARING CONE	1
10	22697	CAPSCREW, HEX HEAD (1/2 - 13 NC x 1 G5)	6
11	24710	CAPSCREW, HEX HEAD (1/2 - 13 NC x 3 G5)	6
12	69997	CLUTCH SHAFT -- 4 SHAFT WINCH	1
13	11892	THRUST BEARING RACE	4
14	70119	PLUG (CONTAINS ITEM 1)	2
15	70120	PLUG (1/4 NPT)	1
16	72097	O-RING	8
17	18170	O-RING	2
18	21833	O-RING	2
19	25023	O-RING	4
20	70158	RETAINING RING	2
21	70160	RETAINING RING	2
22	70361	BEARING RETAINER	2
23	25024	BACK-UP RING	4
24	70364	ROTARY SEAL SHAFT	2
25	70379	THRUST BEARING SPACER	2
26	70333	BACK-UP WASHER	2
27	70334	ROTARY SEAL	2
28	69991	PINION GEAR -- 18 TEETH - 4 SHAFT WINCH	1
29	70292	BRAKE HUB	1
30	69690	BEVEL GEAR SPACER	2
31	70376	BEARING CARRIER	2
32	69983	PINION SPACER -- 4 SHAFT WINCH	1
33	70247	SHIM SET	1
34	27844	SHIM .005	AR
	27845	SHIM .007	AR
	27846	SHIM .020	AR
35	27850	CLUTCH SHAFT BRG. CARRIER -- 4 SHAFT WINCH	1
36	69045	BRAKE HUB SPACER	1
37	70332	SPRING	1
38	75267	ROLLPIN	2
39	70358	SLEEVE	4

AR -- AS REQUIRED

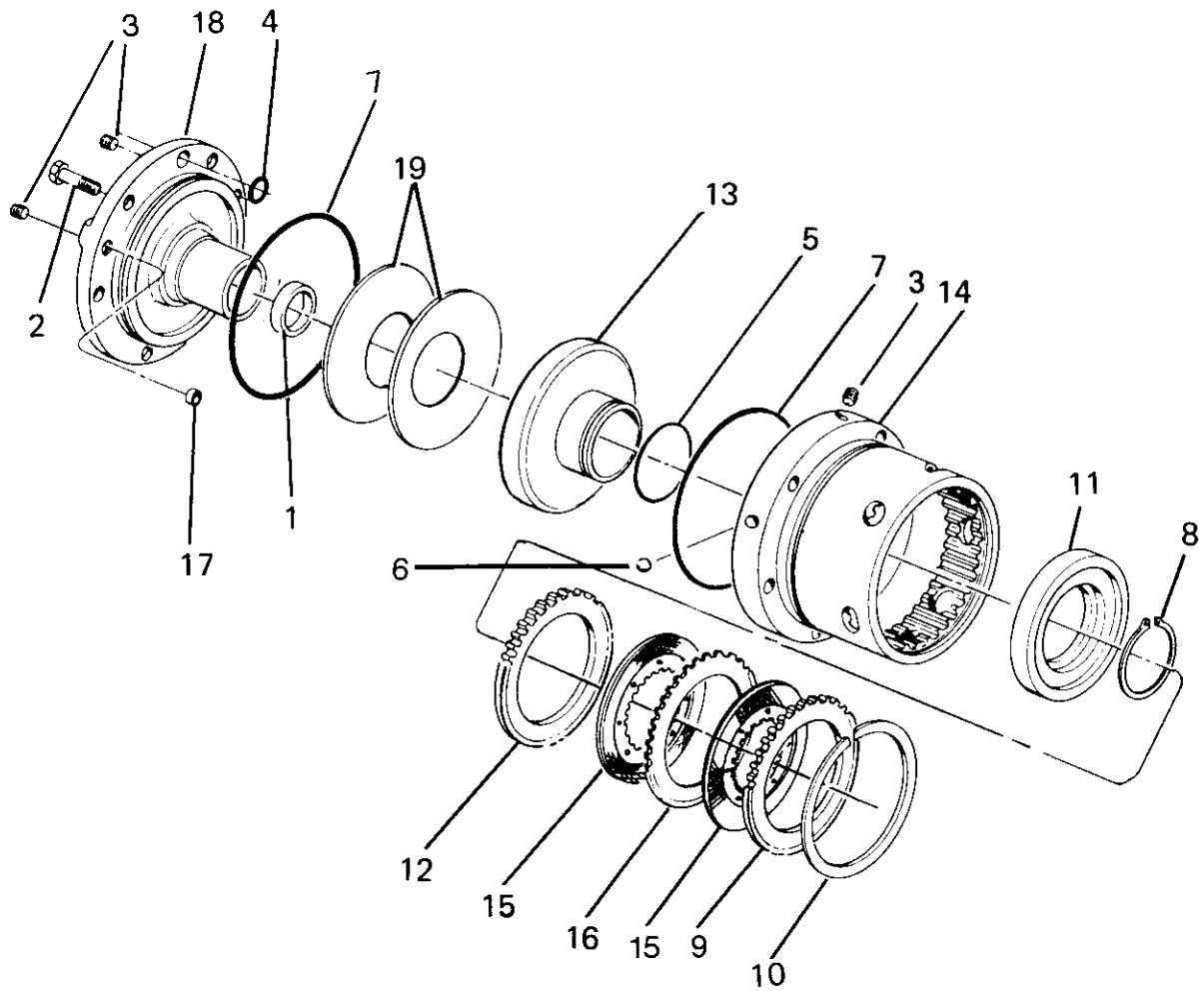
CLUTCH ASSEMBLY



ITEM	PART NO.	DESCRIPTION	QTY
—	81968	CLUTCH ASSEMBLY — INCLUDES ITEMS 1-16	
1	70177	PLUG, O-RING FLUSH — INCLUDES ITEM 15	2
2	70126	STEEL BALL	1
3	70130	SPRING	8
4	77367	O-RING	1
5	22357	O-RING	1
6	70170	RETAINING RING	1
7	26147	RETAINING RING	1
8	70328	SPRING RETAINER	1
9	70241	CHECK VALVE SEAT	1
10	26755	PRESSURE PLATE	1
11	28866*	CLUTCH HOUSING	1
12	70636	DISC — FRICTION, BRONZE	5
13	27861	DISC — STEEL .093 in. (2.36 mm)	4
14	70306	CLUTCH PISTON	1
15	70724	O-RING	2
16	70862	PIN	1

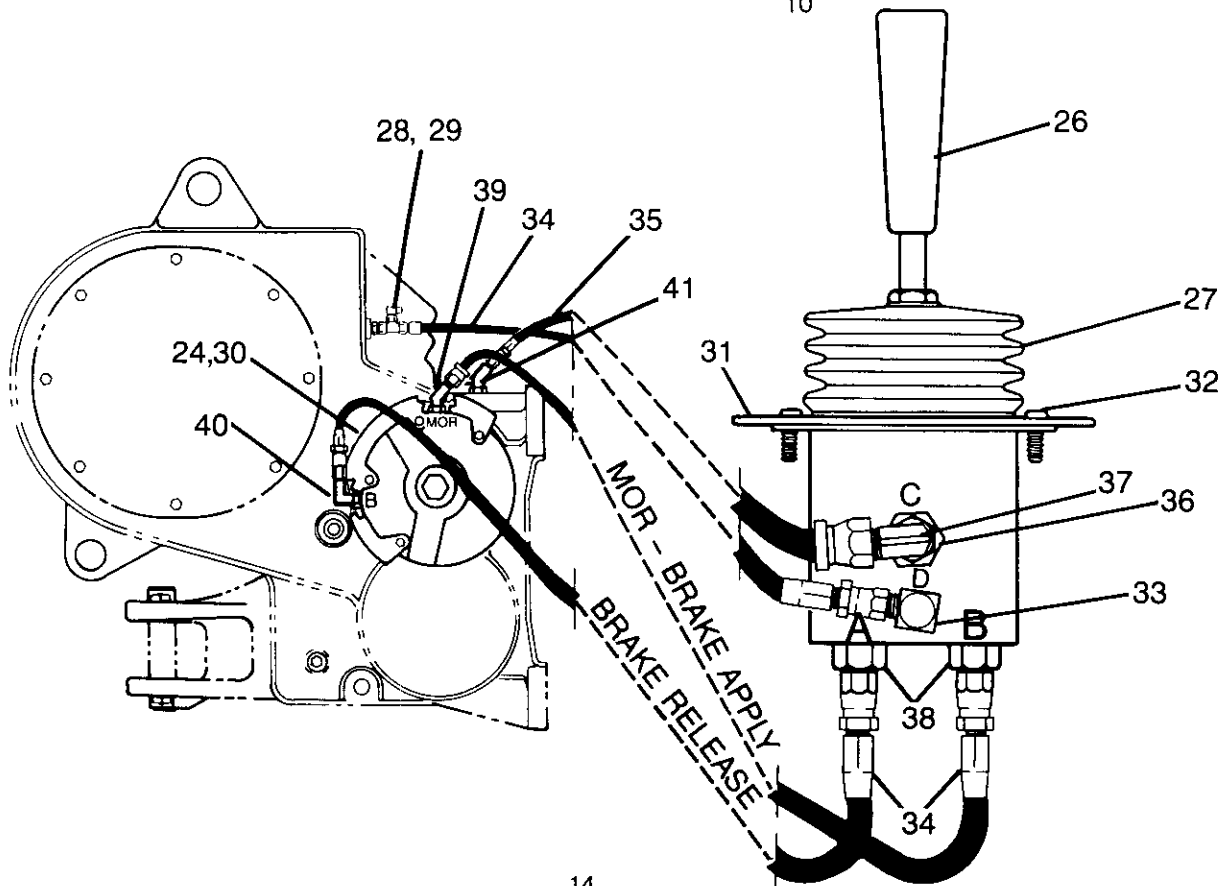
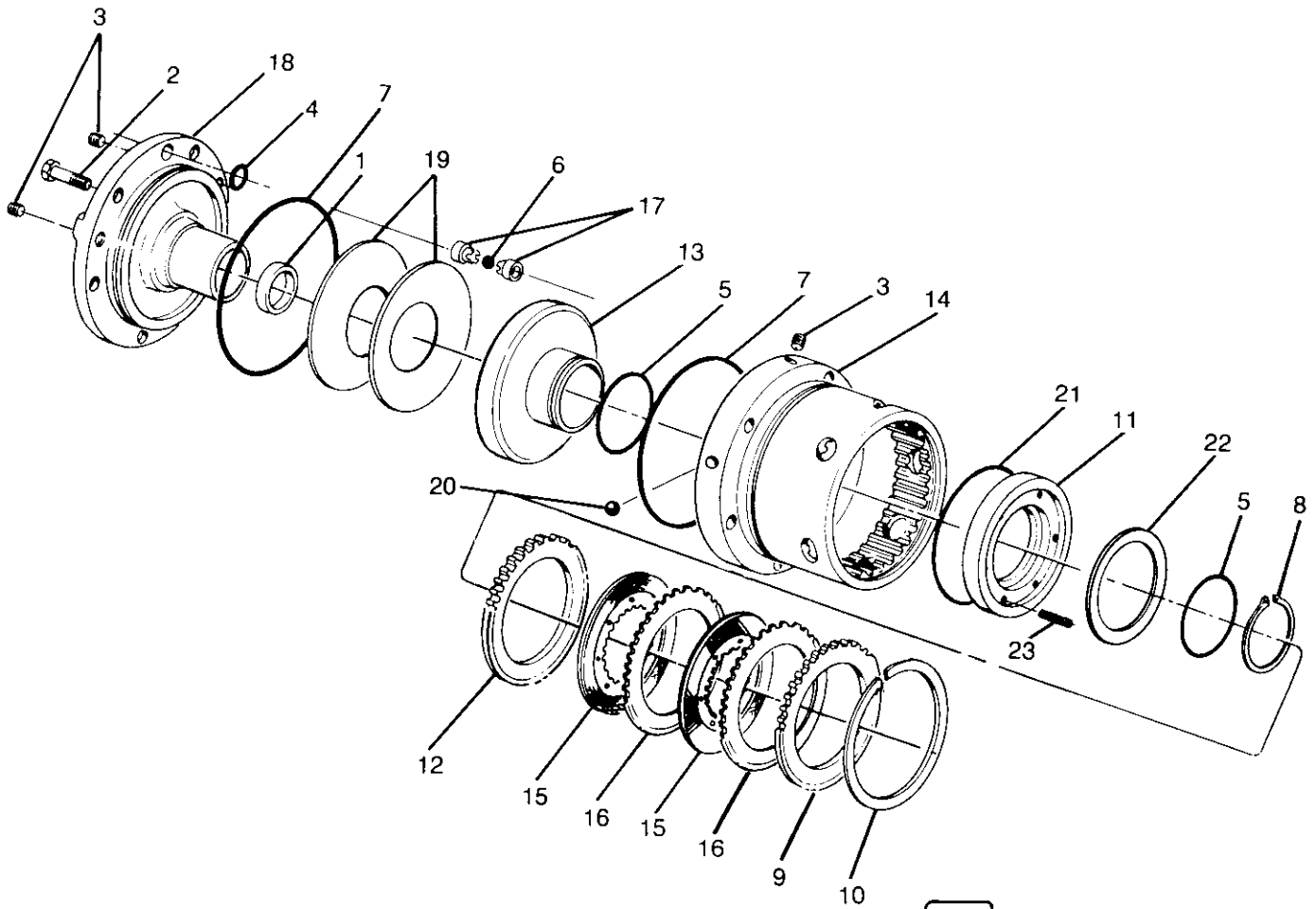
*Part No. 28866 includes Housing 70299 with two (2) steel balls 70126 driven into drilled passages.

BRAKE ASSEMBLY - STANDARD



ITEM	PART NO.	DESCRIPTION	QTY
—	81960	BRAKE ASSEMBLY, STD — INCLUDES ITEMS 1-20	
1	18049	BEARING CUP	1
2	21961	CAPSCREW, HEX HEAD (3/8 - 16 NC × 1 G5)	2
3	70120	PLUG, HEX SOCKET (1/4 NPT)	4
4	22454	O-RING	3
5	10330	O-RING	1
6	70126	STEEL BALL	2
7	22358	O-RING	2
8	69807	RETAINING RING	1
9	26755	PRESSURE PLATE — OUTER	1
10	26147	RETAINING RING	1
11	69976	PISTON RETAINER	1
12	70293	PRESSURE PLATE — INNER	1
13	69921	BRAKE PISTON	1
14	27841	BRAKE HOUSING (REQUIRES 2 OF ITEM 6)	1
15	70636	DISC — FRICTION BRONZE	8
16	27861	DISC STEEL — .093 in. (2.36 mm)	7
17	27843	INSERT	1
18	69994	BRAKE CARRIER	1
19	70255	BRAKE SPRING	2

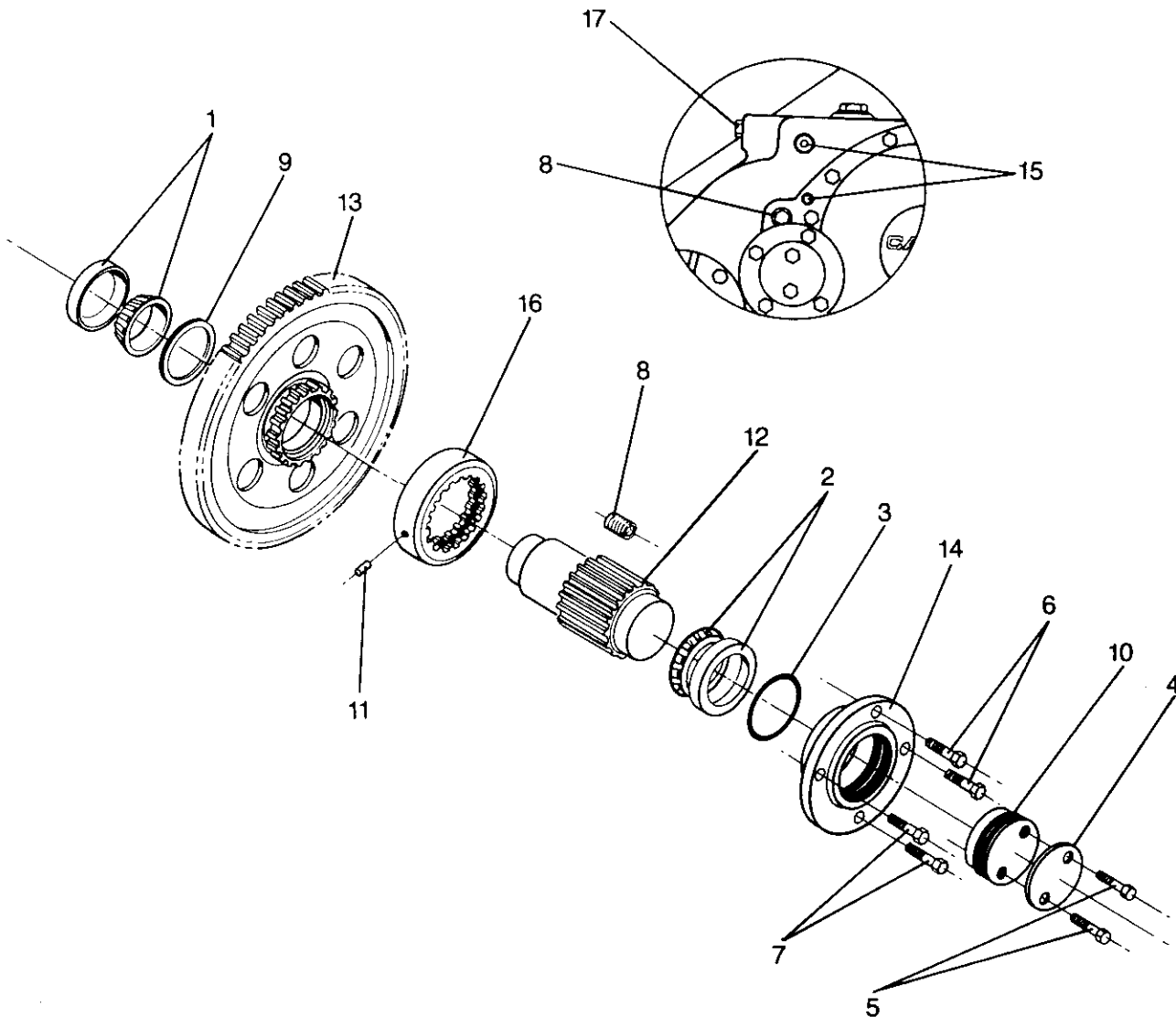
**MANUAL OVERRIDE (MOR)
BRAKE ASSEMBLY**



**MANUAL OVERRIDE (MOR)
BRAKE ASSEMBLY**

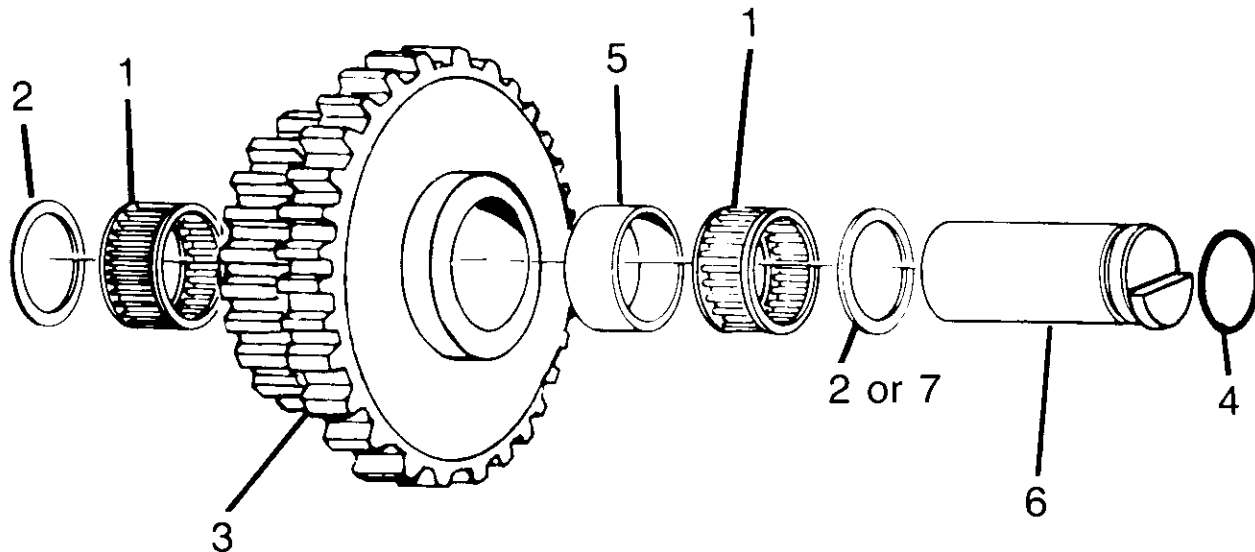
ITEM	PART NO.	DESCRIPTION	QTY
—	81961	BRAKE ASSEMBLY, MOR — INCLUDES ITEMS 1-23	
1	18049	BEARING CUP	1
2	21961	CAPSCREW, HEX HEAD	2
3	70120	PLUG, HEX SOCKET	3
4	22454	O-RING	3
5	10330	O-RING	2
6	12102	STEEL BALL	1
7	22358	O-RING	2
8	69807	RETAINING RING	1
9	26755	PRESSURE PLATE — OUTER	1
10	26147	RETAINING RING	1
11	69925	OVERRIDE PISTON	1
12	70293	PRESSURE PLATE — INNER	1
13	69921	BRAKE PISTON	1
14	27841	BRAKE HOUSING	1
15	70636	DISC — FRICTION BRONZE	8
16	27861	DISC — STEEL - .093 in. (2.36 mm)	7
17	27842	BALL GUIDE	2
18	69994	BEARING CARRIER	1
19	70255	BRAKE SPRING	2
20	70126	STEEL BALL	2
21	10450	O-RING	1
22	69924	SPRING RETAINER	1
23	69627	SPRING	6
24	69317	HOSE GUARD	1
25	69511	CONTROL VALVE (DOES NOT INCLUDE HANDLE)	1
26	26691	HANDLE	1
27	26692	BOOT	1
28	26002	SWIVEL TEE	1
29	70123	UNION 90° - 4	1
30	11073	WASHER	4
31	69513	DATA PLATE	1
32	11047	CAPSCREW, HEX HEAD	2
33	31348	ELBOW — 90° VALVE D PORT	1
34	70194	HOSE ASSEMBLY — PRESSURE	3
35	69499	HOSE ASSEMBLY — DRAIN	1
36	31286	ADAPTER VALVE C PORT	1
37	31426	UNION, 90° MALE VALVE C PORT	1
38	31284	ADAPTER	2
39	31333	ELBOW, 45° ¼ NPT - 4	1
40	31341	ELBOW, 90° ¼ NPT - 4	1
41	31335	ELBOW, 45° ⅜ NPT - 6	1

**IDLER SHAFT GROUP
WITHOUT FREESPOOL**



ITEM	PART NO.	DESCRIPTION	QTY.
1	69013	BEARING ASSEMBLY — INNER	1
2	69014	BEARING ASSEMBLY — OUTER	1
3	25880	O-RING	1
4	69655	LOCK PLATE	1
5	22729	CAPSCREW, HEX HEAD (1/2 - 13 x 3/4 G5)	2
6	22697	CAPSCREW, HEX HEAD (1/2 - 13 x 1 G5)	2
7	13421	CAPSCREW, HEX HEAD (1/2 - 13 x 2 G5)	2
8	27216	PLUG, SOCKET HEAD	1
9	11892	THRUST WASHER	1
10	69592	ADJUSTER	1
11	11836	ROLLPIN	1
12	69984	PINION, SECOND REDUCTION	1
13	27320	GEAR, FIRST REDUCTION	1
14	69974	CARRIER, IDLER SHAFT	1
15	25915	SCREW, SOCKET HEAD	2
16	69977	COLLAR	1
17	69782	CAPSCREW HEX HEAD (3/4 - 16 x 1 1/4 G5)	1

FOURTH SHAFT GROUP



FOR WINCH SERIAL NO. 9002141 TO 9002160 AND 9004003 AND UP.

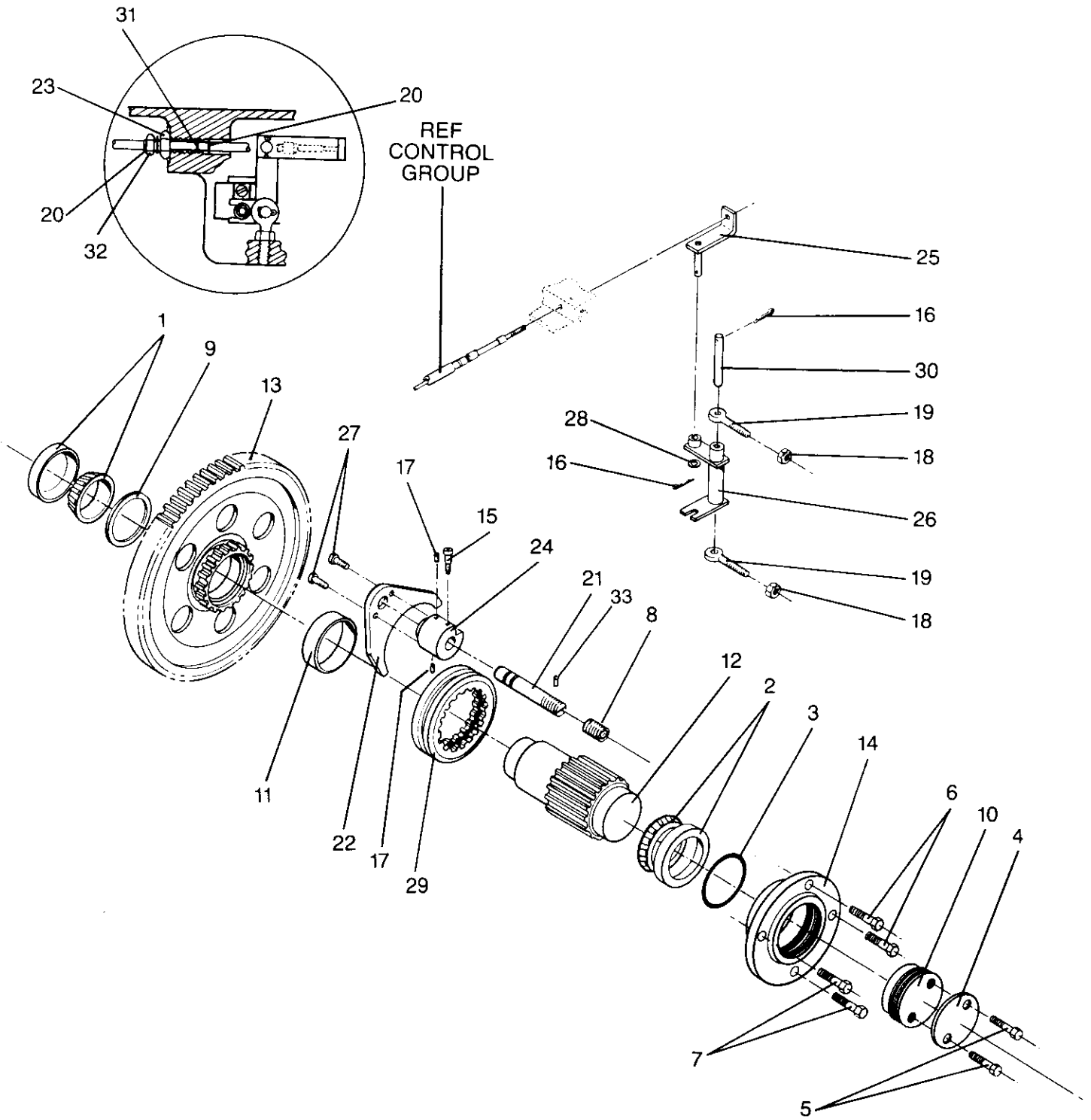
ITEM	PART NO.	DESCRIPTION	QTY
1	70648	ROLLER BEARING	2
2	24581	THRUST WASHER .062 in. (1.58 mm)	1
3	28925	CLUSTER GEAR 37/17 TEETH	1
4	13838	O-RING	1
5	28926	SPACER	1
6	69673	COUNTERSHAFT PIN	1
7	28924	THRUST WASHER .217 in. (5.5 mm)	1

FOR WINCH SERIAL NO. BUILT PRIOR TO 9004003, EXCEPT 9002141 TO 9002160.

ITEM	PART NO.	DESCRIPTION	QTY
1	70648	ROLLER BEARING	2
2	24581	THRUST WASHER .062 in. (1.58 mm)	2
3	69985	CLUSTER GEAR 37/17 TEETH **	1
4	13838	O-RING	1
5	70342	SPACER	1
6	69673	COUNTERSHAFT PIN	1

**IF REPLACING CLUSTER GEAR 69985 ON EARLY MODEL 70 or 70A, ORDER QTY. 1 OF 28925 CLUSTER GEAR, QTY. 1 OF 28926 SPACER AND QTY. 1 OF 28924 THRUST WASHER.

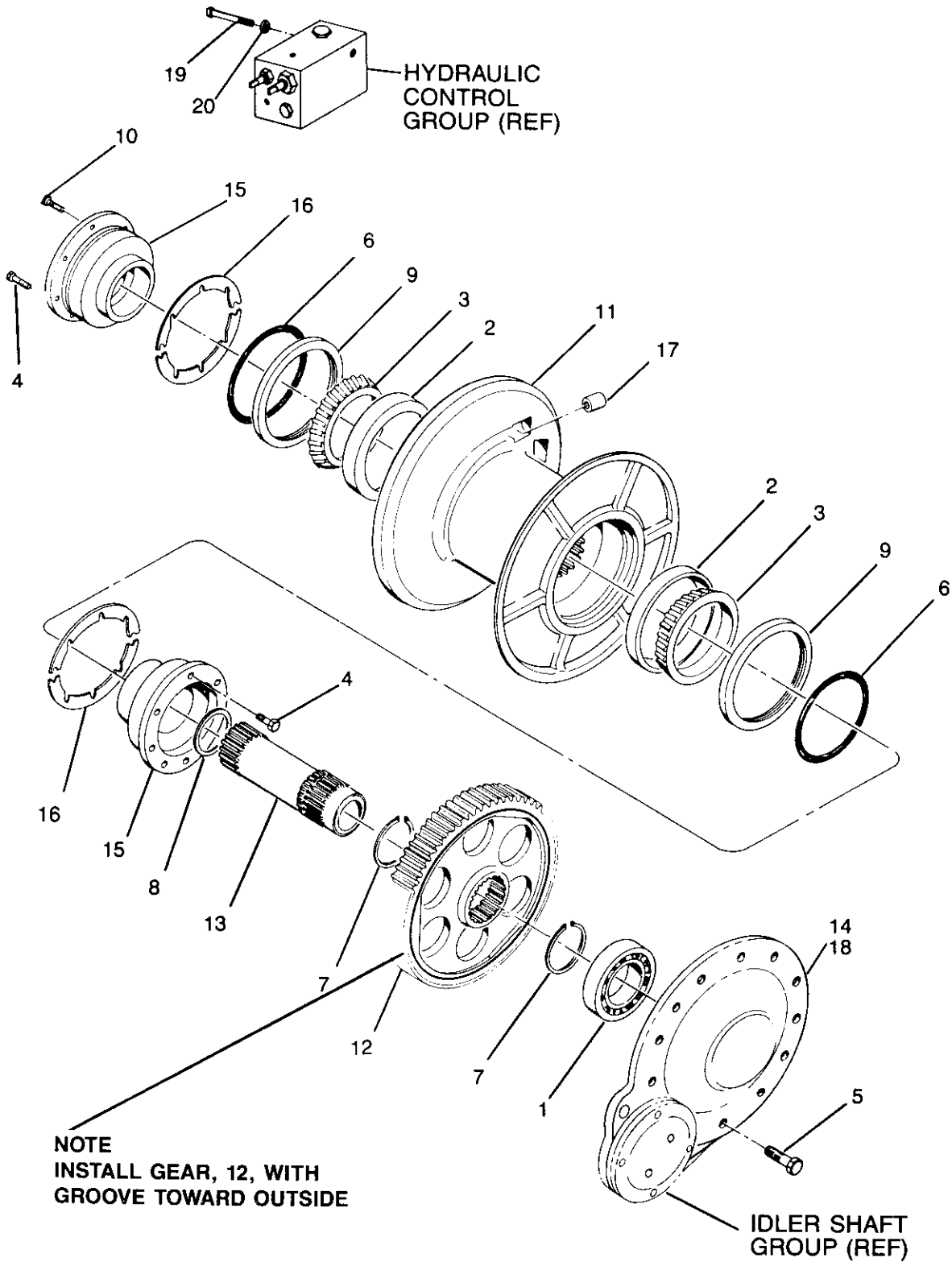
**IDLER SHAFT GROUP
WITH FREESPOOL**



**IDLER SHAFT GROUP
WITH FREESPOOL**

ITEM	PART NO.	DESCRIPTION	QTY.
1	69013	BEARING ASSEMBLY — INNER	1
2	69014	BEARING ASSEMBLY — OUTER	1
3	25880	O-RING	1
4	69655	LOCK PLATE	1
5	22729	CAPSCREW, HEX HEAD (1/2 - 13 x 3/4 G5)	2
6	22697	CAPSCREW, HEX HEAD (1/2 - 13 x 1 G5)	2
7	13421	CAPSCREW, HEX HEAD (1/2 - 13 x 2 G5)	2
8	27216	PLUG, SOCKET HEAD	1
9	11892	THRUST WASHER	1
10	69592	ADJUSTER	1
11	70349	BUSHING	1
12	69984	PINION, SECOND REDUCTION	1
13	69980	GEAR, FIRST REDUCTION	1
14	69974	CARRIER, IDLER SHAFT	1
15	70166	SHOULDER SCREW	1
16	70861	COTTER PIN	2
17	70136	BALL PLUNGER	2
18	18004	JAM NUT	2
19	70370	ROD END	2
20	69653	RETAINING RING	2
21	81921	SHIFT RAIL, INCLUDES ITEM 33	1
22	70348	YOKE	1
23	11059	JAM NUT	1
24	69263	SHIFT COLLAR	1
25	70652	CABLE CONNECTOR	1
26	69262	BELLCRANK WELDMENT	1
27	22693	CAPSCREW, HEX HEAD (3/8 - 16 x 3/4 G5)	2
28	11073	WASHER (1/2)	1
29	69979	COLLAR	1
30	69978	PIN	1
31	21119	O-RING	1
32	69963	CONTROL CABLE ADJUSTER	1
33	27475	NYLON PELLETT	1

CABLE DRUM GROUP



CABLE DRUM GROUP

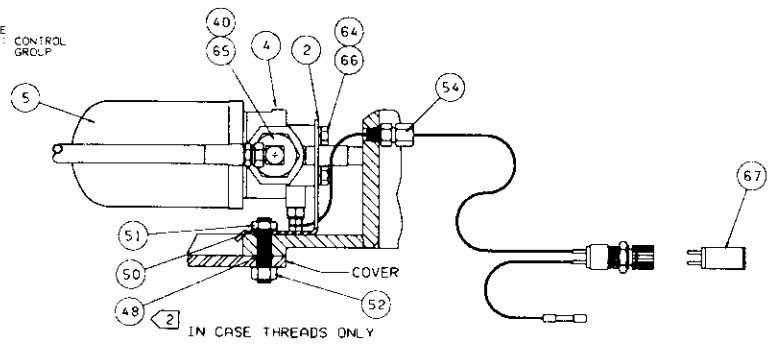
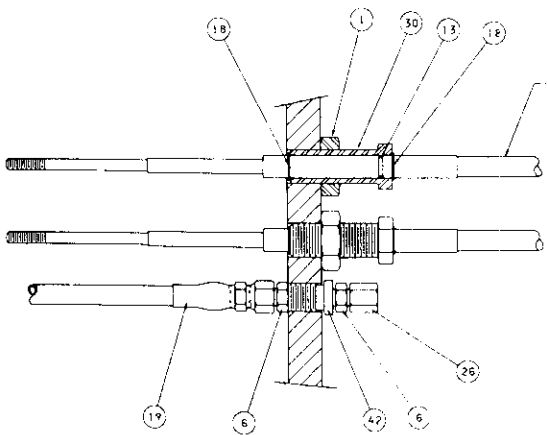
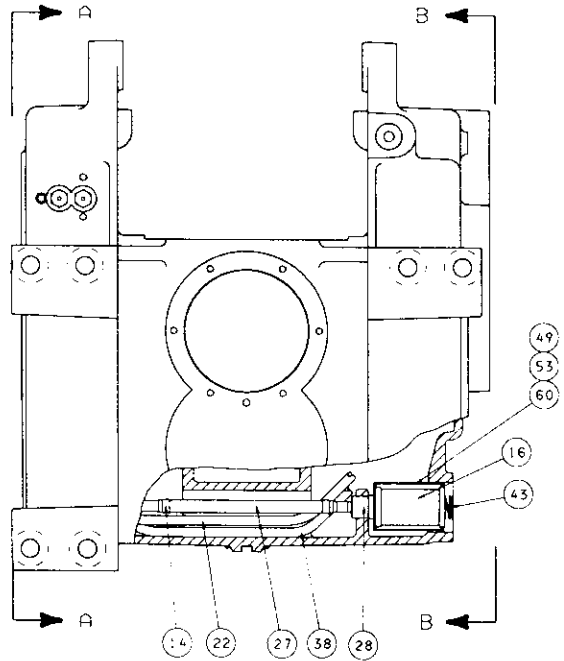
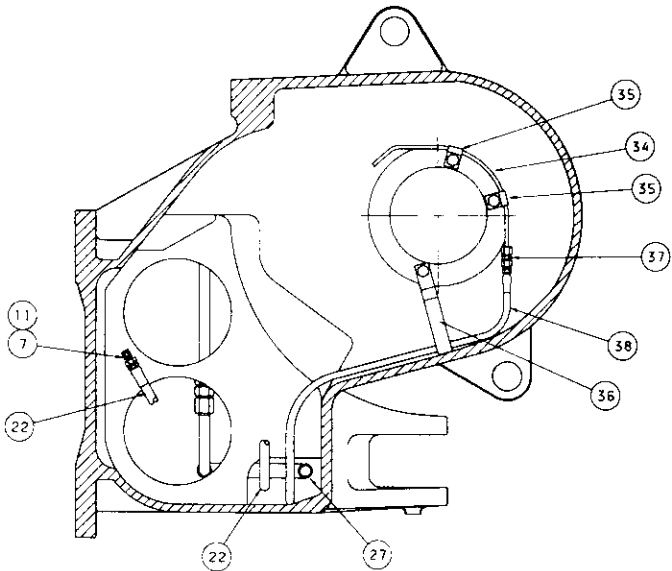
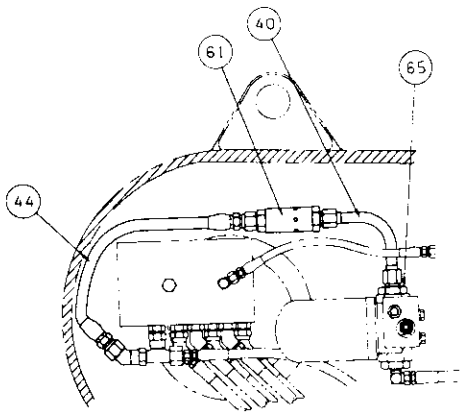
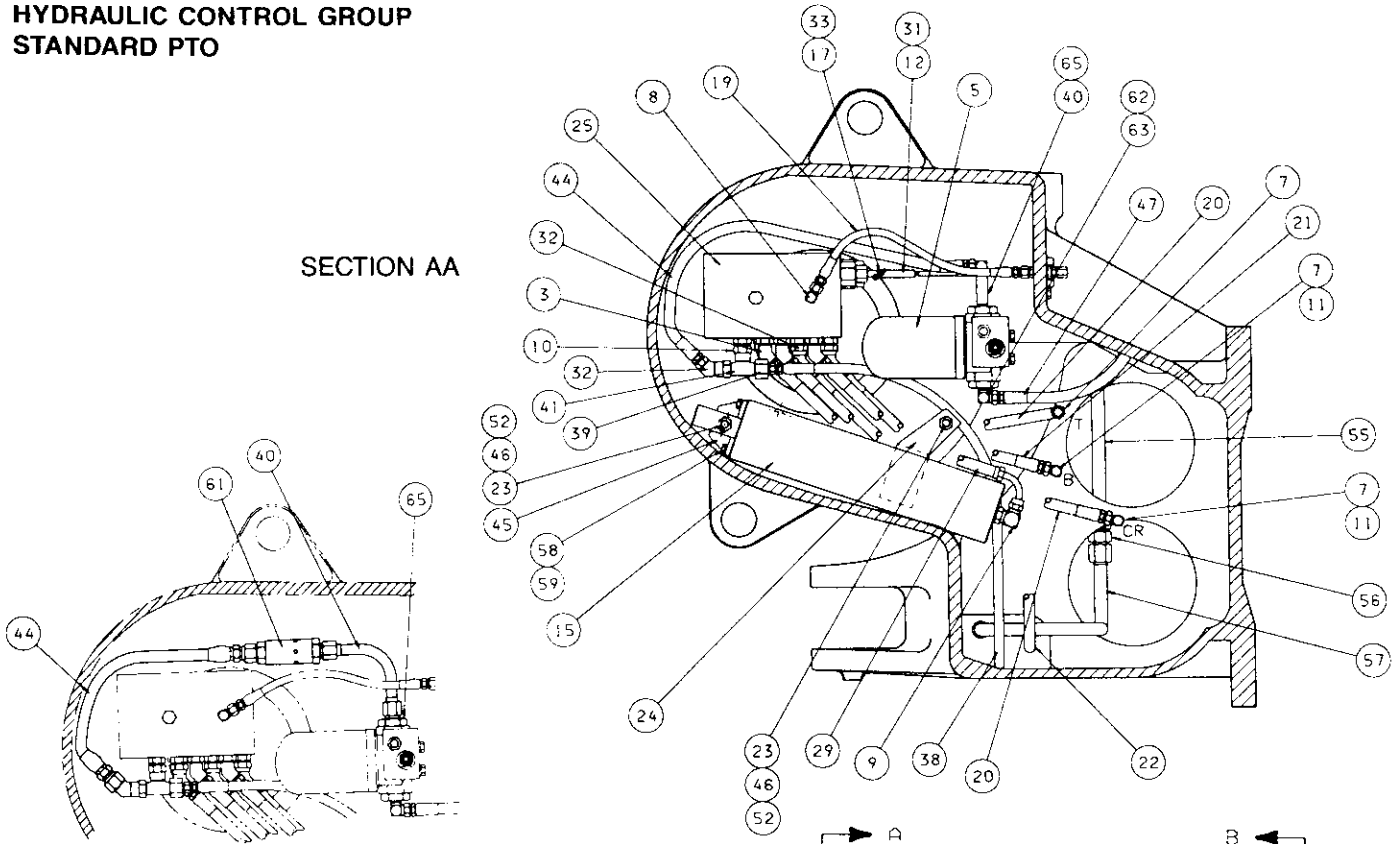
CABLE DRUM GROUP

ITEM	PART NO.	DESCRIPTION	QTY.
1	70070	BALL BEARING	1
2	70078	BEARING CUP	2
3	70079	BEARING CONE	2
4	27745	CAPSCREW, HEX HEAD (1/2 - 13 x 1 G5 - SS)	10
5	13938	CAPSCREW, HEX HEAD (1/2 - 13 x 1 1/4 G5)	11
6	70140	O-RING	2
7	70513	RETAINING RING	2
8	70164	RETAINING RING	1
9	70167	OIL SEAL	2
10	27743	CAPSCREW, SOCKET HEAD (1/2 - 13 x 1 G8 - SS)	1
11	69998	CABLE DRUM, STANDARD CAST IRON	1
	29019	CABLE DRUM, HEAVY DUTY CAST STEEL	1
12	68863	GEAR, 2ND REDUCTION	1
13	69988	SHAFT, 2ND REDUCTION	1
14	28954	BEARING CARRIER, COVER	1
15	27311	BEARING CARRIER, DRUM	2
16	70264	SHIM SET (1 pair ea., .005 in., .007 in., .020 in., .13 mm, .18 mm, .5 mm)	1-2
17	29425	FERRULE — 7/8 in. x (22 mm) WIRE ROPE	1
	29426	FERRULE — 1 in. x (26 mm) WIRE ROPE — STD.	1
18	—	NO GASKET, USE DOW RTV 732 OR EQUIVALENT	—
19	27744	CAPSCREW, HEX HEAD (1/2 - 13 x 5 G5 - SS)	1
20	11073	WASHER (1/2)	1

SS - SELF SEALING

**HYDRAULIC CONTROL GROUP
STANDARD PTO**

SECTION AA



**HYDRAULIC CONTROL GROUP
STANDARD PTO**

ITEM	PART NO.	DESCRIPTION	QTY.
1	11059	JAM NUT	2
2	27741	FILTER BRACKET	1
3	69605	ELBOW - 45° - 8 VALVE PORTS A, B	2
4	27390	FILTER HEAD	1
5	27389	FILTER ELEMENT	1
6	21219	ADAPTER 1/8 - NPT - 4	2
7	70106	ADAPTER - 8	4
8	25131	ELBOW - 90° - 4 VALVE PORT G	1
9	74068	ELBOW - 90° - 8	1
10	70100	ADAPTER VALVE PORTS P, T, C1, C2	4
11	29046	ADAPTER - 90° - 8	3
12	69771	CLEVIS YOKE	2
13	21119	O-RING	2
14	30997	CLAMP, SUCTION HOSE	1
15	81959	ACCUMULATOR ASSEMBLY - SPRING TYPE (REF. PG. 24)	1
16	70189	SUCTION STRAINER	1
17	69313	CLEVIS PIN	2
18	69653	RETAINING RING	4
19	25750	HOSE - VALVE TO GAUGE PORT	1
20	70272	HOSE - 24 in. (610 mm) VALVE TO T, CR	2
21	69526	HOSE - 18 in. (457 mm) VALVE TO B	1
22	27989	HOSE - 50 in. (1,270 mm) VALVE TO CL	1
23	11026	LOCKWASHER - 1/2	2
24	27848	ACCUMULATOR CLAMP BRACKET	1
25	27689	CONTROL VALVE ASSEMBLY (REF. PG. 25)	1
26	70182	CAP - 4	1
27	27981	SUCTION HOSE ASSEMBLY	1
28	69051	CONNECTOR	1
29	27982	HOSE - 16 in. (406 mm) VALVE TO ACCUMULATOR	1
30	69963	ADJUSTER, CONTROL CABLE	2
31	13468	JAM NUT - 1/4 - 28	2
32	69516	ADAPTER - 45° - 8 VALVE PORTS P, T, C1, C2	3
33	69312	HITCH PIN	2
34	68996	LUBE TUBE	1
35	68994	CLAMP, LUBE TUBE	2

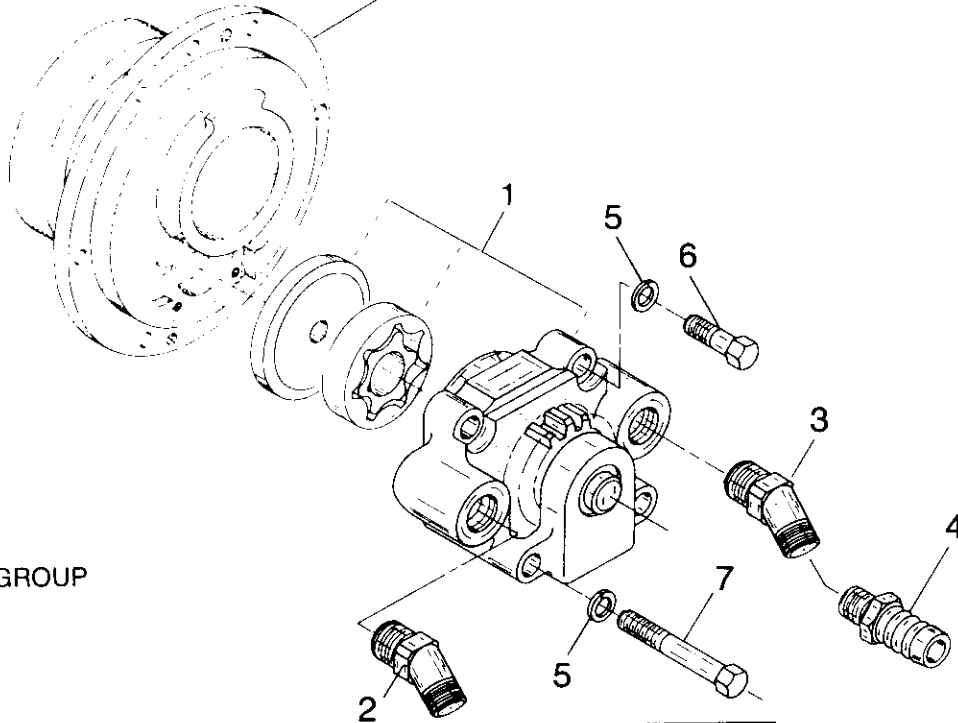
ITEM	PART NO.	DESCRIPTION	QTY.
36	68995	CLAMP, LUBE TUBE	1
37	25891	UNION - 4	1
38	25893	HOSE, LUBRICATION	1
39	27396	REDUCER - 8 - 4 VALVE PORT P	1
40	27392	ELBOW 90° XLG 1/2 NPT - 8	1
	29335	TUBE ASSEMBLY - FLOW CONTROL*	1
41	69330	TEE, SWIVEL - 8 VALVE PORT P	1
42	27386	SLEEVE	1
43	26005	SPRING	1
44	27983	HOSE - 26 in. (660 mm) FLTR TO VALVE W/O FLO CTL	1
	27979	HOSE - 17 in. (432 mm) FLOW CONTROL TO VALVE*	1
45	27847	ACCUMULATOR MOUNTING ANGLE	1
46	27849	STUD (1/2 - 13 x 2 3/4)	2
47	27979	HOSE - 17 in. (432 mm) PUMP TO FILTER	1
48	27081	STUD (1/2 - 13 NC x 2 1/4)	1
49	29020	SUCTION STRAINER SHIELD	1
50	12781	LOCKWASHER, SHAKEPROOF - 1/2	1
51	23583	JAM NUT (1/2 - 13)	1
52	11788	HEX NUT (1/2 - 13)	5
53	29021	SEAL RING .25 in. (6.4 mm) THICK	1
54	61914	WIRING ASSEMBLY - INCLUDES ITEM 67	1
55	27977	UPPER SUCTION TUBE	1
56	27990	UNION, TUBING	1
57	27978	LOWER SUCTION TUBE	1
58	11766	CAPSCREW, HEX HEAD (5/16 - 18 x 7/8 G5)	2
59	11024	LOCKWASHER - 5/16	2
60	29023	SEAL RING .06 in. (1.5 mm) THICK	1-2
61	29334	FLOW CONTROL VALVE*	1
62	31347	ELBOW 90° 1/2 NPT - 8	1
63	27397	ADAPTER - 1/2 NPT	1
64	18003	LOCKWASHER 3/8	2
65	27397	ADAPTER - 1/2 NPT USED W/O FLO CTL	1
	29352	ADAPTER - 8 USED WITH FLO CTL*	1
66	22693	CAPSCREW, HEX HEAD 3/8 - 16 x 3/4 G5	2
67	27091	INDICATOR LAMP	1

*FLOW CONTROL VALVE USED IN S/N 9200557 AND LATER

HYDRAULIC COMPONENTS

REF. BEVEL PINION GROUP

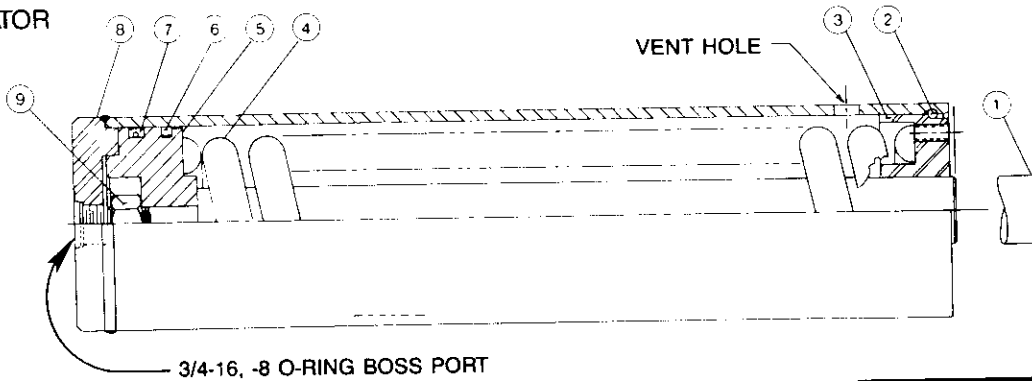
PUMP GROUP



ITEM	PART NO.	DESCRIPTION	QTY
1	68772	PUMP ASSEMBLY	1
2	26752	ELBOW, 45° — 8 PRESSURE SIDE*	1
3	27991	ELBOW, 45° SUCTION — STD PTO	1
	69047	ELBOW, 45° 1/2 NPT ADAPTER — LOW PTO	1
4	69048	BARBED HOSE ADAPTER — LOW PTO	1
5	11015	LOCKWASHER — 1/4	4
6	27996	CAPSCREW, HEX HEAD 1/4 - 20 x 1 1/2 G8)	2
7	27997	CAPSCREW, HEX HEAD 1/4 - 20 x 3 G8	2

*ITEMS 2, 3 & 4 SHOWN FOR COUNTERCLOCKWISE (CCW) BEVEL PINION ROTATION. REVERSE PORT LOCATION FOR CLOCKWISE (CW) BEVEL PINION ROTATION.

ACCUMULATOR ASSEMBLY

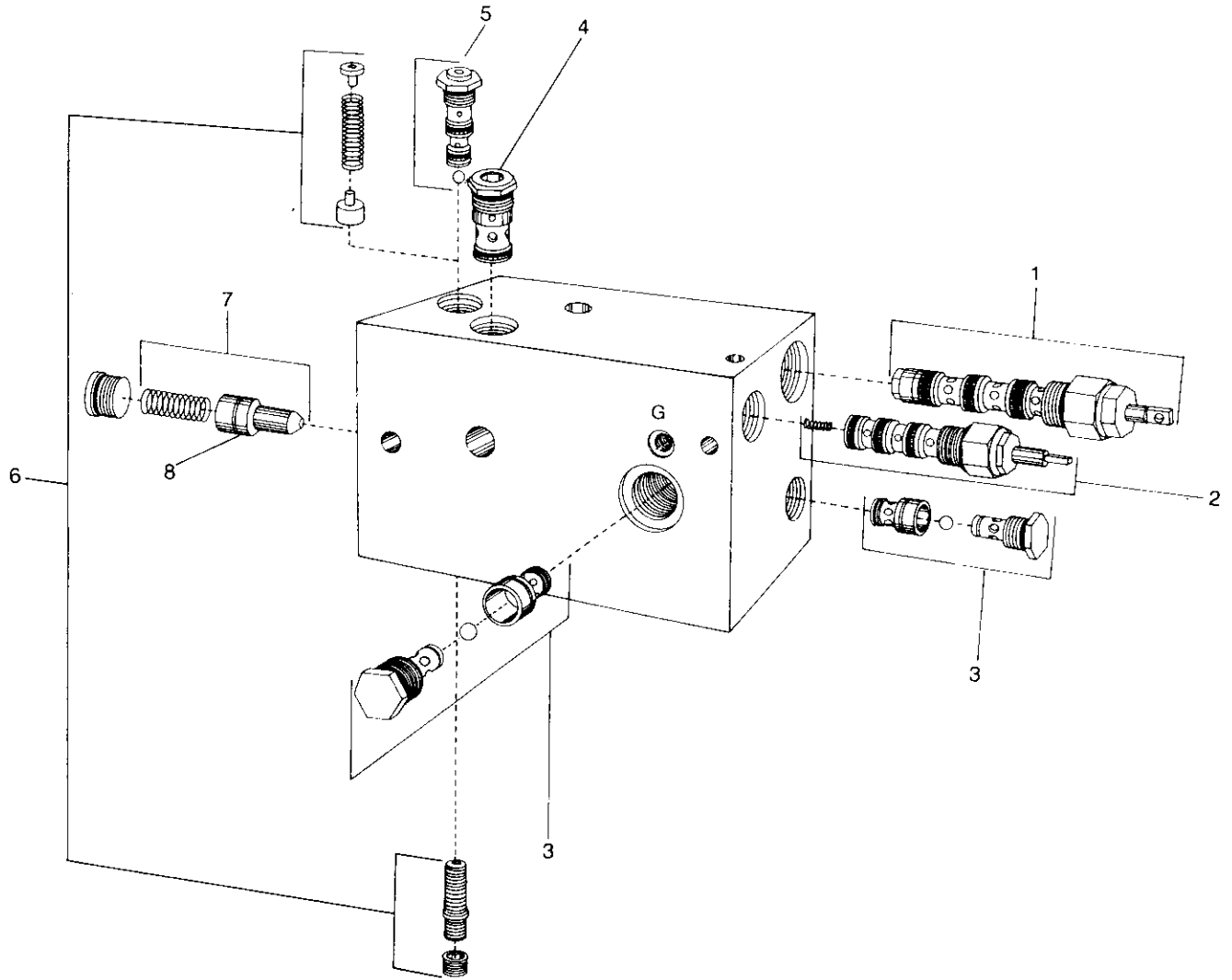


ITEM	PART NO.	DESCRIPTION	QTY
1	NSS	ROD	1
2	27836	RETAINING RING	1
3	NSS	ROD GUIDE	1
4	NSS	SPRING	1
5	NSS	PISTON	1
6	27833	CAST IRON PISTON RING	1
7	27832	SEAL ASSEMBLY	1
8	NSS	TUBE ASSEMBLY	1
9	NSS	NUT	1
—	62131	SEAL KIT (CONTAINS ITEMS 2, 6 & 7)	

⚠ DANGER

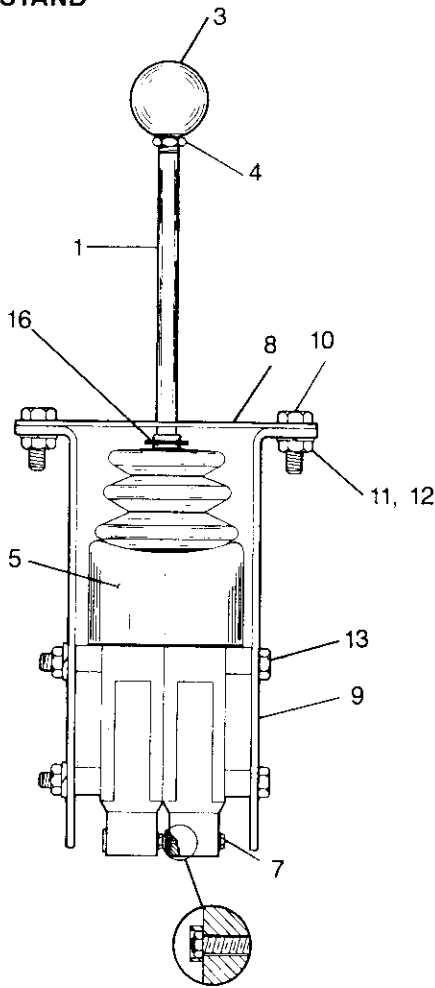
2,000 LB. (900 Kg) SPRING PRELOAD — USE PRESS FOR DISASSEMBLY PER SERVICE INSTRUCTIONS IN SERVICE BULLETIN 95. PROPERTY DAMAGE, SEVERE PERSONAL INJURY OR DEATH MAY RESULT IF ROD GUIDE REMOVAL IS ATTEMPTED WITHOUT A PRESS.

CONTROL VALVE ASSEMBLY
27689

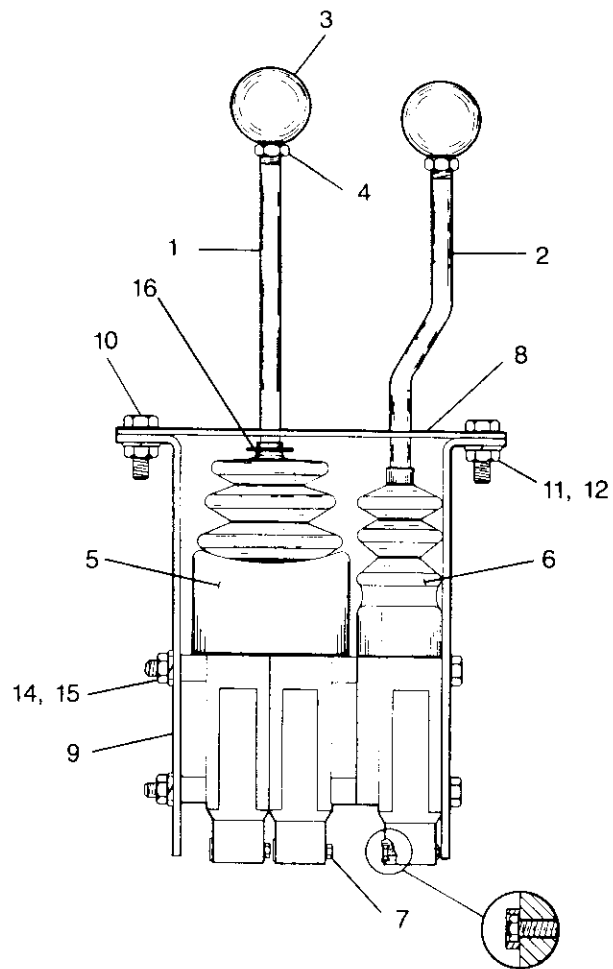


ITEM	PART NO.	DESCRIPTION	QTY.
1	26712	DIRECTIONAL CONTROL CARTRIDGE	1
	61838	SEAL KIT FOR ITEM 1	1
2	26713	BRAKE CONTROL CARTRIDGE	1
	61839	SEAL KIT FOR ITEM 2	1
3	26715	SHUTTLE VALVE ASSEMBLY	2
	61841	SEAL KIT FOR ITEM 3	2
4	27672	CHECK VALVE CARTRIDGE	1
	61840	SEAL KIT FOR ITEM 4	1
5	26716	DIFFERENTIAL UNLOADING PILOT VALVE CARTRIDGE	1
	61842	SEAL KIT FOR ITEM 5	1
6	62063	DIF. UNLOADING VALVE REPAIR KIT, INCLUDES ITEM 5	5
7	62062	UNLOADING POPPET ASSEMBLY	1
8	22454	O-RING	1

CONTROL STAND



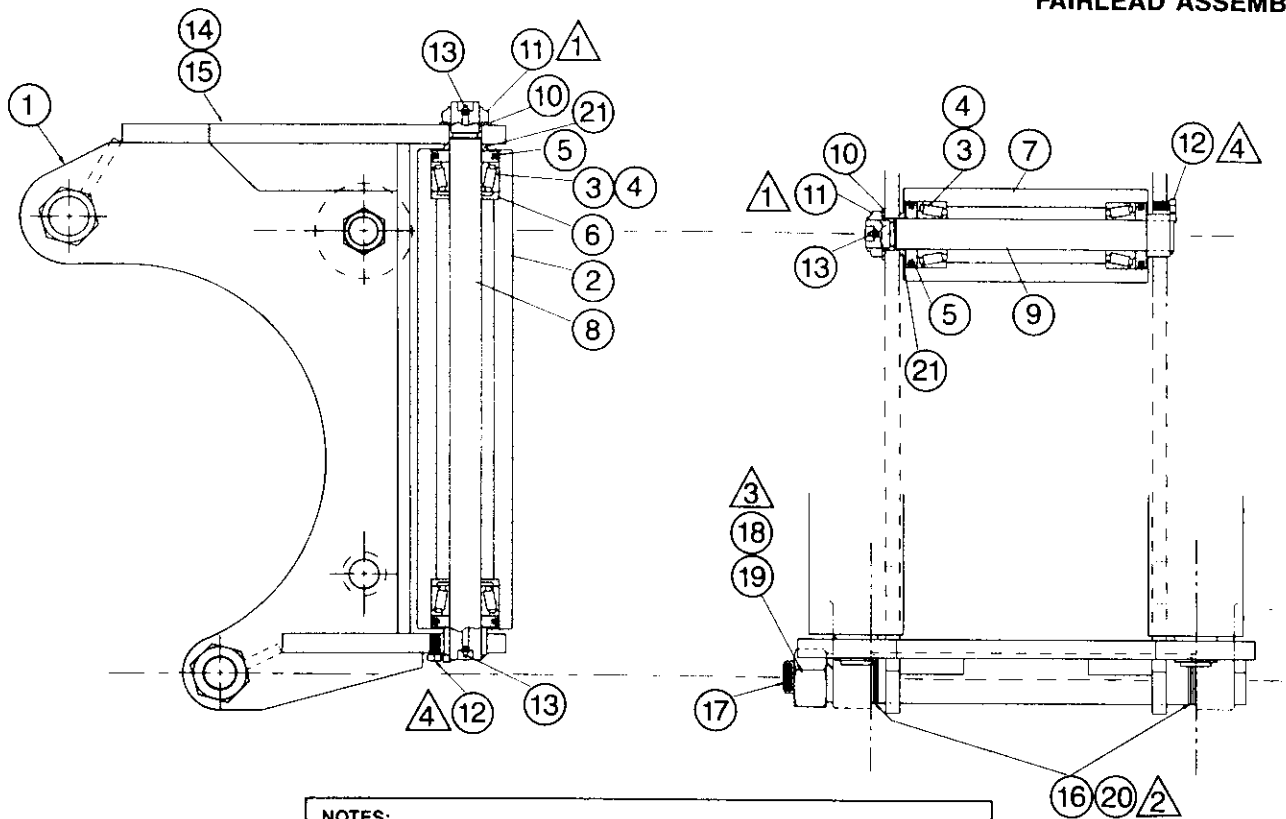
**CONTROL STAND KIT
81965 WITHOUT FREESPOOL**



**CONTROL STAND KIT
69667 WITH FREESPOOL**

ITEM	PART NO.	DESCRIPTION	QTY.
	81965	CONTROL STAND KIT WITHOUT FREESPOOL	
	69667	CONTROL STAND KIT WITH FREESPOOL	
1	27393	CONTROL ASSEMBLY — POWER SHIFT (CONTAINS CONTROL PLUS ITEMS 3, 4, 5 & 7)	1
2	69444	CONTROL ASSEMBLY — FREESPOOL (CONTAINS CONTROL PLUS ITEMS 3, 4, 6 & 7)	1
3	26696	KNOB	1-2
4	12793	JAM NUT	1-2
5	26697	BOOT — FOR ITEM 1	1
6	26698	BOOT — FOR ITEM 2	1
7	—	CAPSCREW — CABLE LOCK 10-32 UNF × 1 ³ / ₁₆ " LG	2-3
8	69893	GATE PLATE, WITH F.S.	1
	27865	GATE PLATE, WITHOUT F.S.	1
9	69891	CONTROL STAND BRACKET	2
10	69643	CAPSCREW, HEX HEAD — 1/4 - 20 × 3/4 G5	4
11	23195	LOCKWASHER — 1/4	4
12	69645	NUT, HEX — 1/4 - 20	4
13	69642	CAPSCREW, HEX HEAD — 5/16 - 18 × 5 1/2 G5	3
	27878	CAPSCREW, HEX HEAD — 5/16 - 18 × 4 G5	3
14	69640	LOCKWASHER — 5/16	3
15	69644	NUT, HEX — 5/16 - 18	3
16	32489	TIE STRAP	1

FAIRLEAD ASSEMBLY



NOTES:

⚠ WHILE TURNING ROLLER, TIGHTEN NUT. WHEN ROLLER WILL TURN NO LONGER, BACK NUT OFF 1/4 TURN.

⚠ TIGHTEN UNTIL WASHER IS FLATTENED THEN TURN 1 FLAT.

⚠ SHIM BOTH SIDES AS REQUIRED TO REDUCE END PLAY TO LESS THAN .030 in. (.8 mm).

⚠ APPLY "LOCTITE 242" AND INSTALL WITH FLAT TANGENT TO HOLE PRIOR TO INSTALLATION OF SHAFT.

ITEM	PART NO.	DESCRIPTION	QUANTITY	
			3 ROLLER	4 ROLLER
	81970	3 ROLLER FAIRLEAD ASSEMBLY		
	81971	4 ROLLER FAIRLEAD ASSEMBLY		
1	27817	FAIRLEAD FRAME	1	1
2	36788	ROLLER — VERTICAL	2	2
3	70833	BEARING CONE	6	8
4	70834	BEARING CUP	6	8
5	70864	DUST GUARD ASSEMBLY	6	8
6	70865	GREASE RETAINER	4	4
7	27886	ROLLER — HORIZONTAL	1	2
8	36797	SHAFT — VERTICAL	2	2
9	27901	SHAFT — HORIZONTAL	1	2
10	70850	WASHER	3	4
11	70863	LOCK NUT	3	4
12	22729	CAPSCREW, HEXHEAD (1/2 NC x 3/4 GD5)	3	4
13	18047	GREASE FITTING	5	6
14	69534	NAMEPLATE	1	1
15	70053	DRIVE SCREW	4	4
16	24912	SHIM .030 in. (.8 mm)	4-AR	4-AR
17	28772	TIE BOLT	1	1
18	27666	LOCK WASHER	1	1
19	27655	NUT, HEX HEAD	1	1
20	25590	SHIM .125 in. (3.18 mm)	6-AR	6-AR
21	70880	SPACER	3	4

AR - AS REQUIRED