

CARCO®

PARTS MANUAL MODEL 70 PS AND PSC WINCH FOR JOHN DEERE JD850B TRACTOR

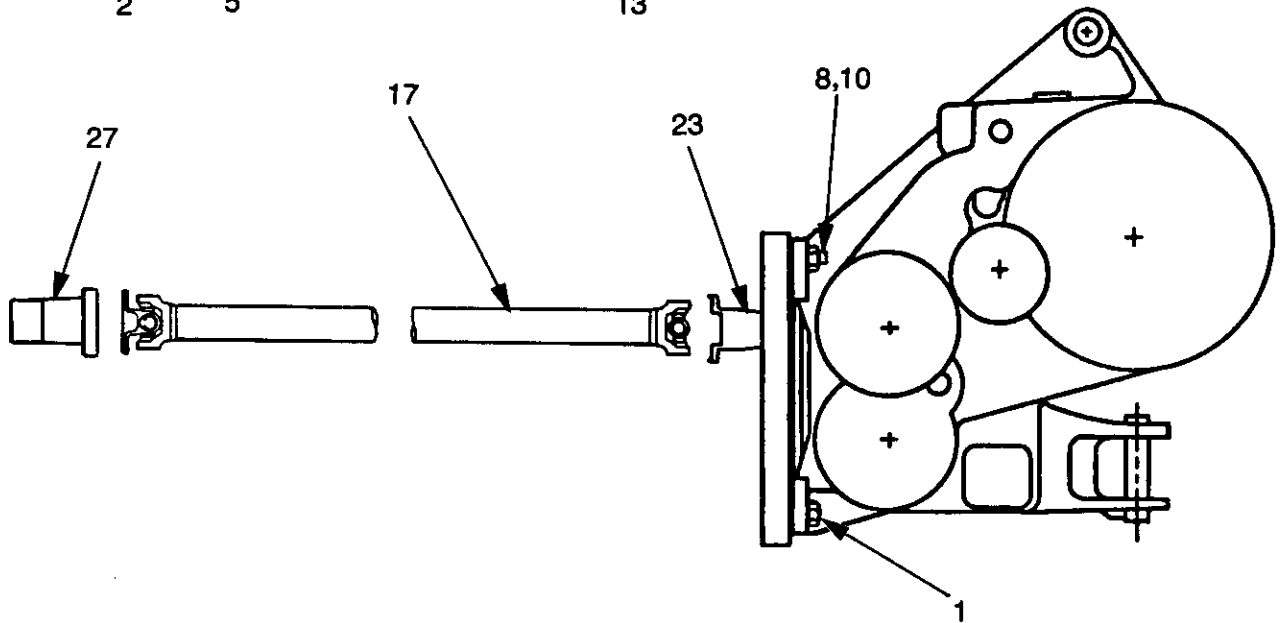
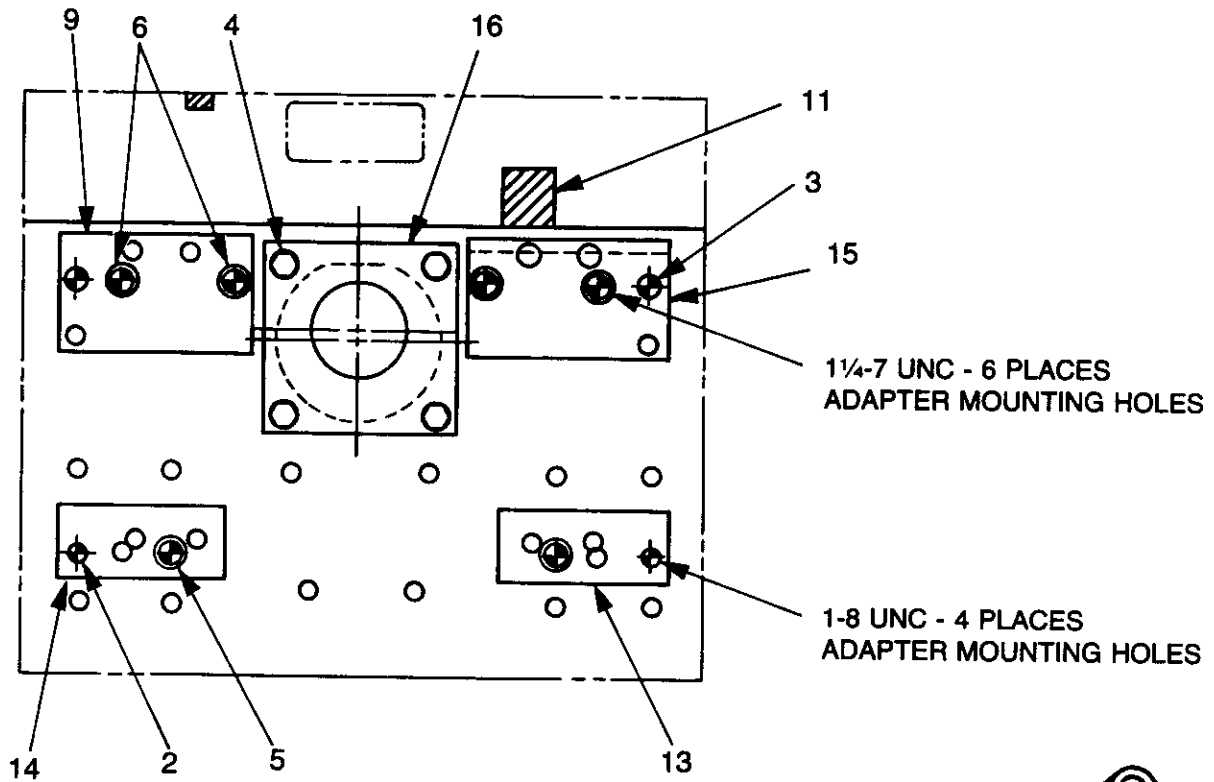
TABLE OF CONTENTS

	PAGE
Mounting Group	2
Control Group	5
Bevel Gear Group	6
Pump Group	7
Case and Covers	8
Clutch Shaft Group	10
Clutch Assembly	12
Brake Assembly – Standard	13
Brake Assembly – Manual Override	14
Idler Shaft Group – With Freespool	16
Idler Shaft Group – Without Freespool	18
Forth Shaft Group	19
Cable Drum Group	20
Hydraulic Control Group	22
Hydraulic Control Valve	24
Control Stand	25
Fairlead	26

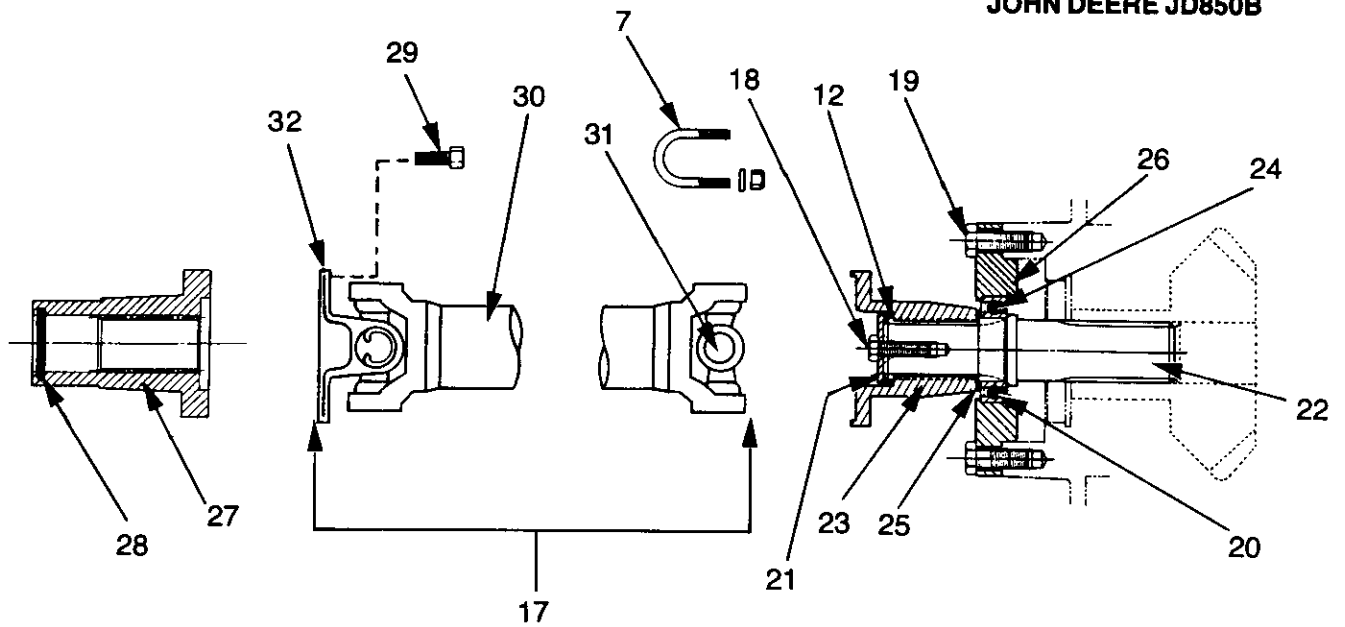
PACCAR WINCH DIVISIONS

P.O. BOX 547 • BROKEN ARROW, OK 74013
PHONE: (918) 251-8511 • TELEX: 492340 • FAX: (918) 258-4822

**MODEL 70 PS & PSC
MOUNTING GROUP
JOHN DEERE JD850B**



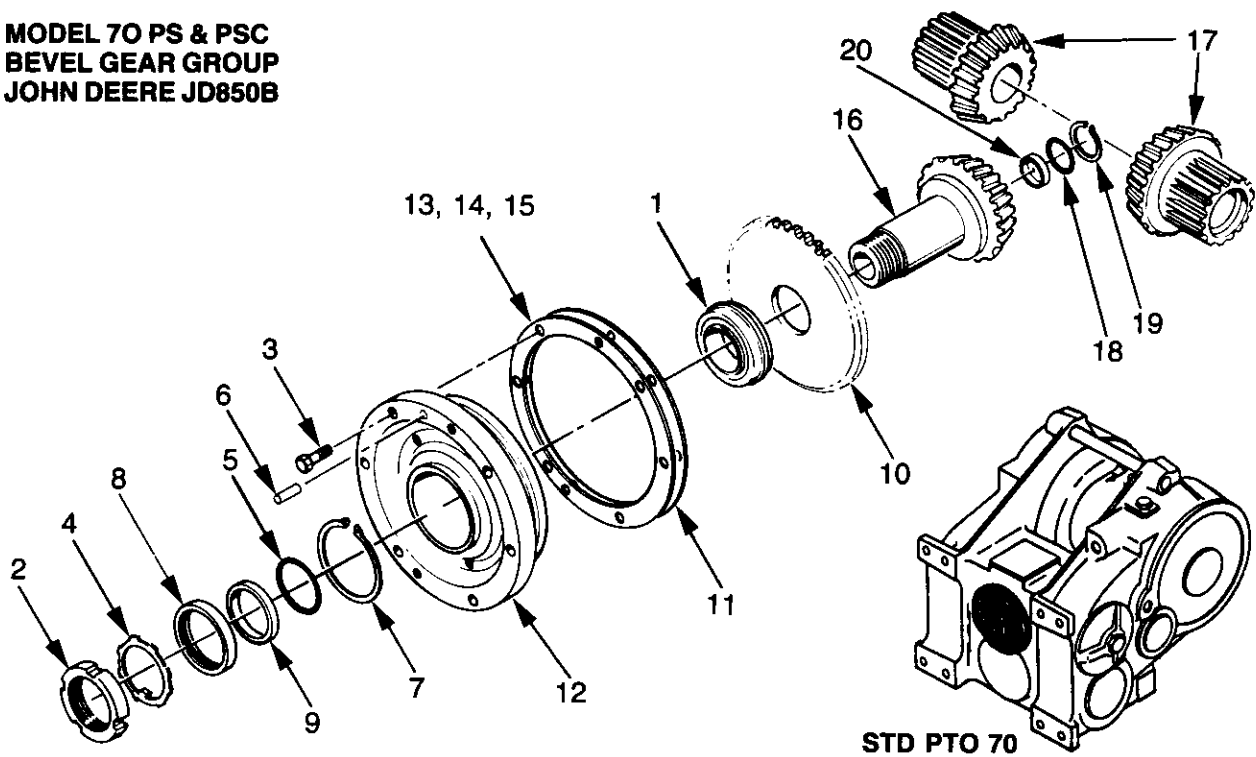
**MODEL 70 PS & PSC
MOUNTING GROUP
JOHN DEERE JD850B**



ITEM	PART NO.	DESCRIPTION	QTY.
1	70689	CAPSCREW, HEX HD.	4
2	31037	CAPSCREW, HEX HD.	2
3	69663	CAPSCREW, HEX HD.	2
4	21520	CAPSCREW, HEX HD.	4
5	69580	CAPSCREW, SOCKET HD.	2
6	31189	CAPSCREW, SOCKET HD.	4
7	69030	U-BOLT KIT (INCLUDES 2 U-BOLTS & 4 NUTS)	1
8	22887	NUT, HEX	4
9	69889	SPACER, UPPER LH	1
10	69956	STUD	4
11	33665	TRIM	1
12	69477	SPACER	3-AR
13	69703	SPACER, LOWER RH	1
14	69704	SPACER, LOWER LH	1
15	69705	SPACER, UPPER RH	1
16	69885	DUST SHIELD	1
17	68795	DRIVE SHAFT ASSY. (INCL. ITEMS 30, 31, 32)	1
18	11776	CAPSCREW, HEX HD.	1
19	13938	CAPSCREW, HEX HD.	4
20	70516	RETAINING RING	1
21	69443	WASHER	1
22	69473	PTO SHAFT	1
23	68796	YOKE, WINCH	1
24	69475	BEARING	1
25	69342	WASHER	1
26	69488	CARRIER, PTO SHAFT	1
27	69036	YOKE, TRACTOR	1
28	70141	O-RING	1
29	69386	CAPSCREW, HEX HD.	4
30	68789	DRIVE SHAFT TUBE ASSY.	1
31	69034	U-JOINT ASSEMBLY	2
32	69035	FLANGE YOKE	1

THIS PAGE INTENTIONALLY
LEFT BLANK

**MODEL 70 PS & PSC
BEVEL GEAR GROUP
JOHN DEERE JD850B**



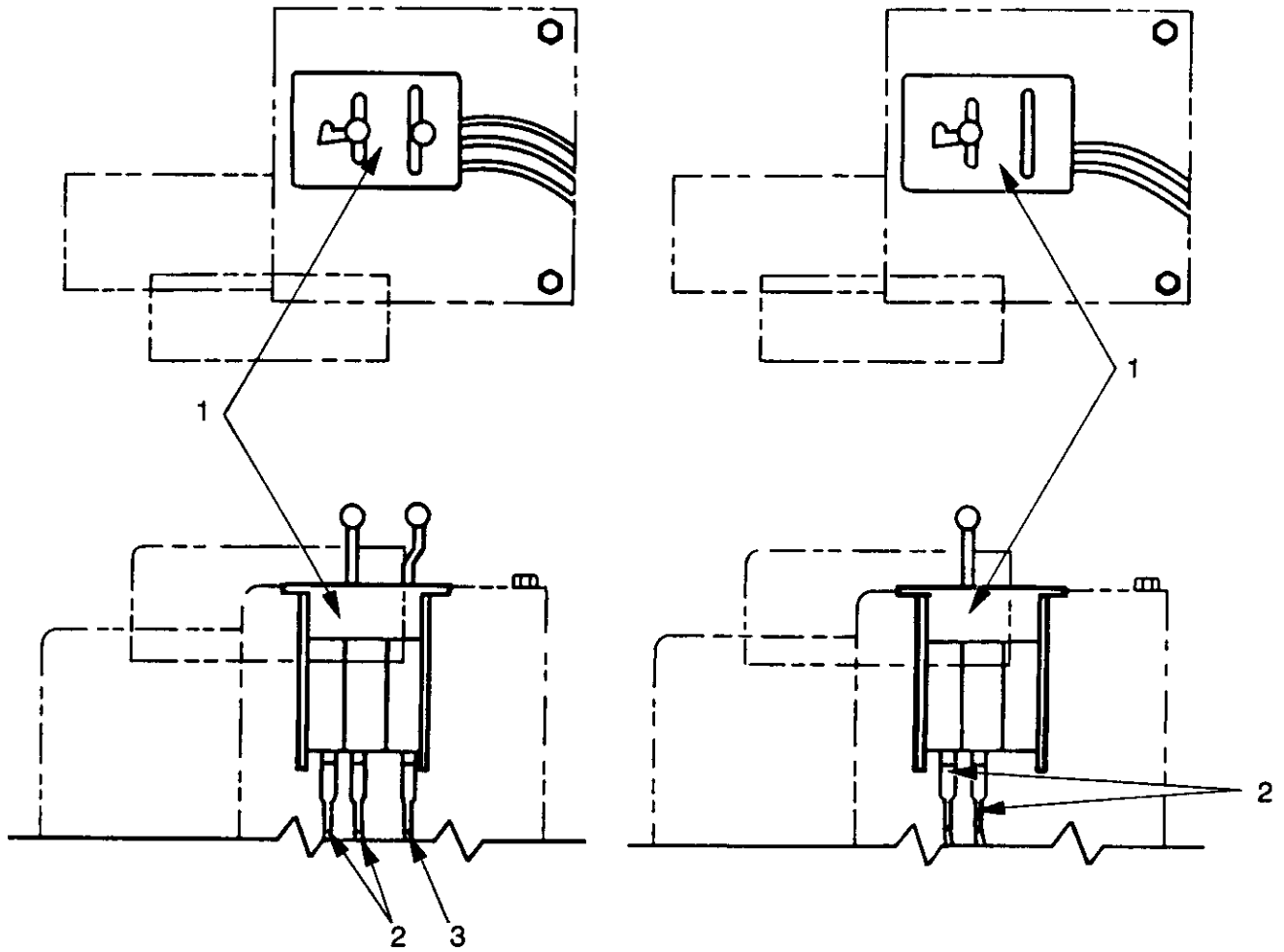
ITEM	PART NO.	DESCRIPTION	QTY.
1	70077	BEARING ASSEMBLY	1
2	24816	BEARING, LOCK NUT	1
3	22697	CAPSCREW, HEX HD.	6
4	11418	LOCKWASHER	1
5	74992	O-RING	1
6	10318	DOWEL PIN	1
7	70163	RETAINING RING	1
8	70168	OIL SEAL	1
9	70382	SEAL SPACER	1
10	69947	PUMP DRIVE PINION	1
11	69946	SHIM GASKET	1
12	69961	CARRIER	1
13	69945	SHIM .005"	2-AR
14	69827	SHIM .007"	2-AR
15	69826	SHIM .020"	2-AR
16	69823	BEVEL PINION - STD SPD	1
	69635	BEVEL PINION - SLOW SPD	1
17	70351	BEVEL GEAR - STD SPD	2
	70353	BEVEL GEAR - SLOW SPD	2
18	69813	O-RING	1
19	70162	RETAINING RING	1
20	70626	PLUG, BEVEL PINION	1

BEVEL GEAR SET LISTINGS

NOTE: The Bevel Gear Set above is standard for the adaption indicated. Below are gear combinations to provide a range of line speeds and pulls for various winching requirements. Important — Prior to ordering or quoting on any optional Bevel Gear Set be sure to check with factory on availability, and if the gear set would be recommended for the application.

BEVEL GEAR SET PART NO.	BEVEL GEAR		BEVEL PINION		RATIO	
	PART NO.	TEETH	PART NO.	TEETH	GR. SET	OVERALL
69838	69821	30	69825	30	1:1	40.4:1
69837	70350	33	69824	26	1.27:1	51.4:1
69836	70351	36	69823	22	1.64:1	66.3:1
69835	70352	38	69822	18	2.11:1	85.3:1
69834	70353	39	69635	14	2.78:1	112.8:1

**MODEL 70 PS & PSC
CONTROL GROUP
JOHN DEERE JD850B**



WITH FREESPOOL

WITHOUT FREESPOOL

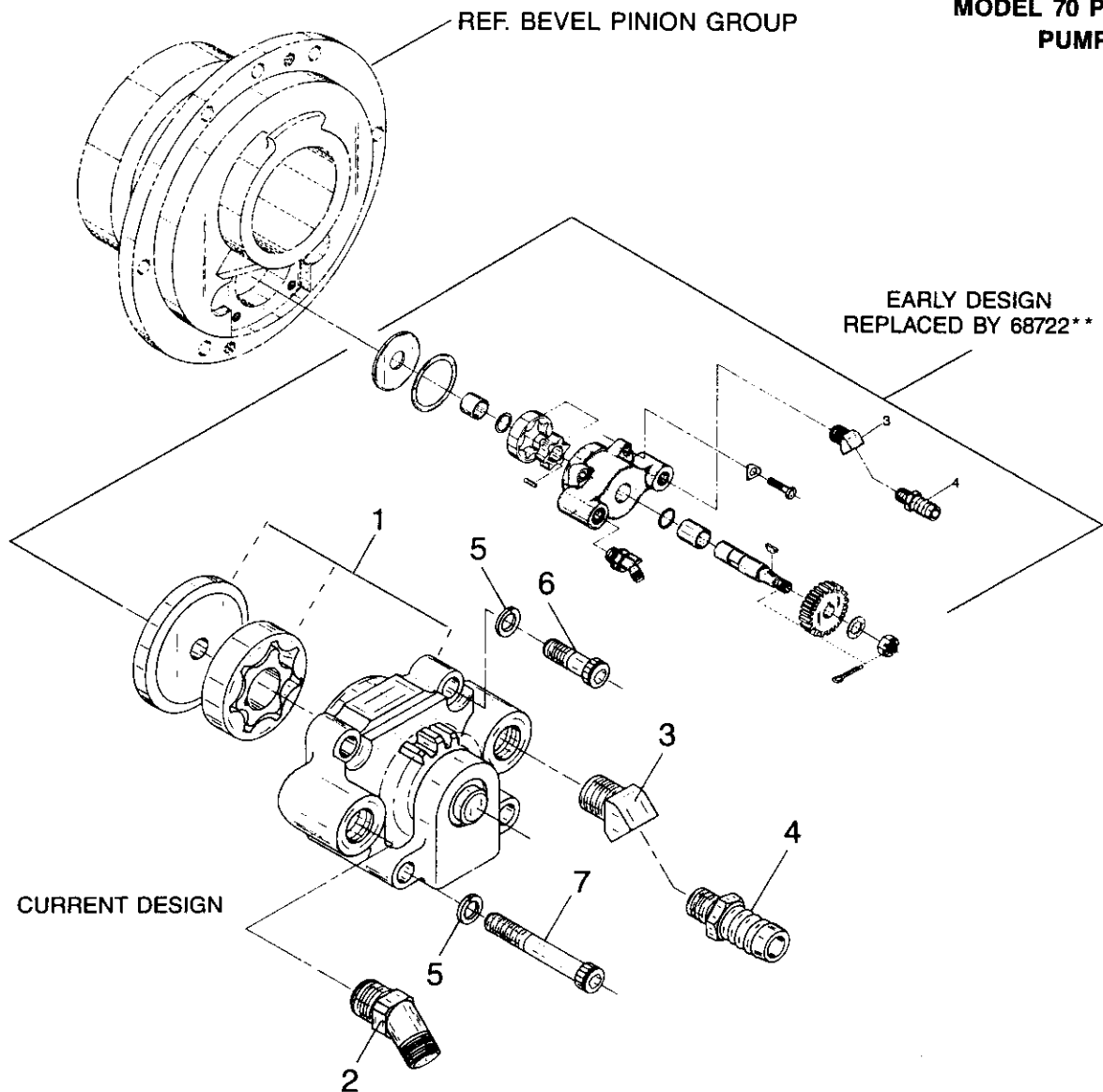
CONTROL GROUP WITH FREESPOOL

ITEM	PART NO.	DESCRIPTION	QTY.
1	69667	CONTROL STAND KIT WITH FREESPOOL	1
2	69802	CONTROL CABLE	2
3	69800	CONTROL CABLE	1

CONTROL GROUP WITHOUT FREESPOOL

ITEM	PART NO.	DESCRIPTION	QTY.
1	69666	CONTROL STAND KIT WITHOUT FREESPOOL	1
2	69802	CONTROL CABLE	2

**MODEL 70 PS & PSC
PUMP GROUP**



ITEM	PART NO.	DESCRIPTION	QTY
1	68772	PUMP ASSEMBLY	1
2	26752	45° ELBOW PRESSURE FITTING*	1
3	69047	45° ELBOW SUCTION ADAPTER*	1
4	69048	BARBED HOSE ADAPTER*	1
5	11015	LOCKWASHER - 1/4	4
6	75231	CAPSCREW - 1/4 NC x 1 1/2 GRB	2
7	25866	CAPSCREW	2

*ITEMS 2, 3 & 4 SHOWN FOR COUNTERCLOCKWISE (CCW) BEVEL PINION ROTATION. REVERSE PORT LOCATION FOR CLOCKWISE (CW) BEVEL PINION ROTATION.

**REFERENCE CARCO SERVICE BULLETIN NO. 75 WHEN REPLACING EARLY DESIGN PUMP WITH CURRENT DESIGN 68772.