

CARCO®

PARTS MANUAL MODEL 70 PS AND PSC WINCH FOR CATERPILLAR D6H PS TRACTOR

TABLE OF CONTENTS

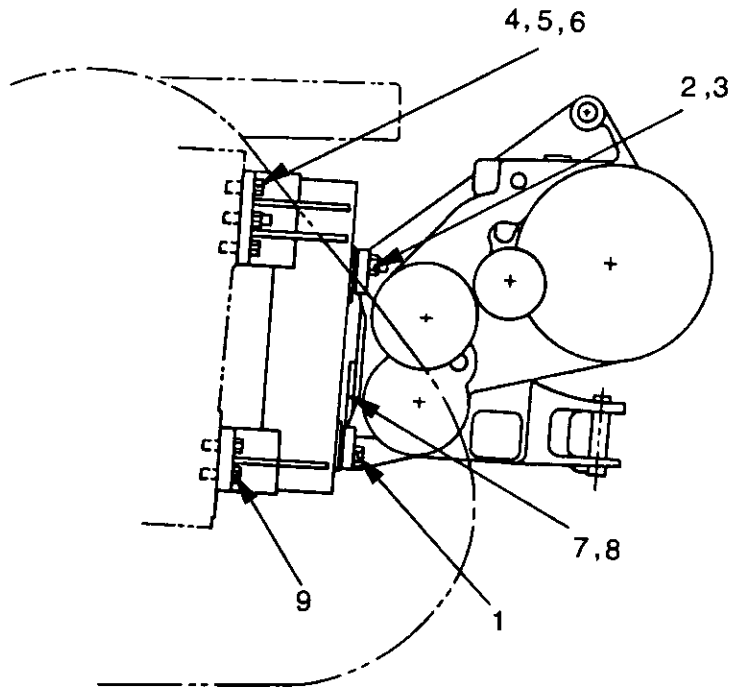
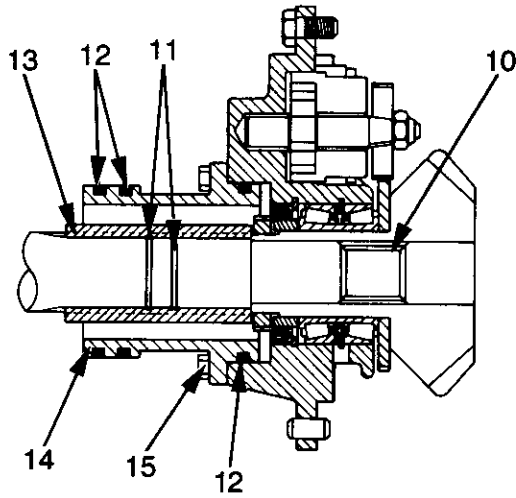
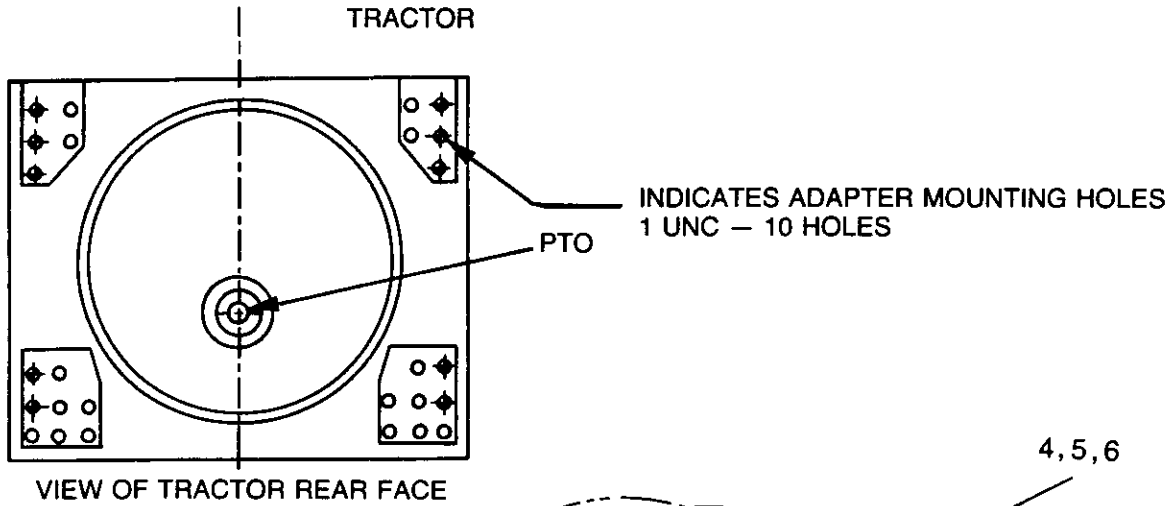
| | PAGE |
|---------------------------------------------|------|
| Mounting Group | 3 |
| Control Group | 5 |
| Bevel Gear Group | 6 |
| Pump Group | 7 |
| Case and Covers | 8 |
| Clutch Shaft Group | 10 |
| Clutch Assembly | 12 |
| Brake Assembly - Standard | 13 |
| Brake Assembly - Manual Override | 14 |
| Idler Shaft Group - With Freespool | 16 |
| Idler Shaft Group - Without Freespool | 18 |
| Forth Shaft Group | 19 |
| Cable Drum Group | 20 |
| Hydraulic Control Group | 22 |
| Hydraulic Control Valve | 24 |
| Control Stand | 25 |
| Fairlead | 26 |

PACCAR WINCH DIVISIONS

P.O. BOX 547 • BROKEN ARROW, OK 74013
PHONE: (918) 251-8511 • TELEX: 492340 • FAX: (918) 258-4822

THIS PAGE INTENTIONALLY
LEFT BLANK

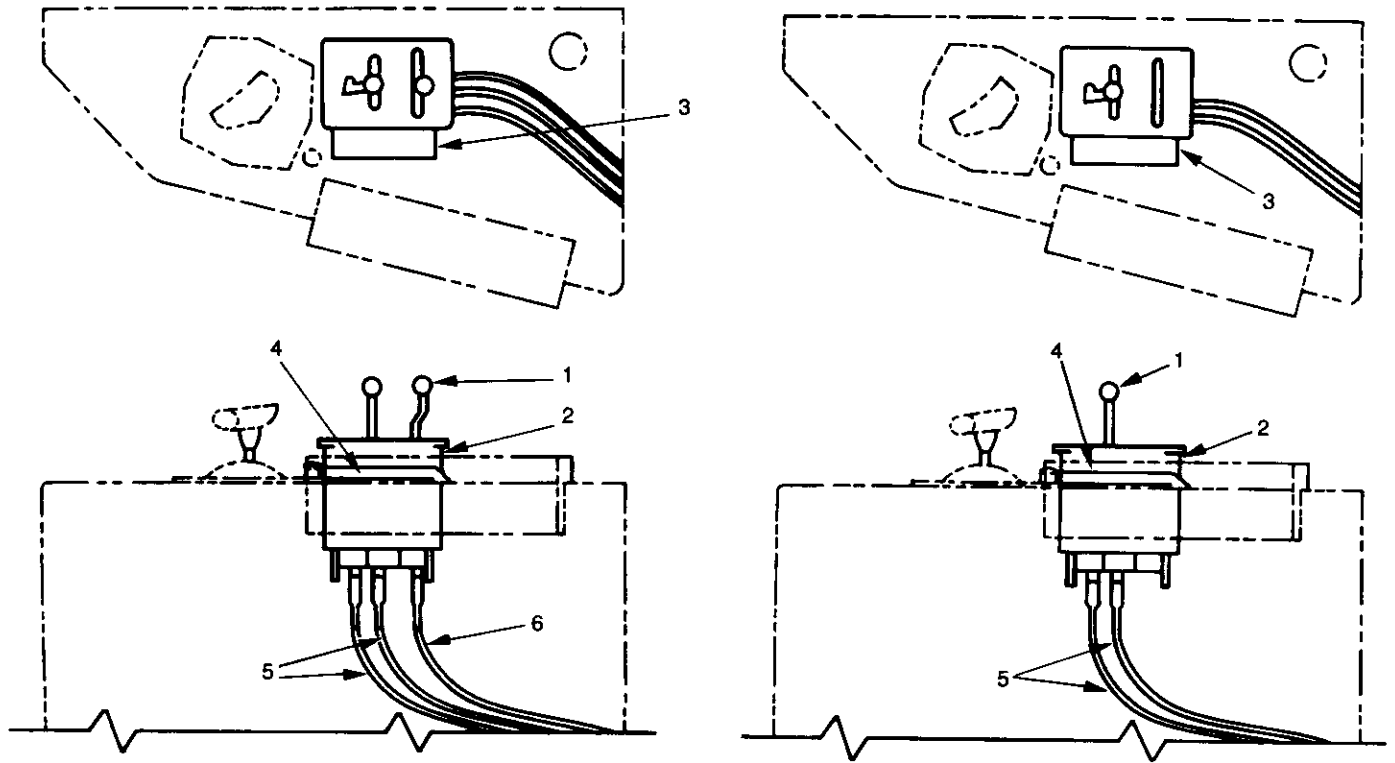
**MODEL 70 PS & PSC
MOUNTING GROUP
CATERPILLAR D6H PS**



| ITEM | PART NO. | DESCRIPTION | QTY. |
|------|----------|-----------------------|------|
| 1 | 70749 | CAPSCREW, HEX HD. | 4 |
| 2 | 22887 | NUT, HEX | 4 |
| 3 | 69956 | STUD | 4 |
| 4 | 31251 | WASHER | 2 |
| 5 | 22887 | NUT, HEX | 2 |
| 6 | 33446 | STUD | 2 |
| 7 | 69088 | ADAPTER, MACHINE R.H. | 1 |
| 8 | 69086 | ADAPTER, MACHINE L.H. | 1 |
| 9 | 70690 | CAPSCREW, HEX. HD. | 8 |
| 10 | 69091 | SPLINED SHAFT PTO | 1 |
| 11 | 32101 | RETAINING RING | 2 |
| 12 | 69850 | O-RING | 3 |
| 13 | 69106 | COUPLING | 1 |
| 14 | 69089 | PTO PILOT | 1 |
| 15 | 22697 | CAPSCREW, HEX. HD. | 4 |

THIS PAGE INTENTIONALLY
LEFT BLANK

**MODEL 70 PS & PSC
CONTROL GROUP
CATERPILLAR D6H PS**



WITH FREESPOOL

WITHOUT FREESPOOL

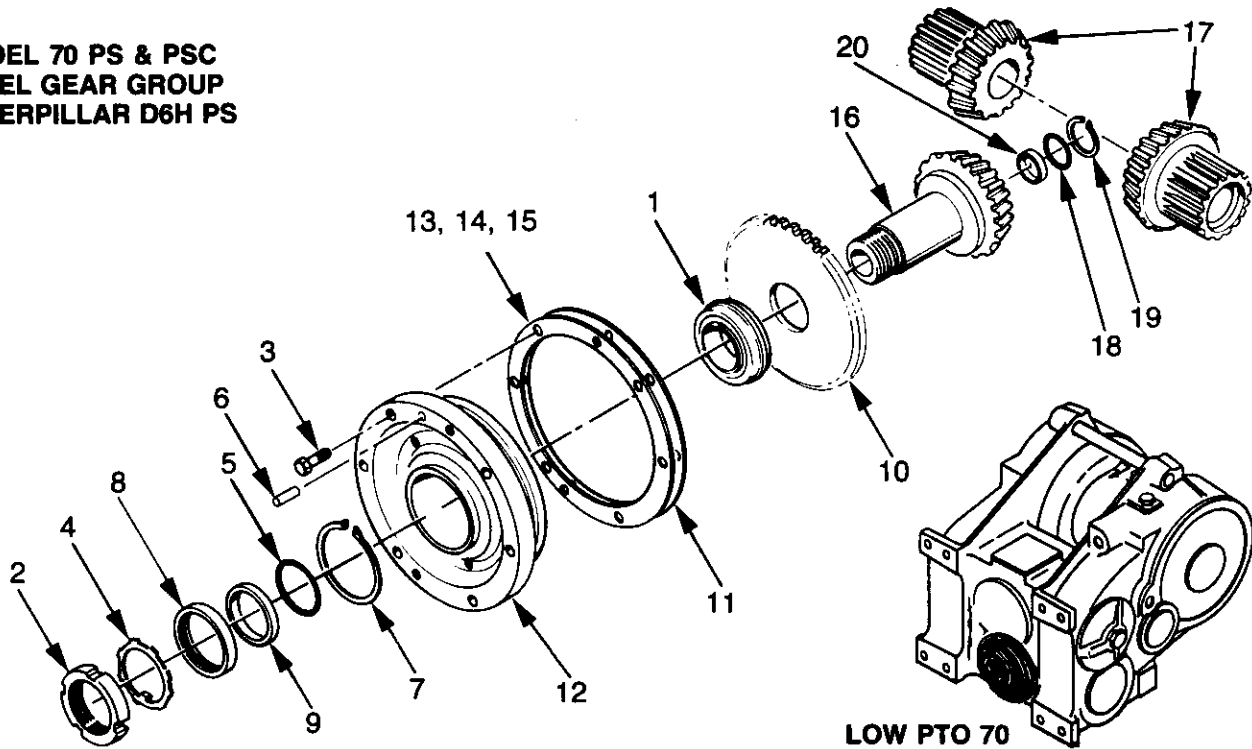
CONTROL GROUP WITH FREESPOOL

| ITEM | PART NO. | DESCRIPTION | QTY. |
|------|----------|----------------------------------|------|
| 1 | 69667 | CONTROL STAND KIT WITH FREESPOOL | 1 |
| 2 | 25696 | CONTROL FRAME | 1 |
| 3 | 68889 | COVER PLATE | 1 |
| 4 | 68888 | TRIM KIT | 1 |
| 5 | 69800 | CONTROL CABLE - POWER SHIFT | 2 |
| 6 | 69799 | CONTROL CABLE - FREE SPOOL | 1 |

CONTROL GROUP WITHOUT FREESPOOL

| ITEM | PART NO. | DESCRIPTION | QTY. |
|------|----------|-------------------------------------|------|
| 1 | 69666 | CONTROL STAND KIT WITHOUT FREESPOOL | 1 |
| 2 | 25696 | CONTROL FRAME | 1 |
| 3 | 68889 | COVER PLATE | 1 |
| 4 | 68888 | TRIM KIT | 1 |
| 5 | 69800 | CONTROL CABLE - POWER SHIFT | 2 |

**MODEL 70 PS & PSC
BEVEL GEAR GROUP
CATERPILLAR D6H PS**



| ITEM | PART NO. | DESCRIPTION | QTY. |
|------|----------|-------------------------|------|
| 1 | 70077 | BEARING ASSEMBLY | 1 |
| 2 | 24816 | BEARING, LOCK NUT | 1 |
| 3 | 22697 | CAPSCREW HEX HD. | 6 |
| 4 | 11418 | LOCKWASHER | 1 |
| 5 | 74992 | O-RING | 1 |
| 6 | 10318 | DOWEL PIN | 1 |
| 7 | 70163 | RETAINING RING | 1 |
| 8 | 70168 | OIL SEAL | 1 |
| 9 | 70382 | SEAL SPACER | 1 |
| 10 | 69947 | PUMP DRIVE PINION | 1 |
| 11 | 69946 | SHIM GASKET | 1 |
| 12 | 69961 | CARRIER | 1 |
| 13 | 69945 | SHIM .005" | 2-AR |
| 14 | 69827 | SHIM .007" | 2-AR |
| 15 | 69826 | SHIM .020" | 2-AR |
| 16 | 69824 | BEVEL PINION - STD SPD | 1 |
| | 69635 | BEVEL PINION - SLOW SPD | 1 |
| 17 | 70350 | BEVEL GEAR - STD SPD | 2 |
| | 70353 | BEVEL GEAR - SLOW SPD | 2 |
| 18 | 69813 | O-RING | 1 |
| 19 | 70162 | RETAINING RING | 1 |
| 20 | 70626 | PLUG, BEVEL PINION | 1 |

BEVEL GEAR SET LISTINGS

NOTE: The Bevel Gear Set above is standard for the adaption indicated. Below are gear combinations to provide a range of line speeds and pulls for various winching requirements. Important - Prior to ordering or quoting on any optional Bevel Gear Set be sure to check with factory on availability, and if the gear set would be recommended for the application.

| BEVEL GEAR SET PART NO. | BEVEL GEAR | | BEVEL PINION | | RATIO | |
|----------------------------|------------|-------|--------------|-------|---------|---------|
| | PART NO. | TEETH | PART NO. | TEETH | GR. SET | OVERALL |
| 69838 | 69821 | 30 | 69825 | 30 | 1:1 | 40.4:1 |
| 69837 | 70350 | 33 | 69824 | 26 | 1.27:1 | 51.4:1 |
| 69836 | 70351 | 36 | 69823 | 22 | 1.64:1 | 66.3:1 |
| 69835 | 70352 | 38 | 69822 | 18 | 2.11:1 | 85.3:1 |
| 69834 | 70353 | 39 | 69635 | 14 | 2.78:1 | 112.8:1 |