

# CARCO®

## PARTS MANUAL MODEL 50A PS AND PSC WINCH FOR JOHN DEERE JD750B TRACTOR AND JD755B LOADER

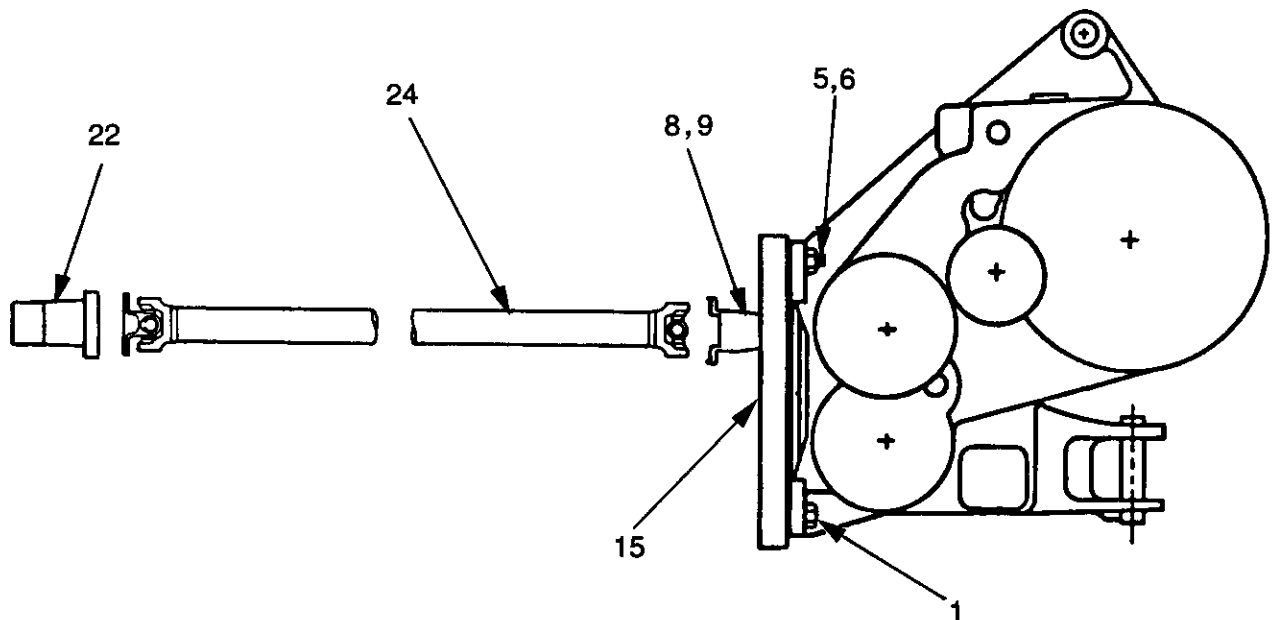
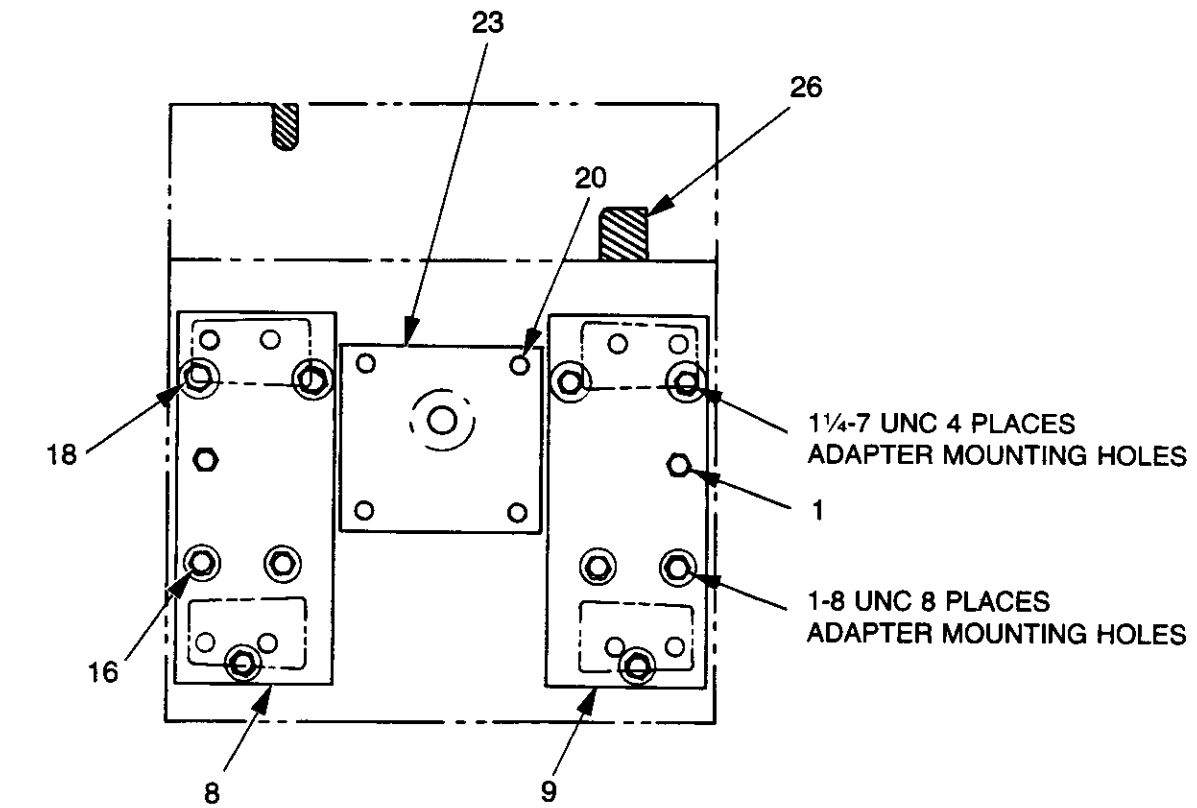
### TABLE OF CONTENTS

	PAGE
Mounting Group .....	2
Control Group .....	5
Bevel Gear Group .....	6
Pump Group .....	7
Case and Covers .....	8
Clutch Shaft Group .....	10
Clutch Assembly .....	12
Brake Assembly – Standard .....	13
Brake Assembly – Manual Override .....	14
Idler Shaft Group – With Freespool .....	16
Idler Shaft Group – Without Freespool .....	18
Forth Shaft Group .....	19
Cable Drum Group .....	20
Hydraulic Control Group .....	22
Hydraulic Control Valve .....	24
Control Stand .....	25
Fairlead .....	26

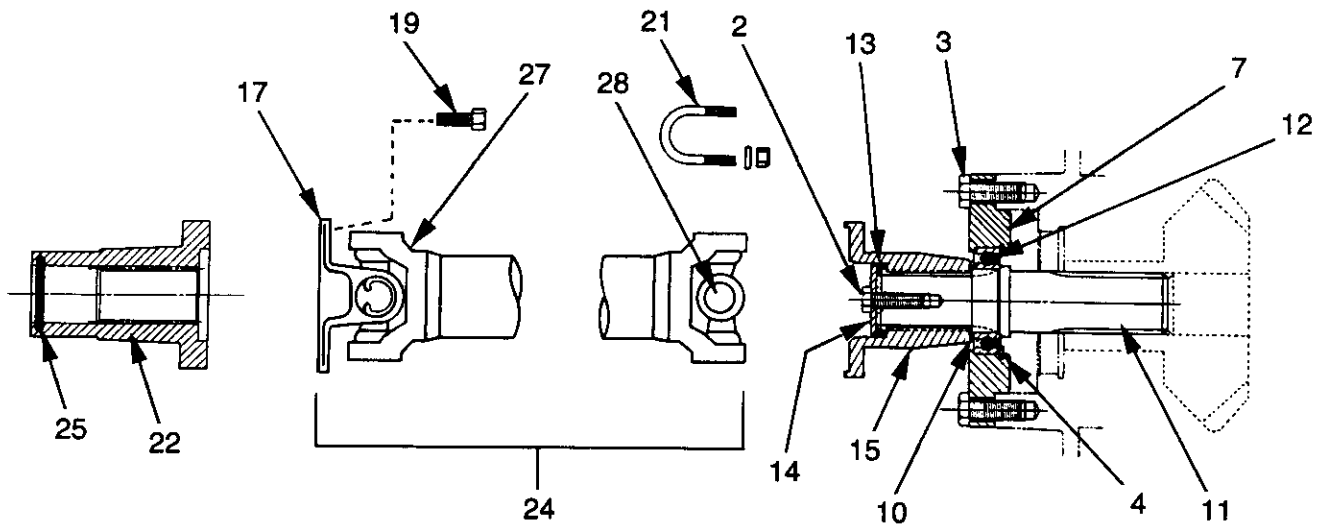
## **PACCAR WINCH DIVISIONS**

P.O. BOX 547 • BROKEN ARROW, OK 74013  
PHONE: (918) 251-8511 • TELEX: 492340 • FAX: (918) 258-4822

**MODEL 50A PS & PSC  
MOUNTING GROUP  
JOHN DEERE JD750B**

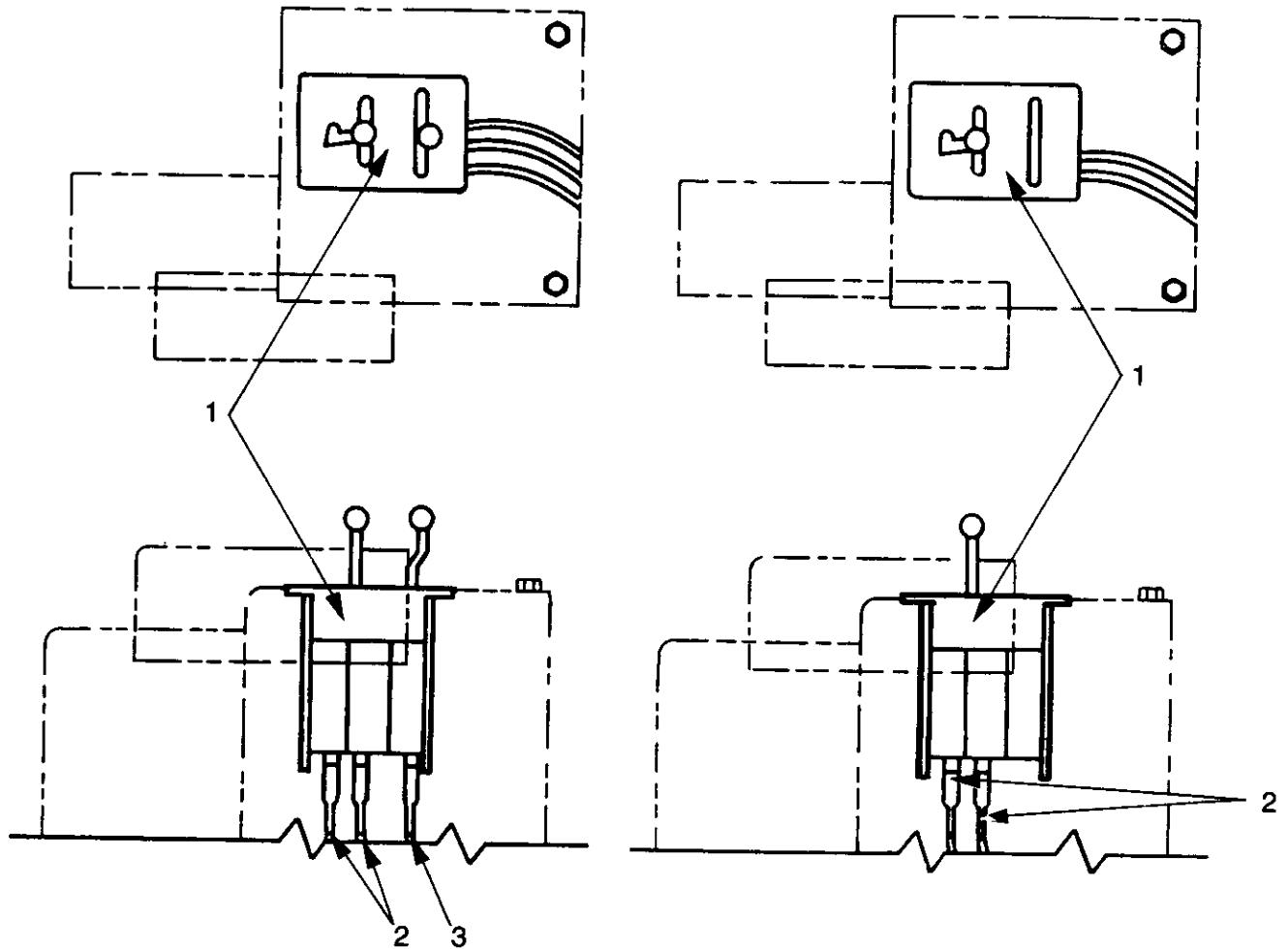


**MODEL 50A PS & PSC  
MOUNTING GROUP  
JOHN DEERE JD750B**



ITEM	PART NO.	DESCRIPTION	QTY.
1	70689	CAPSCREW, HEX HD.	6
2	11776	CAPSCREW, HEX HD.	1
3	13938	CAPSCREW, HEX HD.	4
4	32104	RETAINING RING	1
5	22887	NUT, HEX	4
6	69956	STUD	4
7	69410	CARRIER, PTO SHAFT	1
8	69411	ADAPTER, LH	1
9	69412	ADAPTER, RH	1
10	69530	WASHER	1
11	69548	PTO SHAFT	1
12	69549	BEARING	1
13	69550	SPACER	1
14	69551	WASHER	1
15	69031	YOKE, WINCH	1
16	70838	CAPSCREW, HEX HD.	6
17	69035	FLANGE YOKE	1
18	31039	CAPSCREW, HEX HD.	4
19	69386	CAPSCREW, HEX HD.	4
20	21520	CAPSCREW, HEX HD.	4
21	69030	U-BOLT KIT (INCLUDES 2 U-BOLTS & 4 NUTS)	1
22	69036	YOKE, TRACTOR	1
23	69407	DUST SHIELD	1
24	69032	DRIVE SHAFT ASSY. (INCL. ITEMS 17, 27 & 28)	1
25	70141	O-RING	1
26	33665	TRIM	1
27	69033	DRIVE SHAFT TUBE ASSY.	1
28	69034	U-JOINT ASSEMBLY	2

THIS PAGE INTENTIONALLY  
LEFT BLANK



WITH FREESPOOL

WITHOUT FREESPOOL

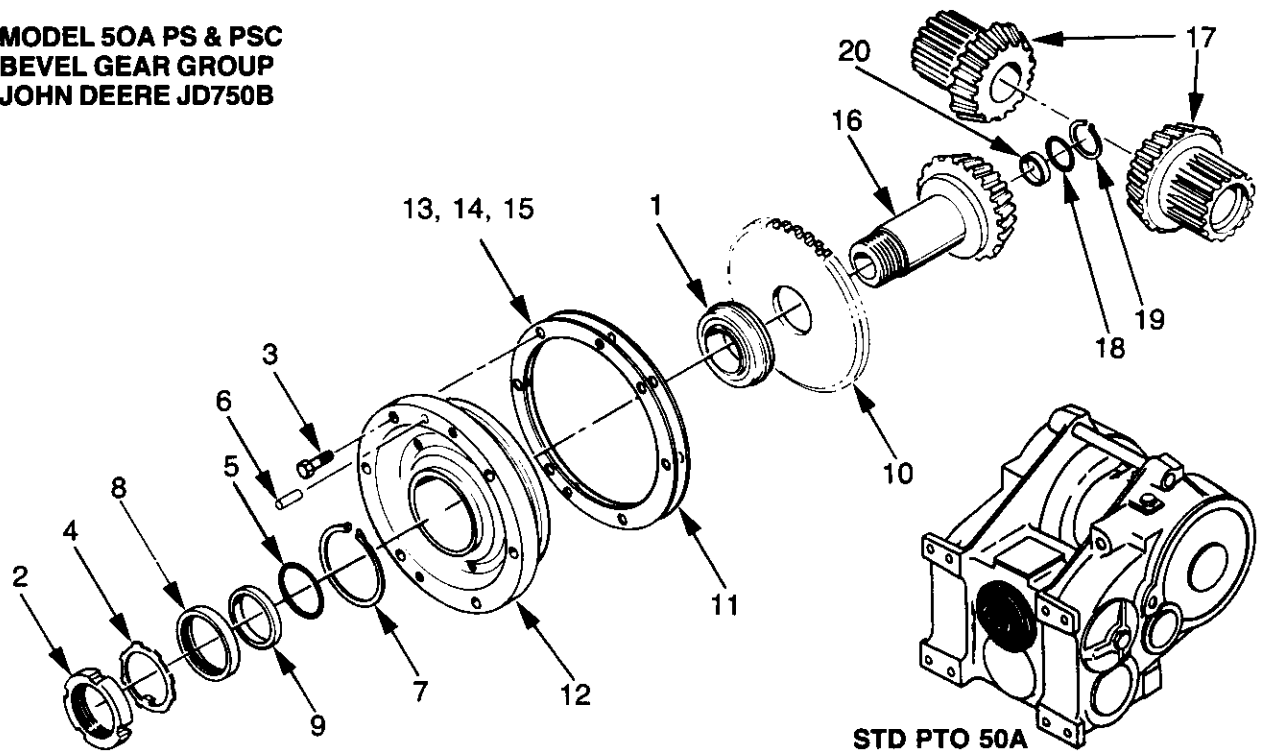
CONTROL GROUP WITH FREESPOOL

ITEM	PART NO.	DESCRIPTION	QTY.
1	69667	CONTROL STAND KIT WITH FREESPOOL	1
2	69802	CONTROL CABLE	2
3	69800	CONTROL CABLE	1

CONTROL GROUP WITHOUT FREESPOOL

ITEM	PART NO.	DESCRIPTION	QTY.
1	69666	CONTROL STAND KIT WITHOUT FREESPOOL	1
2	69802	CONTROL CABLE	2

**MODEL 50A PS & PSC  
BEVEL GEAR GROUP  
JOHN DEERE JD750B**



ITEM	PART NO.	DESCRIPTION	QTY.
1	70077	BEARING ASSEMBLY	1
2	24816	BEARING, LOCK NUT	1
3	22697	CAPSCREW, HEX HD.	6
4	11418	LOCKWASHER	1
5	74992	O-RING	1
6	10318	DOWEL PIN	1
7	70163	RETAINING RING	1
8	70168	OIL SEAL	1
9	70382	SEAL SPACER	1
10	69947	PUMP DRIVE PINION	1
11	69946	SHIM GASKET	1
12	69961	CARRIER	1
13	69945	SHIM .005"	2-AR
14	69827	SHIM .007"	2-AR
15	69826	SHIM .020"	2-AR
16	70372	BEVEL PINION - STD SPD	1
	70355	BEVEL PINION - SLOW SPD	1
17	70351	BEVEL GEAR - STD SPD	2
	70353	BEVEL GEAR - SLOW SPD	2
18	69813	O-RING	1
19	70162	RETAINING RING	1
20	70626	PLUG, BEVEL PINION	1

**BEVEL GEAR SET LISTINGS**

NOTE: The Bevel Gear Set above is standard for the adaption indicated. Below are gear combinations to provide a range of line speeds and pulls for various winching requirements. Important — Prior to ordering or quoting on any optional Bevel Gear Set be sure to check with factory on availability, and if the gear set would be recommended for the application.

BEVEL GEAR SET PART NO.	BEVEL GEAR		BEVEL PINION		RATIO	
	PART NO.	TEETH	PART NO.	TEETH	GR. SET	OVERALL
36638	36609	30	36610	30	1:1	40.4:1
70449	70350	33	70373	26	1.27:1	51.4:1
70450	70351	36	70372	22	1.64:1	66.3:1
70451	70352	38	70354	18	2.11:1	85.3:1
70812	70353	39	70355	14	2.78:1	112.8:1