

CARCO®

PARTS MANUAL MODEL 50A PS AND PSC WINCH FOR CATERPILLAR D4H PS AND DD TRACTOR

TABLE OF CONTENTS

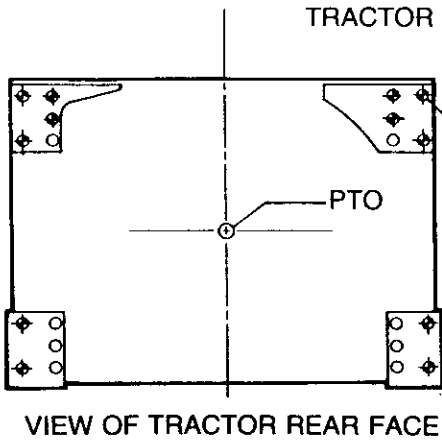
	PAGE
Mounting Group	3
Control Group	5
Bevel Gear Group	6
Pump Group	7
Case and Covers	8
Clutch Shaft Group	10
Clutch Assembly	12
Brake Assembly – Standard	13
Brake Assembly – Manual Override	14
Idler Shaft Group – With Freespool	16
Idler Shaft Group – Without Freespool	18
Forth Shaft Group	19
Cable Drum Group	20
Hydraulic Control Group	22
Hydraulic Control Valve	24
Control Stand	25
Fairlead	26

PACCAR WINCH DIVISIONS

P.O. BOX 547 • BROKEN ARROW, OK 74013
PHONE: (918) 251-8511 • TELEX: 492340 • FAX: (918) 258-4822

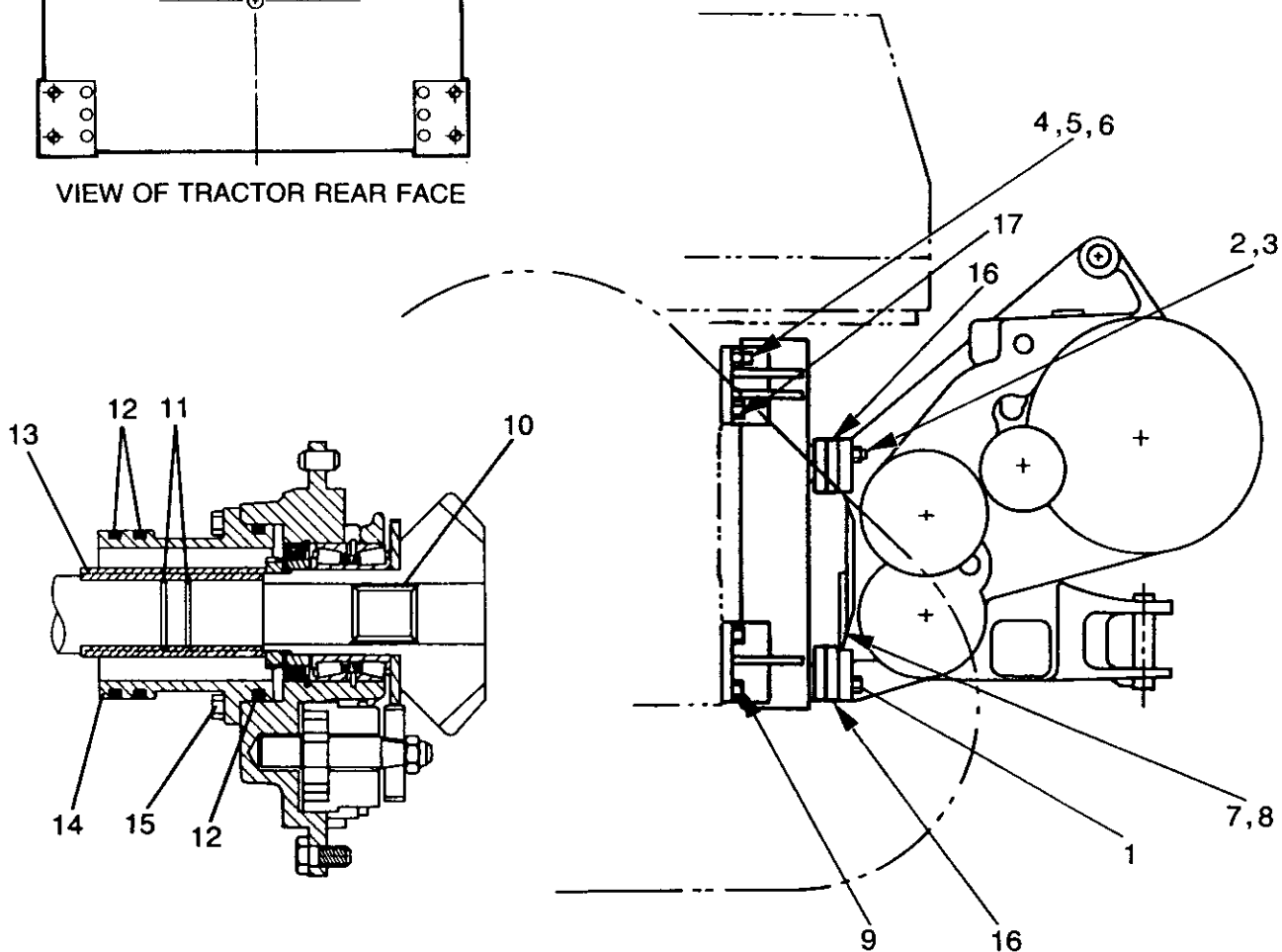
THIS PAGE INTENTIONALLY
LEFT BLANK

**MODEL 50A PS & PSC
MOUNTING GROUP
CATERPILLAR D4H PS & DD**



INDICATES ADAPTER MOUNTING HOLES
3/4 UNC - 12 HOLES

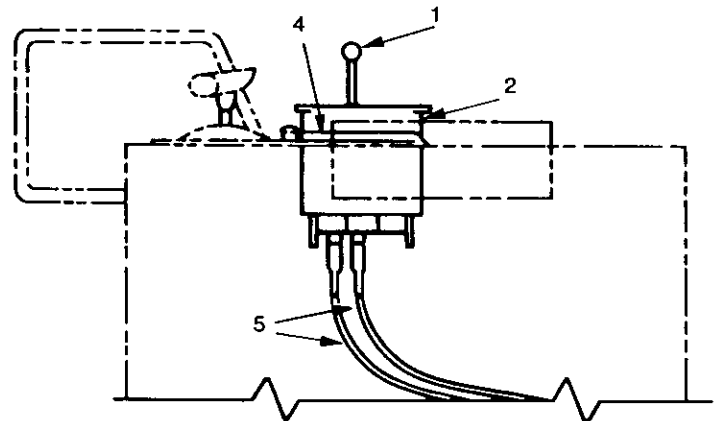
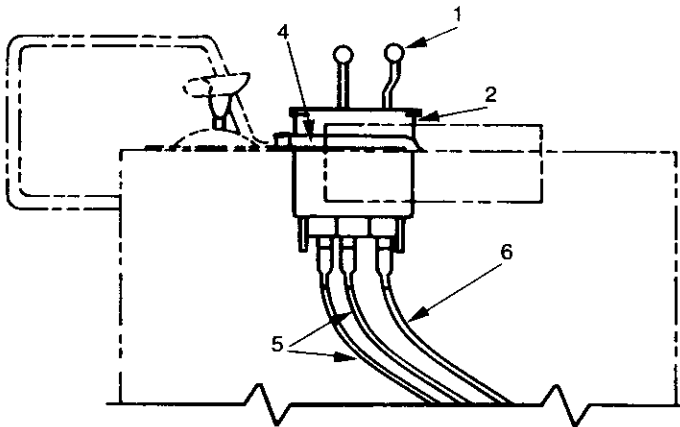
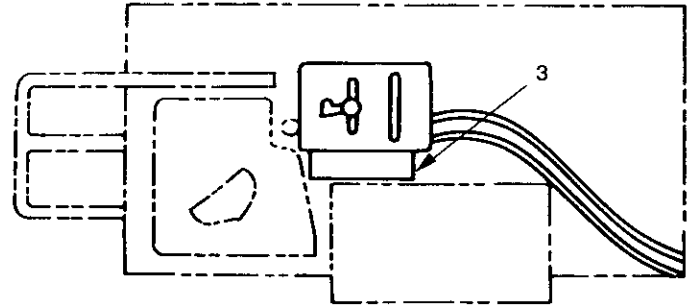
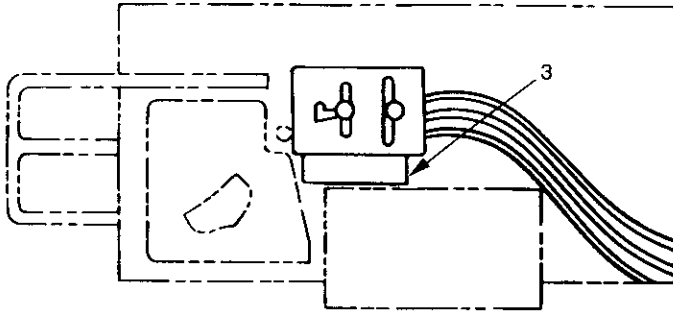
VIEW OF TRACTOR REAR FACE



ITEM	PART NO.	DESCRIPTION	QTY.
1	69970	CAPSCREW, HEX HD. D4H PS	4
	69664	CAPSCREW, HEX HD. D4H DD	4
2	22887	NUT, HEX	4
3	69956	STUD D4H PS	4
	69027	STUD D4H DD	4
4	31250	WASHER	2
5	22885	NUT, HEX	2
6	33440	STUD	2
7	69058	ADAPTER, MACHINE R.H.	1
8	69054	ADAPTER, MACHINE L.H.	1
9	31033	CAPSCREW, HEX HD.	4
10	68807	SPLINED PTO SHAFT	1
11	68870	RETAINING RING	2
12	69850	O-RING	3
13	69056	COUPLING	1
14	69089	PTO PILOT	1
15	22697	CAPSCREW, HEX HD.	4
16	69053	SPACER (D4H DD ONLY)	8
17	70691	CAPSCREW, HEX HD.	6

THIS PAGE INTENTIONALLY
LEFT BLANK

MODEL 50A PS & PSC
CONTROL GROUP
CATERPILLAR D4H PS & DD



WITH FREESPOOL

WITHOUT FREESPOOL

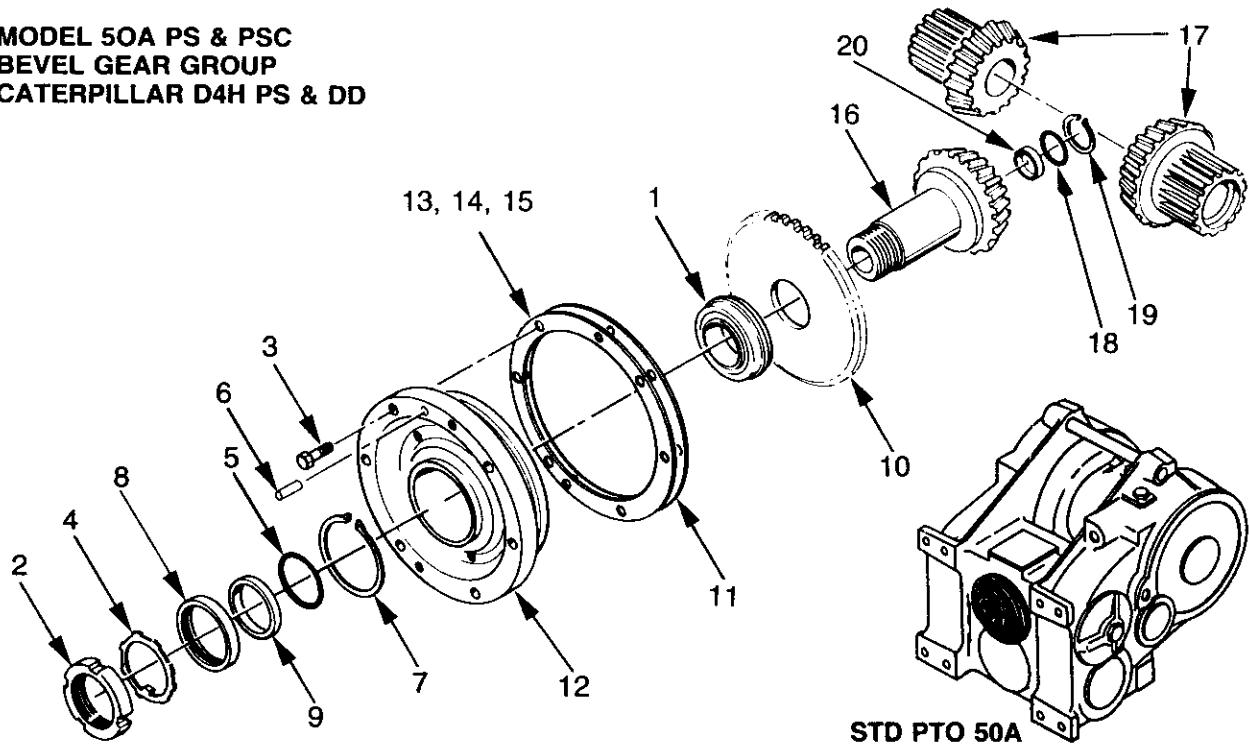
CONTROL GROUP WITH FREESPOOL

ITEM	PART NO.	DESCRIPTION	QTY.
1	69667	CONTROL STAND KIT WITH FREESPOOL	1
2	25696	CONTROL FRAME	1
3	68889	COVER PLATE	1
4	68888	TRIM KIT	1
5	69802	CONTROL CABLE - POWER SHIFT	2
6	69801	CONTROL CABLE - FREE SPOOL	1

CONTROL GROUP WITHOUT FREESPOOL

ITEM	PART NO.	DESCRIPTION	QTY.
1	69666	CONTROL STAND KIT WITHOUT FREESPOOL	1
2	25696	CONTROL FRAME	1
3	68889	COVER PLATE	1
4	68888	TRIM KIT	1
5	69802	CONTROL CABLE - POWER SHIFT	2

**MODEL 50A PS & PSC
BEVEL GEAR GROUP
CATERPILLAR D4H PS & DD**



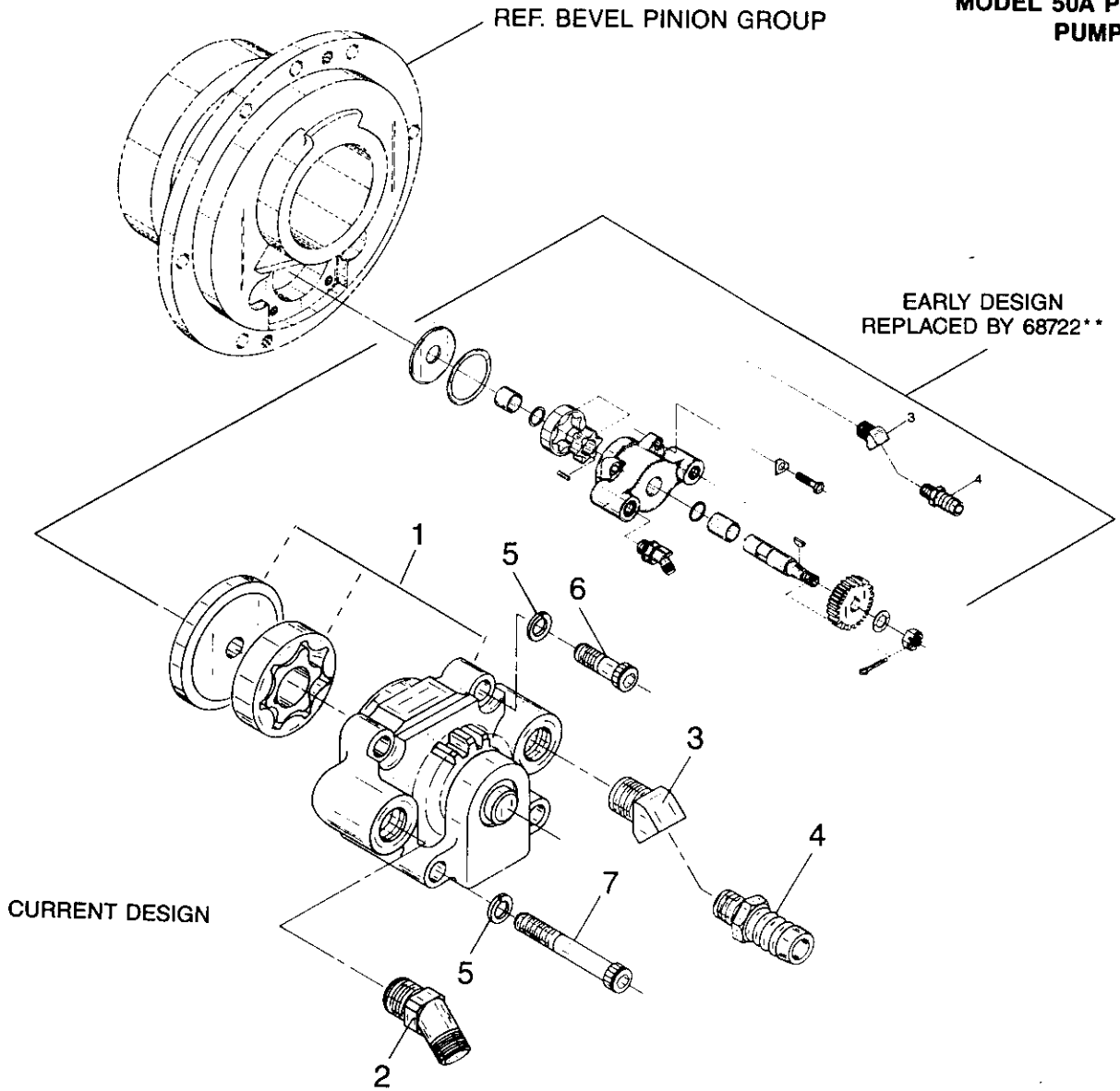
ITEM	PART NO.	DESCRIPTION	QTY.
1	70077	BEARING ASSEMBLY	1
2	24816	BEARING, LOCK NUT	1
3	22697	CAPSCREW HEX HD.	6
4	11418	LOCKWASHER	1
5	74992	O-RING	1
6	10318	DOWEL PIN	1
7	70163	RETAINING RING	1
8	70168	OIL SEAL	1
9	70382	SEAL SPACER	1
10	69947	PUMP DRIVE PINION	1
11	69946	SHIM GASKET	1
12	69961	CARRIER	1
13	69945	SHIM .005"	2-AR
14	69827	SHIM .007"	2-AR
15	69826	SHIM .020"	2-AR
16	70373	BEVEL PINION - STD SPD	1
	70355	BEVEL PINION - SLOW SPD	1
17	70350	BEVEL GEAR - STD SPD	2
	70353	BEVEL GEAR - SLOW SPD	2
18	69813	O-RING	1
19	70162	RETAINING RING	1
20	70626	PLUG, BEVEL PINION	1

BEVEL GEAR SET LISTINGS

NOTE: The Bevel Gear Set above is standard for the adaption indicated. Below are gear combinations to provide a range of line speeds and pulls for various winching requirements. Important — Prior to ordering or quoting on any optional Bevel Gear Set be sure to check with factory on availability, and if the gear set would be recommended for the application.

BEVEL GEAR SET PART NO.	BEVEL GEAR		BEVEL PINION		RATIO	
	PART NO.	TEETH	PART NO.	TEETH	GR. SET	OVERALL
36638	36609	30	36610	30	1:1	40.4:1
70449	70350	33	70373	26	1.27:1	51.4:1
70450	70351	36	70372	22	1.64:1	66.3:1
70451	70352	38	70354	18	2.11:1	85.3:1
70812	70353	39	70355	14	2.78:1	112.8:1

**MODEL 50A PS & PSC
PUMP GROUP**

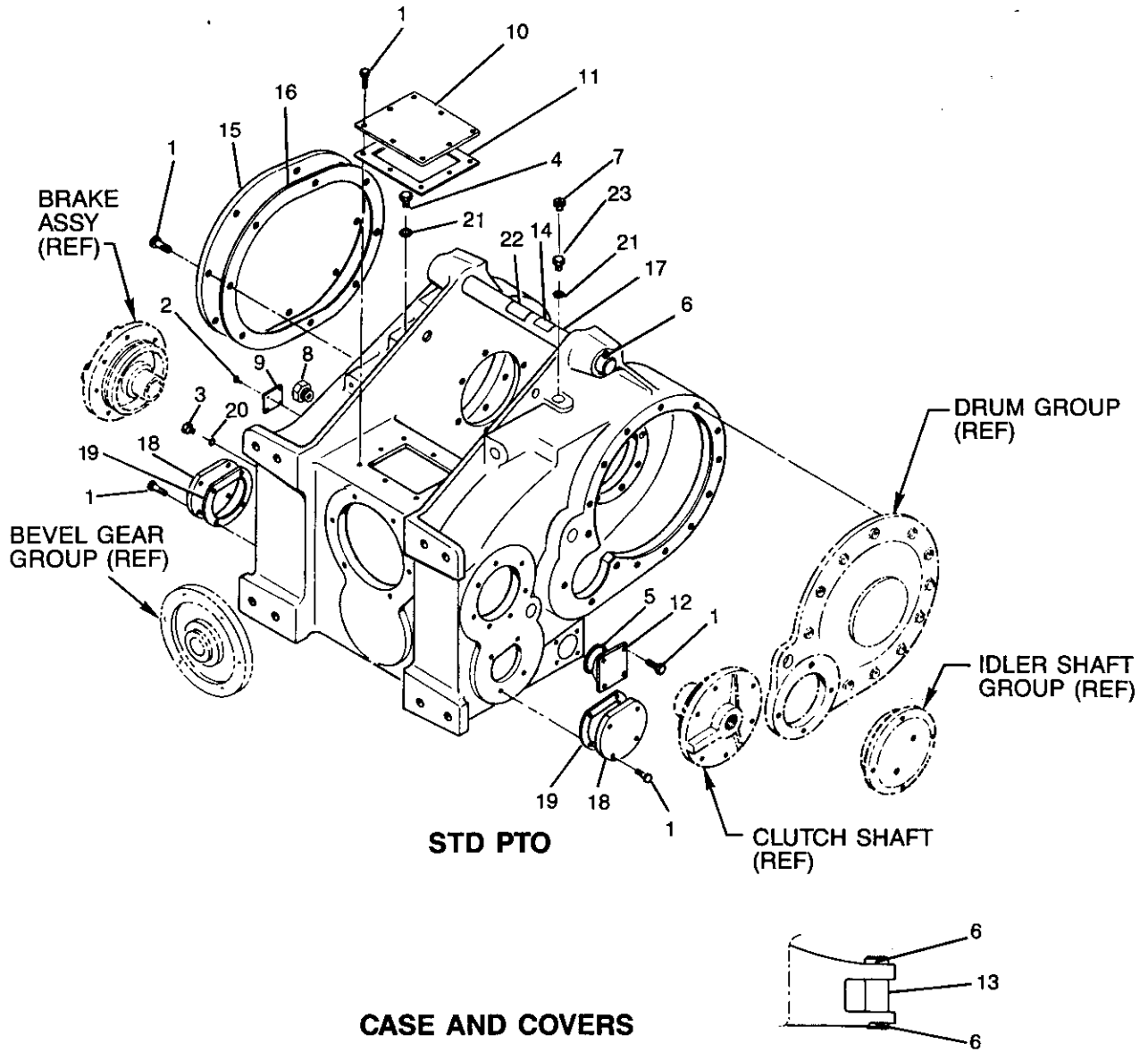


ITEM	PART NO.	DESCRIPTION	QTY
1	68772	PUMP ASSEMBLY	1
2	26752	45° ELBOW PRESSURE FITTING*	1
3	69047	45° ELBOW SUCTION ADAPTER*	1
4	69048	BARBED HOSE ADAPTER*	1
5	11015	LOCKWASHER - ¼	4
6	75231	CAPSCREW - ¼ NC × 1½ GRB	2
7	25866	CAPSCREW	2

*ITEMS 2, 3 & 4 SHOWN FOR COUNTERCLOCKWISE (CCW) BEVEL PINION ROTATION. REVERSE PORT LOCATION FOR CLOCKWISE (CW) BEVEL PINION ROTATION.

**REFERENCE CARCO SERVICE BULLETIN NO. 75 WHEN REPLACING EARLY DESIGN PUMP WITH CURRENT DESIGN 68772.

**MODEL 50A PS & PSC
CASE AND COVERS**

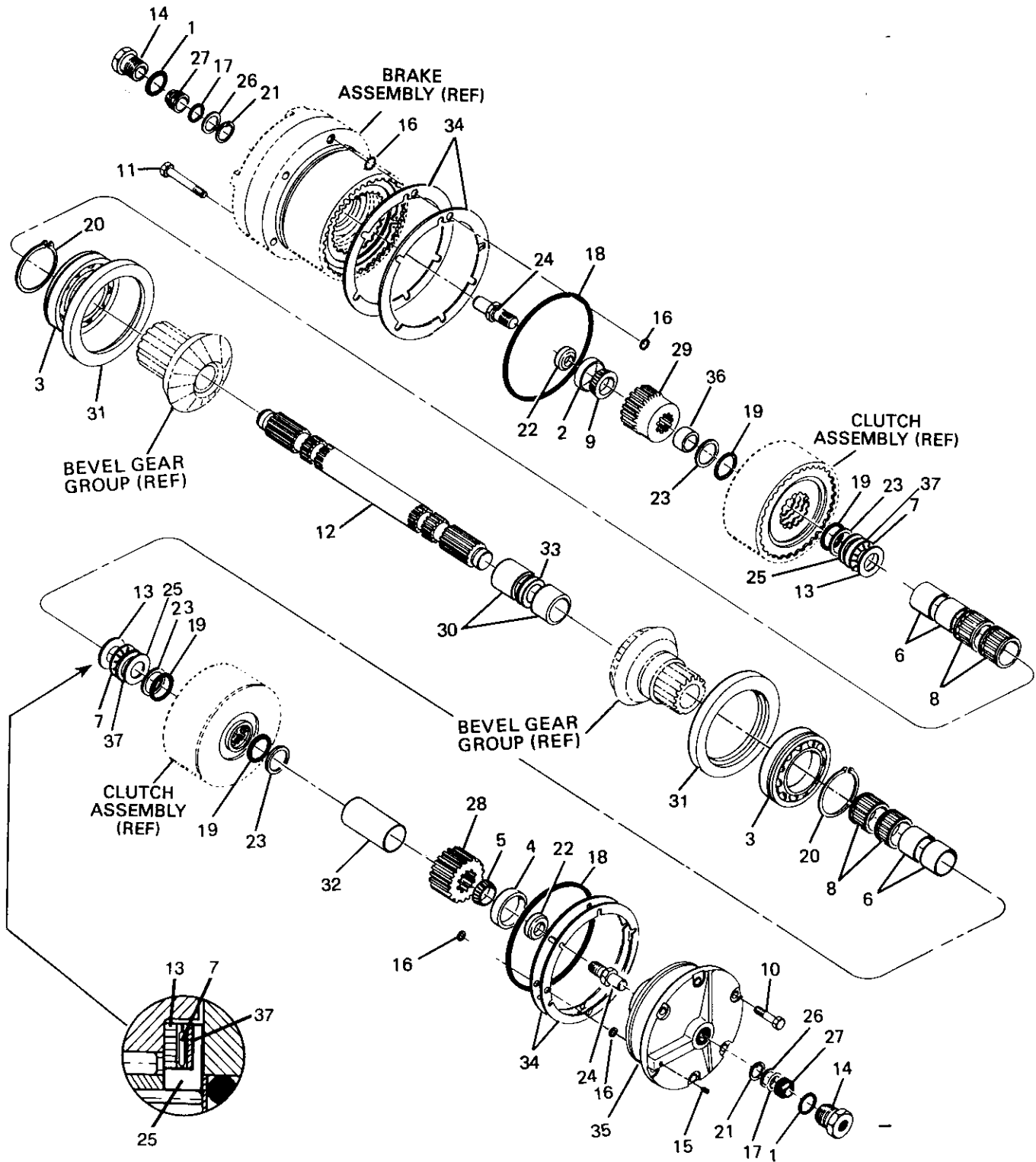


STANDARD PTO SHOWN, PART NUMBERS ARE IDENTICAL FOR STANDARD AND LOW PTO CONFIGURATIONS.

**MODEL 50A PS & PSC
CASE AND COVERS**

ITEM	PART NO.	DESCRIPTION	QTY.
1	22697	CAPSCREW, HEX HD.	28
2	70053	SCREW, DRIVE	4
3	70118	PLUG, DRAIN	1
4	70119	PLUG, OIL FILL	1
5	22586	O-RING	1
6	70148	COTTER PIN	4
7	10074	BREATHER VENT	1
8	70193	SIGHT PLUG	1
9	69533	SERIAL NUMBER PLATE	1
10	70302	TOP ACCESS PLATE	1
11	70249	GASKET	1
12	70305	STRAINER COVER	1
13	70495	DRAWBAR PIN	1
14	70505	CAUTION TAG	1
15	69951	COVER	1
16	69950	GASKET	1
17	69949	TIE BAR	1
18	70404	COVER	2
19	70496	GASKET	2
20	31607	O-RING — DRAIN PLUG	1
21	31608	O-RING — OIL FILL PLUG	2
22	69532	OVERWIND TAG	1
	69531	UNDERWIND TAG	1
23	27096	PLUG, OIL FILL — DRILLED	2

**MODEL 50A PS & PSC
CLUTCH SHAFT GROUP**

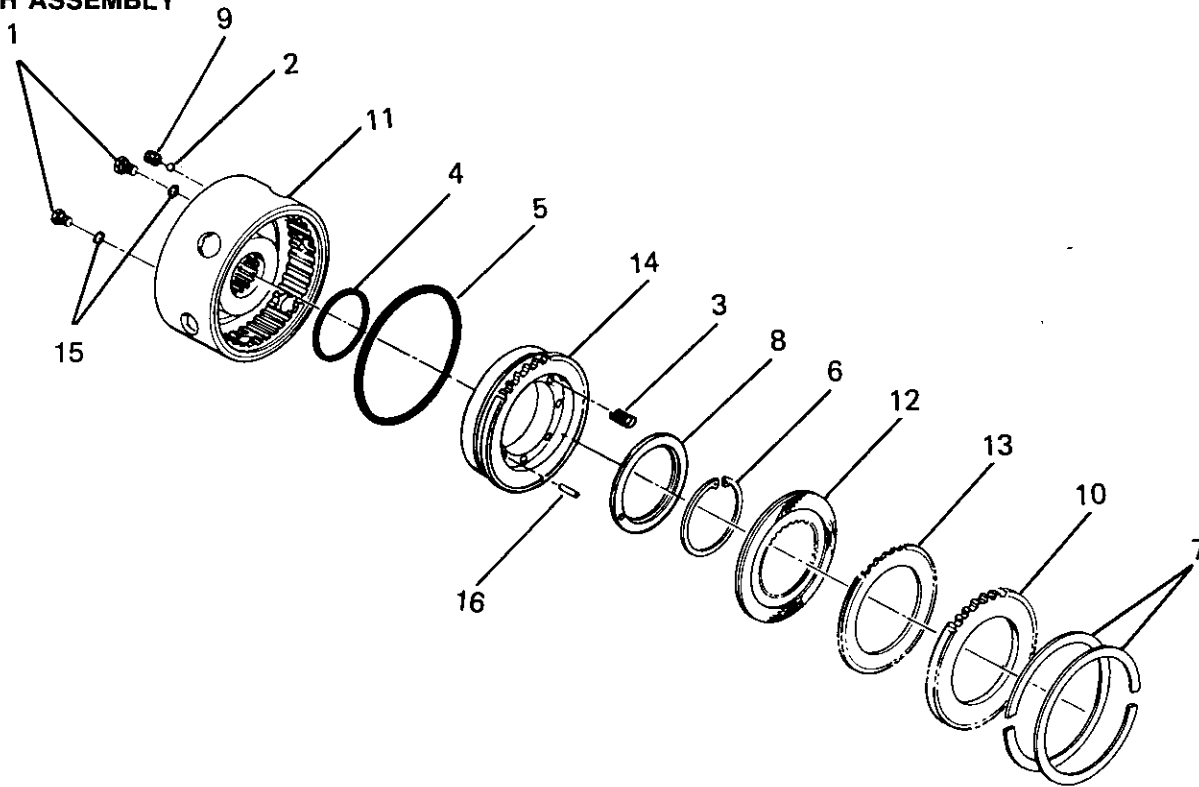


MODEL 50A PS & PSC
CLUTCH SHAFT GROUP

ITEM	PART NO.	DESCRIPTION	QTY
1	31608	O-RING (PART OF ITEM 14)	2
2	18049	BEARING CUP	1
3	70073	BALL BEARING — STD PTO	2
	70074	BALL BEARING, SHIELDED — LOW PTO	2
4	70075	BEARING CUP	1
5	70076	BEARING CONE	1
6	70083	NEEDLE BEARING — INNER RACE	4
7	11891	THRUST BEARING	2
8	70084	NEEDLE BEARING	4
9	18048	BEARING CONE	1
10	22697	CAPSCREW, HEX HEAD	6
11	24710	CAPSCREW, HEX HEAD	6
12	69997	CLUTCH SHAFT	1
13	11892	THRUST BEARING RACE	2
14	70119	PLUG (CONTAINS ITEM 1)	2
15	70120	PLUG	1
16	22454	O-RING	8
17	18170	O-RING	2
18	21833	O-RING	2
19	25023	O-RING	4
20	70158	RETAINING RING	2
21	70160	RETAINING RING	2
22	70361	BEARING RETAINER	2
23	25024	BACK-UP RING	4
24	70364	ROTARY SEAL SHAFT	2
25	69691	THRUST BEARING, SHOULDER SPACER	2
26	70333	BACK-UP WASHER	2
27	70334	ROTARY SEAL	2
28	69991	PINION GEAR	1
29	70292	BRAKE HUB	1
30	69690	BEVEL GEAR SPACER	2
31	70376	BEARING CARRIER	2
32	69983	PINION SPACER	1
33	70247	SHIM SET	1
34	69959	SHIM .005	AR
	69811	SHIM .007	AR
	69810	SHIM .020	AR
35	69995	CLUTCH SHAFT BEARING CARRIER	1
36	69045	BRAKE HUB SPACER	1
37	69692	THRUST BEARING WASHER	2

AR — AS REQUIRED

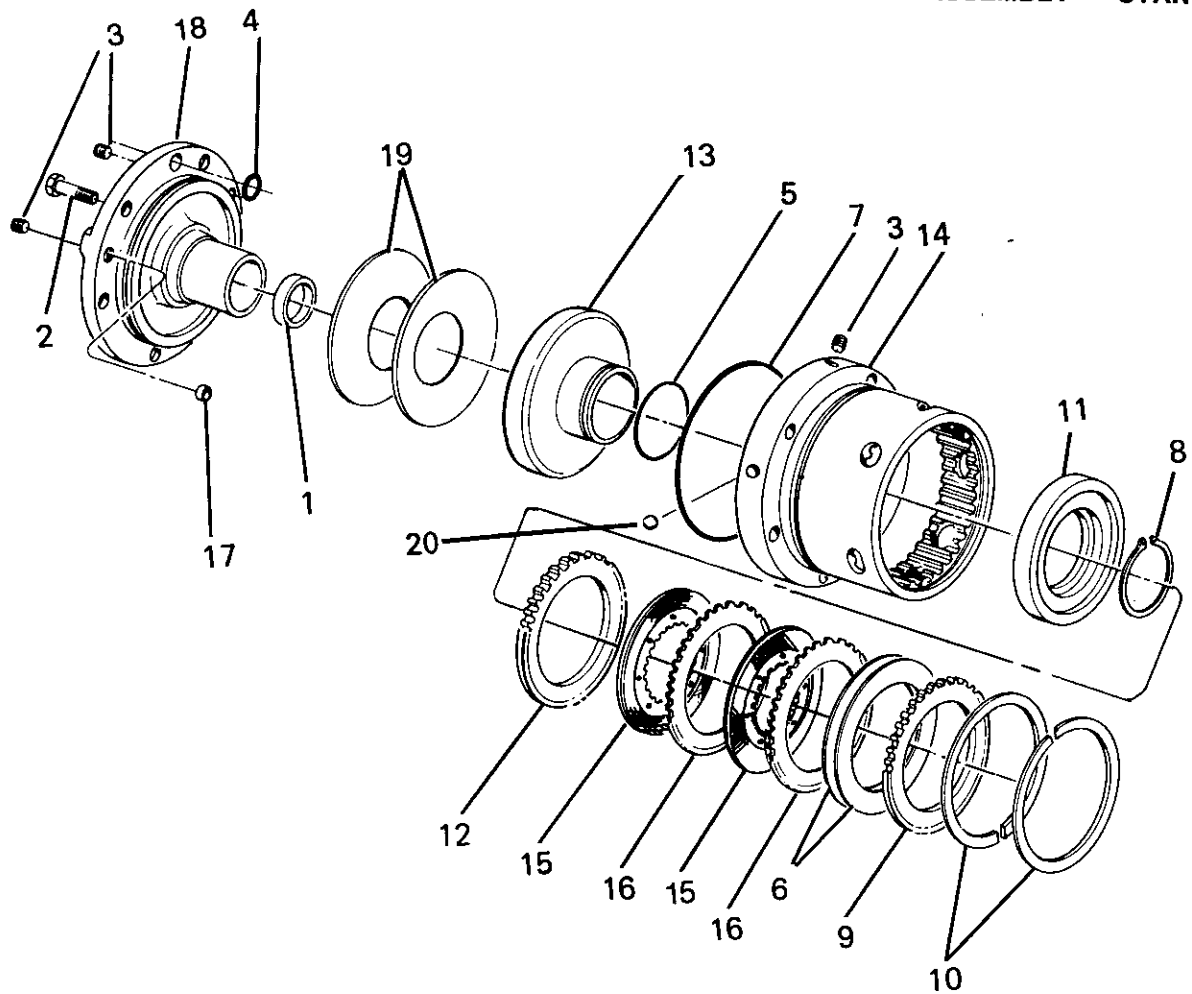
**MODEL 50A PS & PSC
CLUTCH ASSEMBLY**



ITEM	PART NO.	DESCRIPTION	QTY
—	69697	CLUTCH ASSEMBLY — INCLUDES ITEMS 1-16	
1	70177	PLUG, O-RING FLUSH — INCLUDES ITEM 15	2
2	70126	STEEL BALL	1
3	70130	SPRING	8
4	77367	O-RING	1
5	22357	O-RING	1
6	70170	RETAINING RING	1
7	26147	RETAINING RING	2
8	70328	SPRING RETAINER	1
9	70241	CHECK VALVE SEAT	1
10	26755	PRESSURE PLATE	1
11	70604	CLUTCH HOUSING ASSEMBLY	1
12	70636	BRAKE DISC — FRICTION, BRONZE	5
13	69699	BRAKE DISC — STEEL, WAVED	4*
14	70306	CLUTCH PISTON	1
15	70724	O-RING	2
16	70862	PIN	1

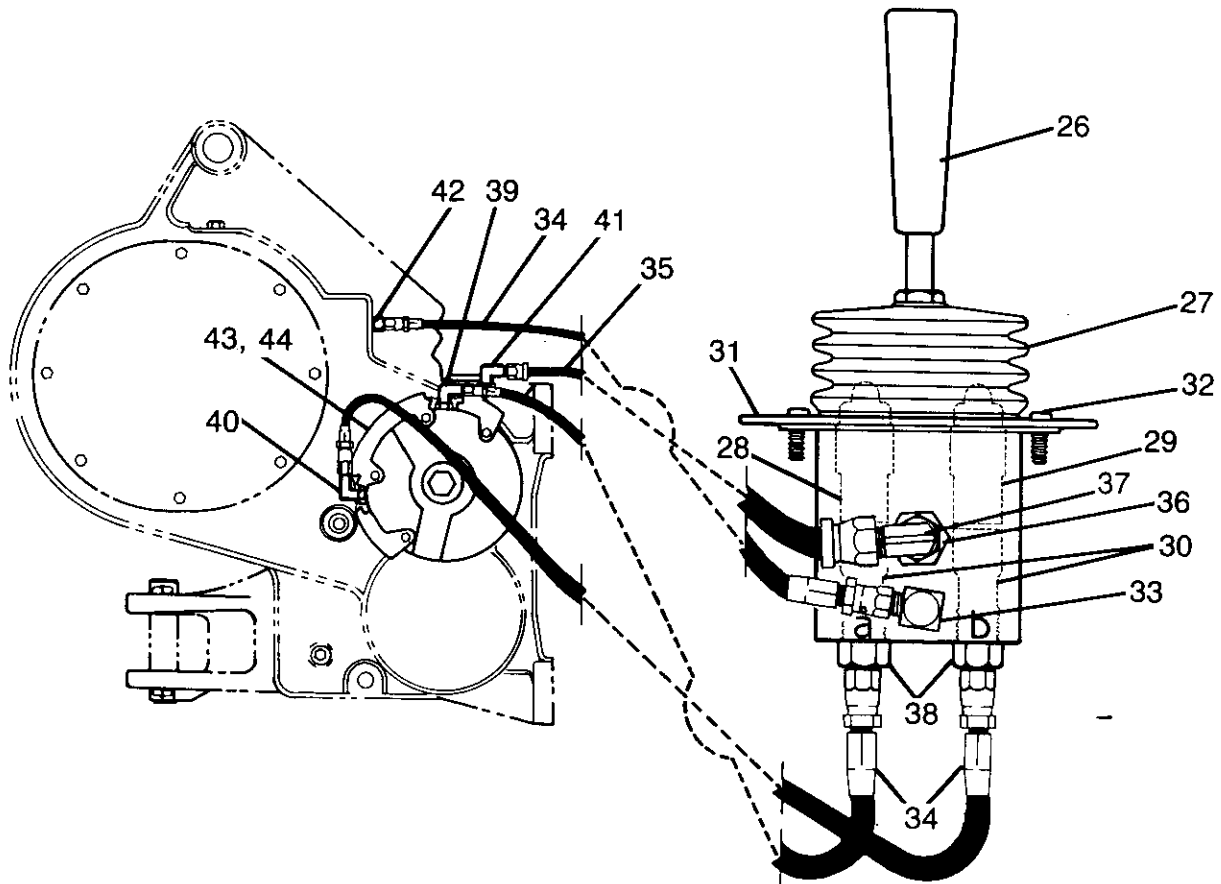
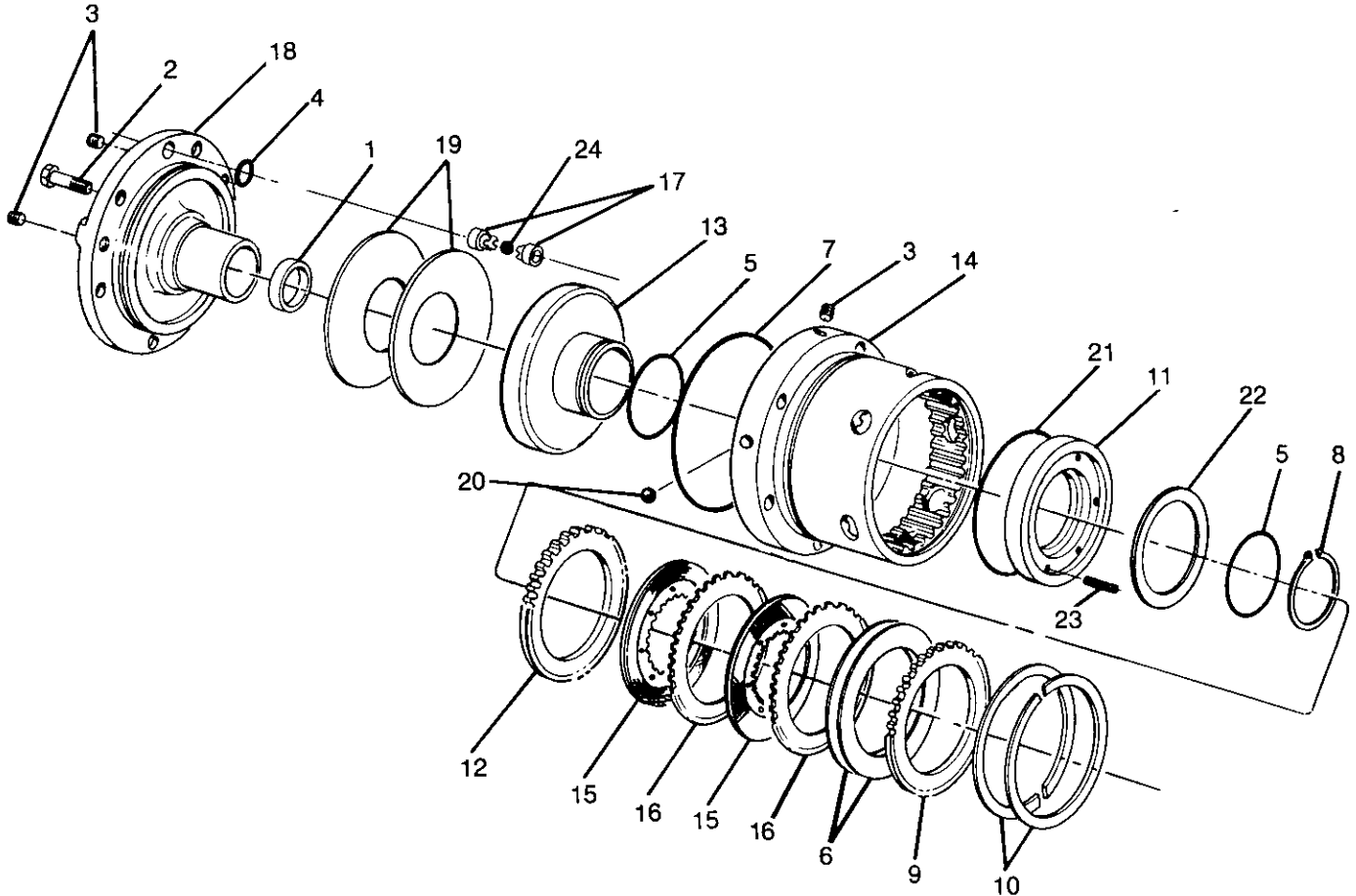
*Install one additional disc — steel 69699 if piston travel exceeds .165".

**MODEL 50A PS & PSC
BRAKE ASSEMBLY — STANDARD**



ITEM	PART NO.	DESCRIPTION	QTY
—	69923	BRAKE ASSEMBLY, STD — INCLUDES ITEMS 1-20	
1	18049	BEARING CUP	1
2	21961	CAPSCREW, HEX HEAD	2
3	70120	PLUG, HEX SOCKET	4
4	22454	O-RING	3
5	10330	O-RING	1
6	70279	SHIM SET	1
7	22358	O-RING	1
8	69807	RETAINING RING	1
9	26755	PRESSURE PLATE — OUTER	1
10	26147	RETAINING RING	2
11	69976	SPRING RETAINER	1
12	70293	PRESSURE PLATE — INNER	1
13	69921	BRAKE PISTON	1
14	69993	BRAKE HOUSING	1
15	70636	DISC — FRICTION BRONZE	8
16	69699	DISC — STEEL WAVED	8
17	69394	INSERT	1
18	69994	BRAKE CARRIER	1
19	70255	BRAKE SPRING	2
20	70126	STEEL BALL	2

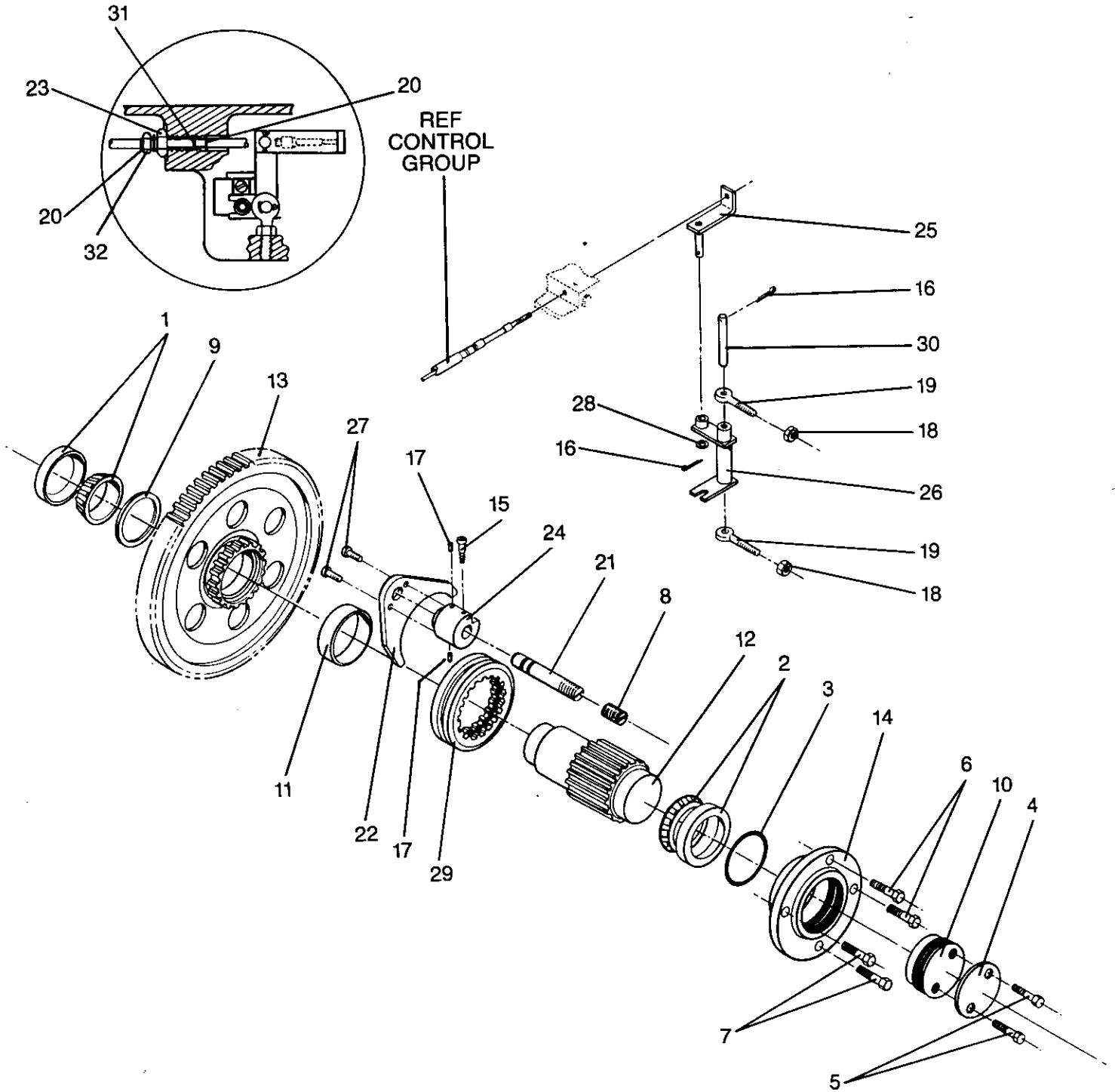
**MODEL 50A PS & PSC
MANUAL OVER-RIDE
BRAKE ASSEMBLY**



MODEL 50A PS & PSC
MANUAL OVER-RIDE
BRAKE ASSEMBLY

ITEM	PART NO.	DESCRIPTION	QTY
—	69839	BRAKE ASSEMBLY, MOR — INCLUDES ITEMS 1-24	
1	18049	BEARING CUP	1
2	21961	CAPSCREW, HEX HEAD	2
3	70120	PLUG, HEX SOCKET	4
4	22454	O-RING	3
5	10330	O-RING	2
6	70279	SHIM SET	1
7	22358	O-RING	1
8	69807	RETAINING RING	1
9	26755	PRESSURE PLATE — OUTER	1
10	26147	RETAINING RING	2
11	69925	OVERRIDE PISTON	1
12	70293	PRESSURE PLATE — INNER	1
13	69921	BRAKE PISTON	1
14	69993	BRAKE HOUSING	1
15	70636	DISC — FRICTION BRONZE	8
16	69699	DISC — STEEL WAVED	8
17	69518	BALL GUIDE	2
18	69994	BRAKE CARRIER	1
19	70255	BRAKE SPRING	2
20	70126	STEEL BALL	2
21	10450	O-RING	1
22	69924	SPRING RETAINER	1
23	69627	SPRING	6
24	12102	STEEL BALL	1
25	69511	CONTROL VALVE ASSEMBLY (INCLUDES VALVE PLUS ITEMS 26-30)	1
26	26691	HANDLE ASSEMBLY	1
27	26692	BOOT	1
28	26693	CARTRIDGE KIT — BREAK RELEASE — A PORT	1
29	26694	CARTRIDGE KIT — OVER-RIDE — B PORT	1
30	26695	METERING CARTRIDGE ASSEMBLY	2
31	69513	DATA PLATE	1
32	11047	CAPSCREW, HEX HEAD	2
33	31348	ELBOW — 90° MALE	1
34	70194	HOSE ASSEMBLY — PRESSURE	3
35	69499	HOSE ASSEMBLY — DRAIN	1
36	31286	ADAPTER	1
37	31426	UNION, 90° MALE	1
38	31284	ADAPTER	2
39	31333	ELBOW, 45° MALE	1
40	31341	ELBOW, 90° MALE	1
41	31343	ELBOW, 90°	1
42	21219	CONNECTOR, MALE	1
43	69317	HOSE GUARD	1
44	11073	WASHER	4

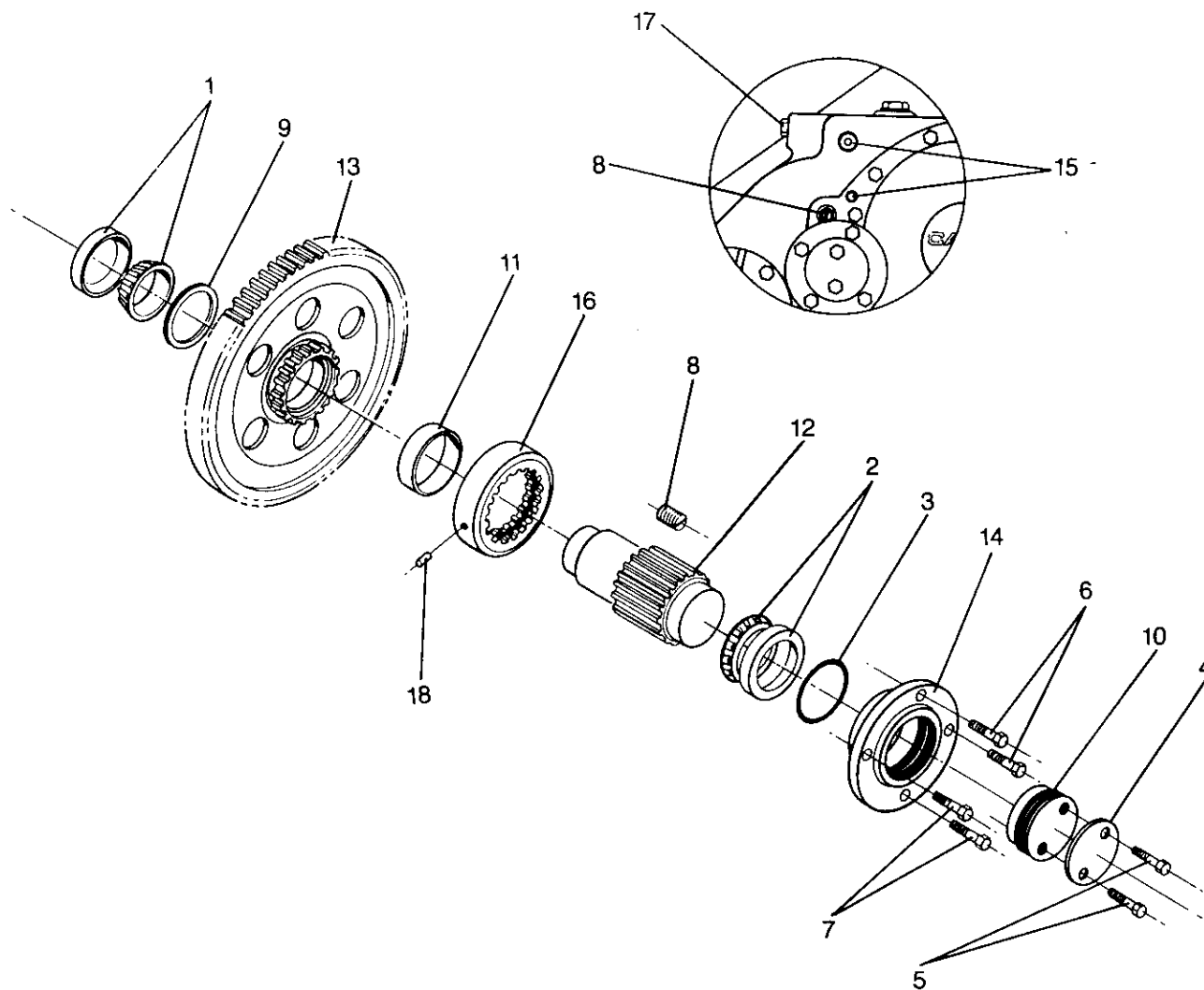
**MODEL 50A & PSC
IDLER SHAFT GROUP
WITH FREESPOOL**



**MODEL 50A & PSC
IDLER SHAFT GROUP
WITH FREESPOOL**

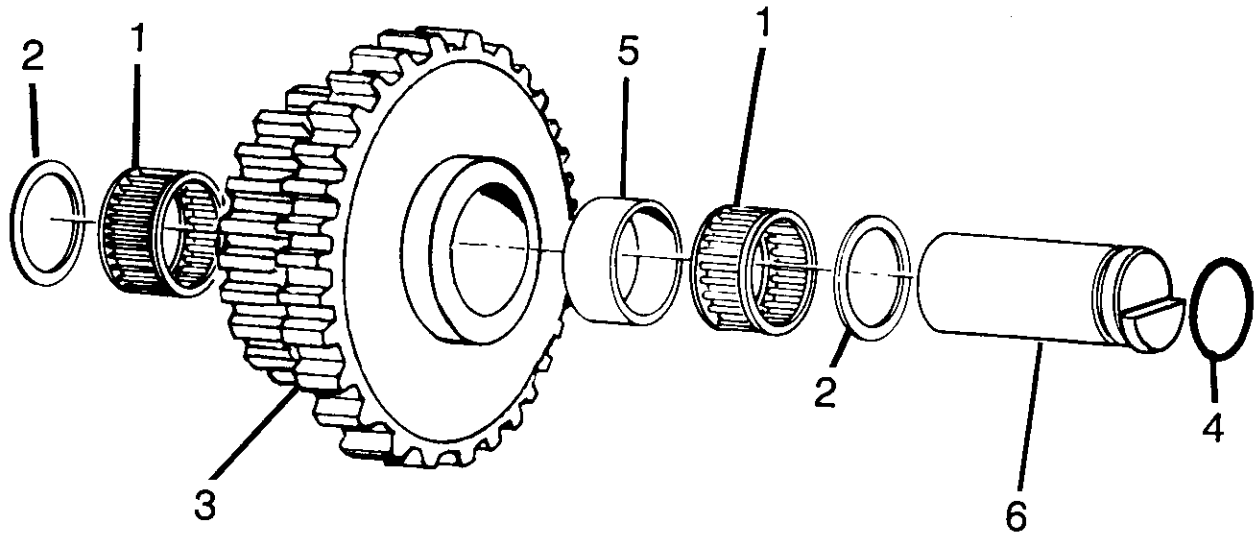
ITEM	PART NO.	DESCRIPTION	QTY.
1	69013	BEARING ASSEMBLY — INNER	1
2	69014	BEARING ASSEMBLY — OUTER	1
3	25880	O-RING	1
4	69655	LOCK PLATE	1
5	22729	CAPSCREW, HEX HEAD	2
6	22697	CAPSCREW, HEX HEAD	2
7	13421	CAPSCREW, HEX HEAD	2
8	69971	PLUG	1
9	11892	THRUST WASHER	1
10	69592	ADJUSTER	1
11	70349	BUSHING	1
12	69984	PINION, SECOND REDUCTION	1
13	69980	GEAR, FIRST REDUCTION	1
14	69974	CARRIER, IDLER SHAFT	1
15	70166	SHOULDER SCREW	1
16	70861	COTTER PIN	2
17	70136	BALL PLUNGER	2
18	18004	JAM NUT	2
19	70370	ROD END	2
20	69653	RETAINING RING	2
21	70347	SHIFT RAIL	1
22	70348	YOKE	1
23	11059	JAM NUT	1
24	69263	SHIFT COLLAR	1
25	70652	CABLE CONNECTOR	1
26	69262	BELLCRANK WELDMENT	1
27	22693	CAPSCREW, HEX HEAD	2
28	11073	WASHER	1
29	69979	COLLAR	1
30	69978	PIN	1
31	21119	O-RING	1
32	69963	CONTROL CABLE ADJUSTER	1

**MODEL 50A & PSC
IDLER SHAFT GROUP
WITHOUT FREESPOOL**



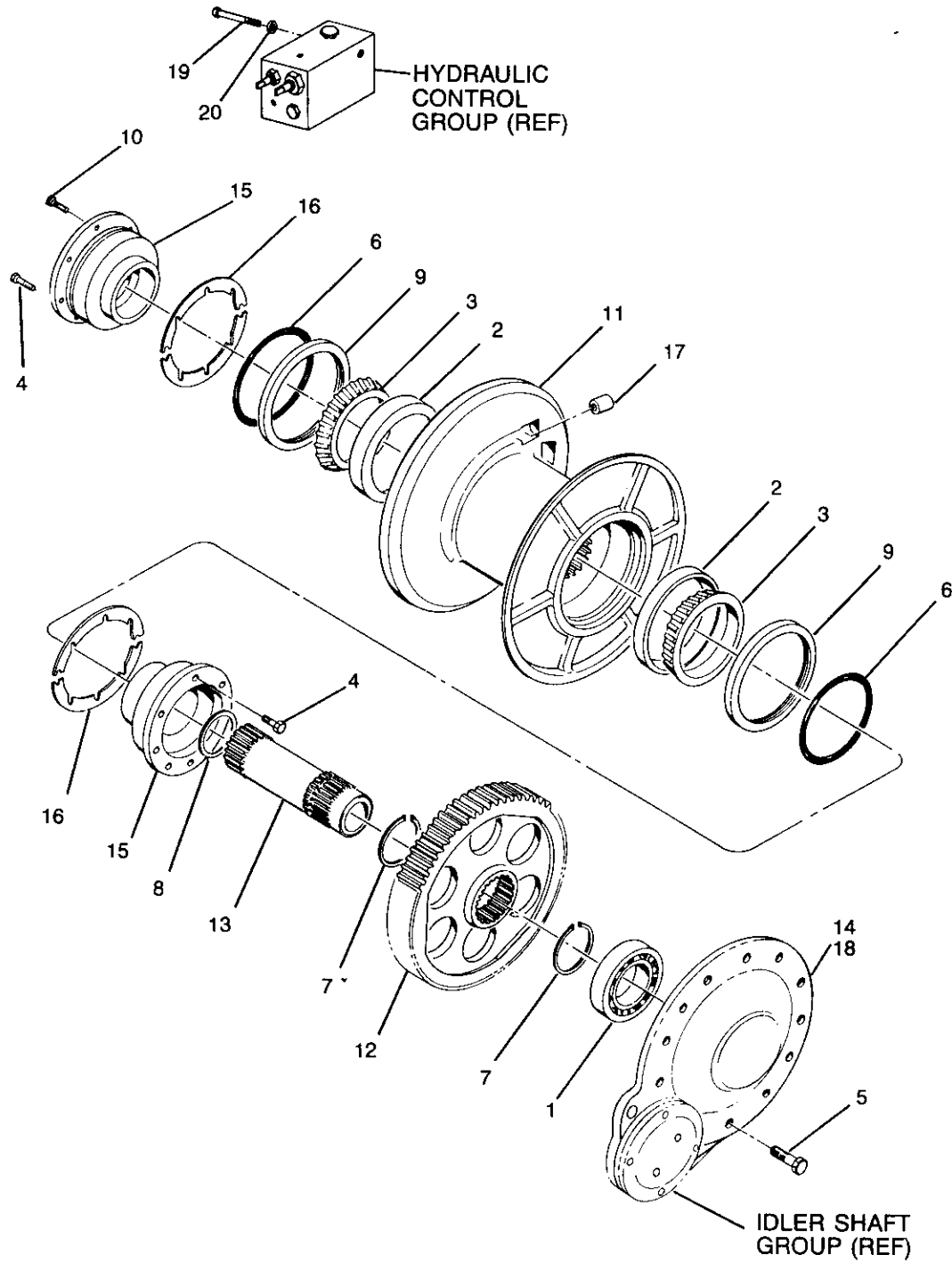
ITEM	PART NO.	DESCRIPTION	QTY.
1	69013	BEARING ASSEMBLY — INNER	1
2	69014	BEARING ASSEMBLY — OUTER	1
3	25880	O-RING	1
4	69655	LOCK PLATE	1
5	22729	CAPSCREW, HEX HEAD	2
6	22697	CAPSCREW, HEX HEAD	2
7	13421	CAPSCREW, HEX HEAD	2
8	69971	PLUG	1
9	11892	THRUST WASHER	1
10	69592	ADJUSTER	1
11	70349	BUSHING	1
12	69984	PINION, SECOND REDUCTION	1
13	69980	GEAR, FIRST REDUCTION	1
14	69974	CARRIER, IDLER SHAFT	1
15	69781	SCREW, SOCKET HEAD	2
16	69977	COLLAR	1
17	69782	CAPSCREW HEX HEAD	1
18	11836	ROLLPIN	1

**MODEL 50A PS & PSC
FOURTH SHAFT GROUP**



ITEM	PART NO.	DESCRIPTION	QTY
1	70648	ROLLER BEARING	2
2	24581	THRUST WASHER	2
3	69985	CLUSTER GEAR	1
4	13838	O-RING	1
5	70342	SPACER	1
6	69673	COUNTERSHAFT PIN	1

**MODEL 50A PS & PSC
CABLE DRUM GROUP**

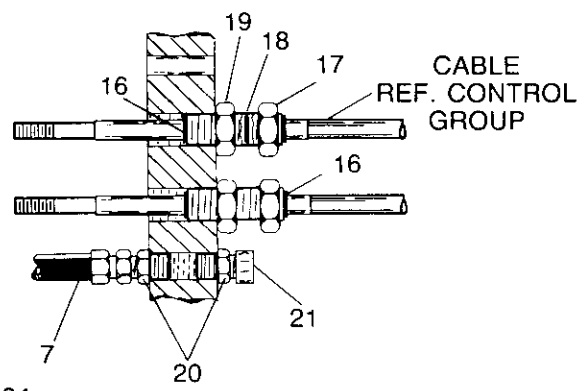
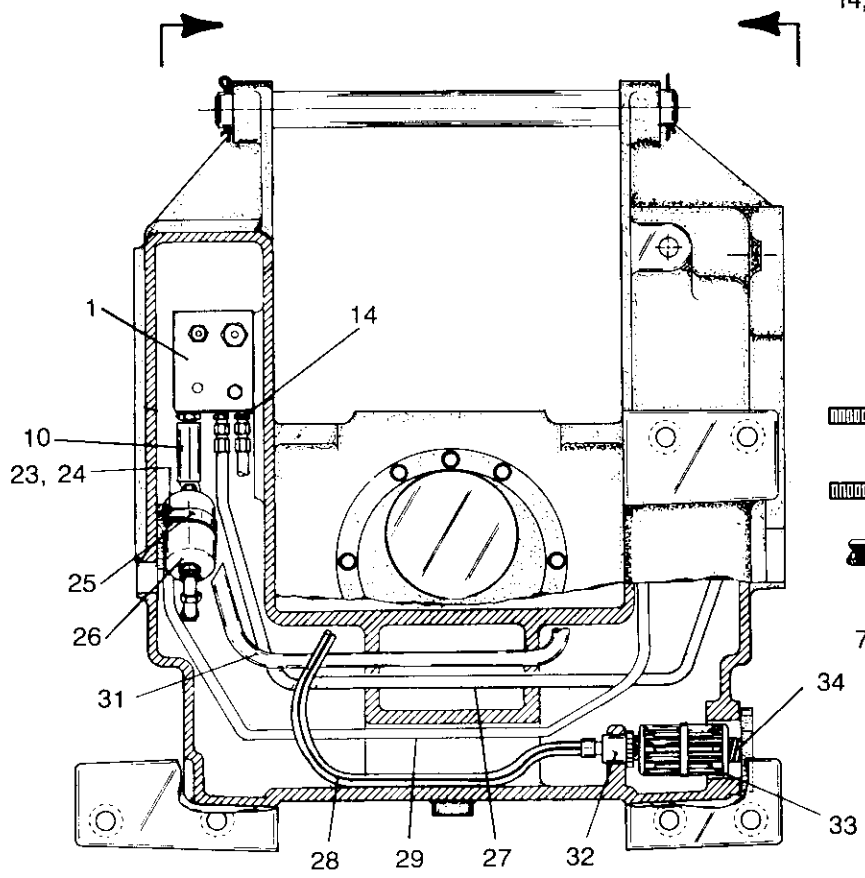
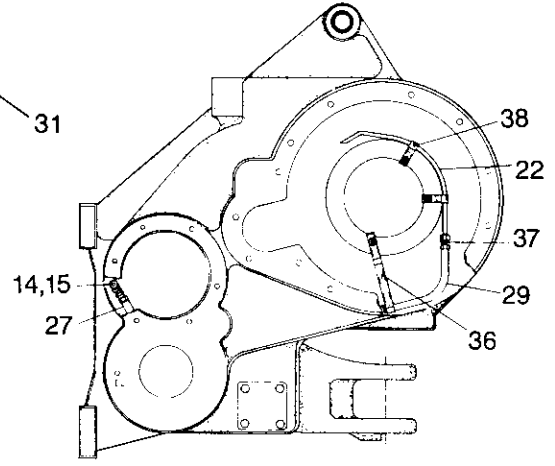
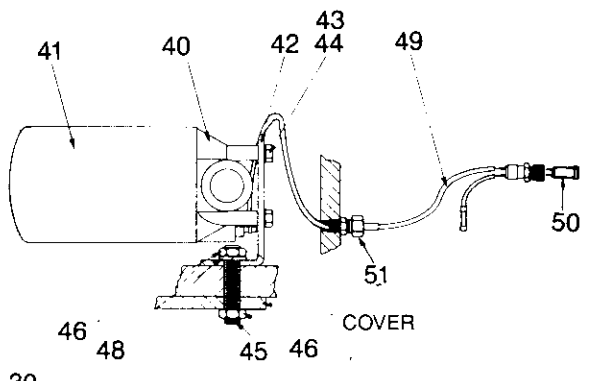
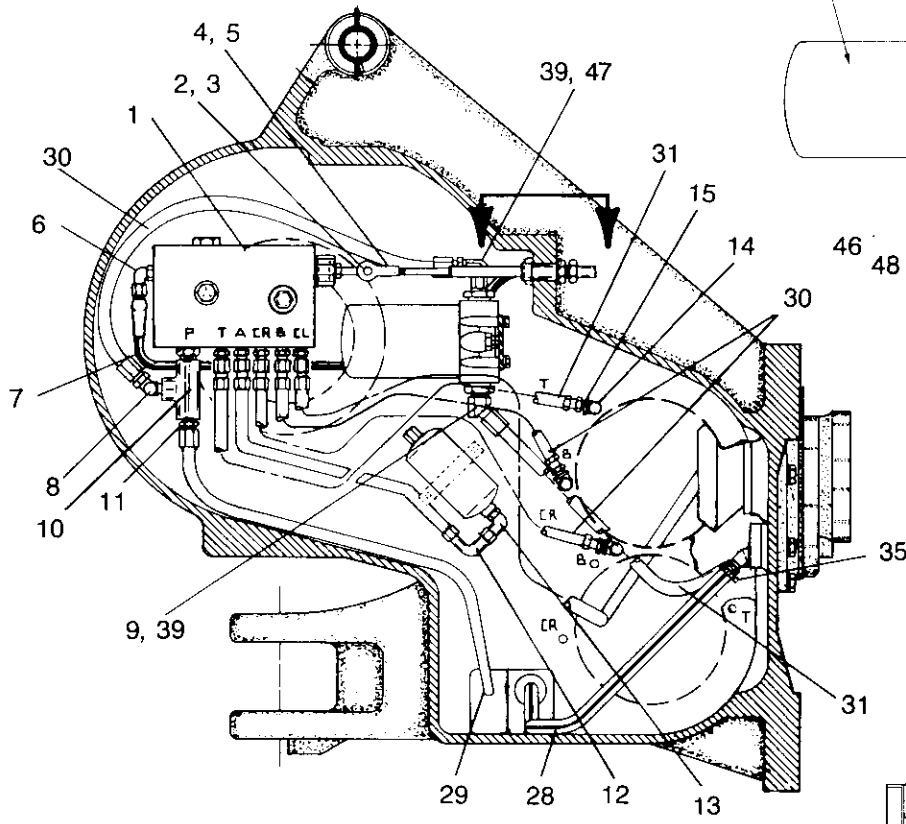


CABLE DRUM GROUP

MODEL 50A PS & PSC
CABLE DRUM GROUP

ITEM	PART NO.	DESCRIPTION	QTY.
1	70070	BALL BEARING	1
2	70078	BEARING CUP	2
3	70079	BEARING CONE	2
4	22697	CAPSCREW, HEX HD.	10
5	13938	CAPSCREW, HEX HD.	11
6	70140	O-RING	2
7	70513	RETAINING RING	2
8	70164	RETAINING RING	1
9	70167	OIL SEAL	2
10	69789	CAPSCREW, SOCKET HD.	1
11	69998	CABLE DRUM	1
12	68862	GEAR, 2ND REDUCTION	1
13	69988	SHAFT, 2ND REDUCTION	1
14	69608	BEARING CARRIER, COVER	1
15	70310	BEARING CARRIER, DRUM	2
16	70264	SHIM SET	1
17	32509	FERRULE — 5/8" WIRE ROPE	1
	32506	FERRULE — 3/4" WIRE ROPE — STD.	1
18	—	NO GASKET, USE SILASTIC	—
		SEALANT RTV 730 OR EQUIVALENT	
19	31148	CAPSCREW, HEX HD.	1
20	11073	WASHER, PLAIN	1

**MODEL 50A PS & PSC
HYDRAULIC CONTROL GROUP**

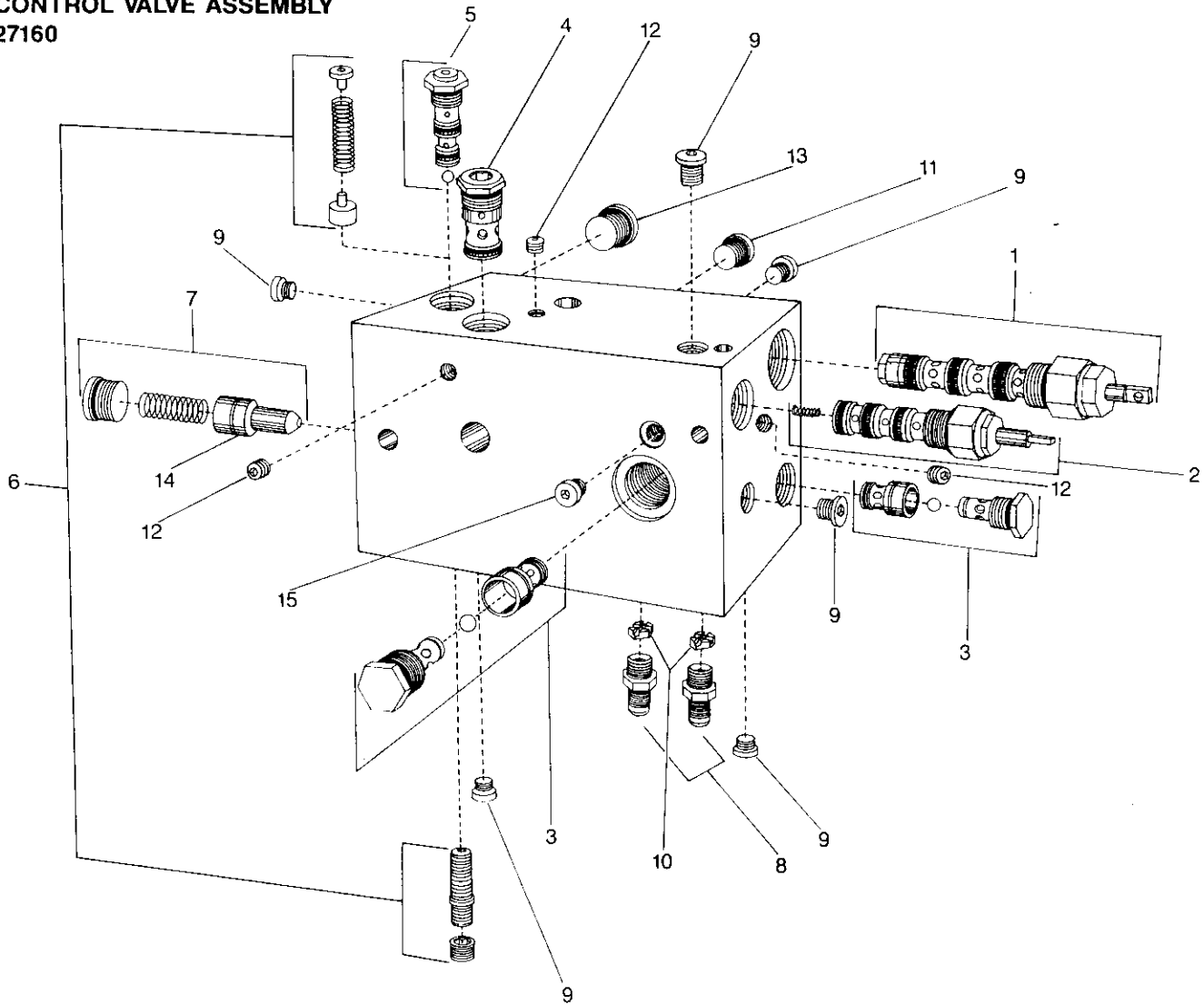


Standard PTO shown. Part numbers identical for low PTO. Low PTO port locations shown with circle (O) and stamped identification letters.

**MODEL 50A PS & PSC
HYDRAULIC CONTROL GROUP**

ITEM	PART NO.	DESCRIPTION	QTY.
1	27160	CONTROL VALVE ASSEMBLY	1
2	69313	CLEVIS PIN	2
3	69312	HITCH PIN	2
4	69771	CLEVIS YOKE	2
5	13468	JAM NUT	2
6	69774	ELBOW - 90°M	1
7	69770	HOSE ASSEMBLY - GAUGE PORT	1
8	69516	ELBOW -45° -8	1
9	26752	ELBOW -45°M	1
10	74212	TEE	1
11	27396	ADAPTER -8 -4	1
12	69964	HOSE ASSEMBLY - ACCUMULATOR	1
13	70109	ELBOW	1
14	70100	CONNECTOR	7
15	70124	UNION - 90°	4
16	69653	RETAINING RING	4
17	69963	CABLE ADJUSTER	2
18	21119	O-RING	2
19	11059	JAM NUT	2
20	21219	ADAPTER	2
21	70182	CAP	1
22	68996	LUBRICATION TUBE	1
23	22697	CAPSCREW, HEX HEAD	2
24	11073	WASHER	6
25	69972	STRAP	1
26	70146	ACCUMULATOR - PRECHARGED	1
27	70274	HOSE ASSEMBLY - CL	1
28	69046	HOSE ASSEMBLY - PUMP SUCTION	1
29	25893	HOSE ASSEMBLY - LUBE	1
30	70272	HOSE ASSEMBLY - CR, B, FLT TO P	3
31	70273	HOSE ASSEMBLY - T, PUMP TO FLT	2
32	69051	CONNECTOR	1
33	70189	SUCTION STRAINER	1
34	26005	SPRING	1
35	30997	HOSE CLAMP	1
36	68995	CLAMP	1
37	25891.	UNION	1
38	68994	CLAMP	2
39	27397	REDUCER BUSHING	2
40	27390	FILTER HEAD ASSEMBLY	1
41	27389	FILTER ELEMENT	1
42	27399	FILTER BRACKET	1
43	22693	CAPSCREW	2
44	18003	LOCKWASHER	2
45	27081	STUD ½ NC	1
46	11788	NUT ½ NC	2
47	27392	ELBOW - 90°M ½ NPT-8JIC	1
48	11026	LOCKWASHER	1
49	61914	WIRING ASSEMBLY (INCLUDES ITEMS 50 & 51)	1
50	27091	INDICATOR LAMP	1
51	27094	COMPRESSION FITTING	1

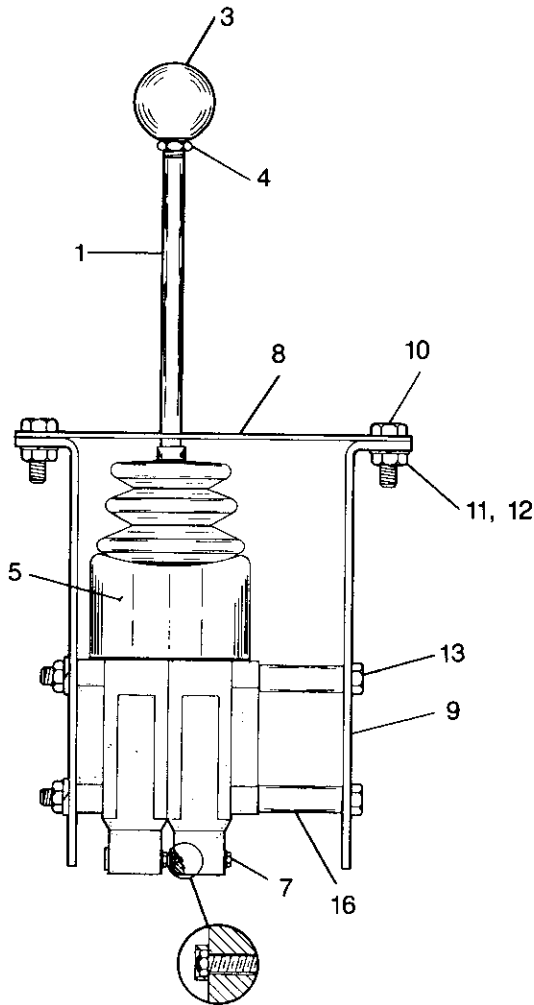
**MODEL 50A PS & PSC
CONTROL VALVE ASSEMBLY
27160**



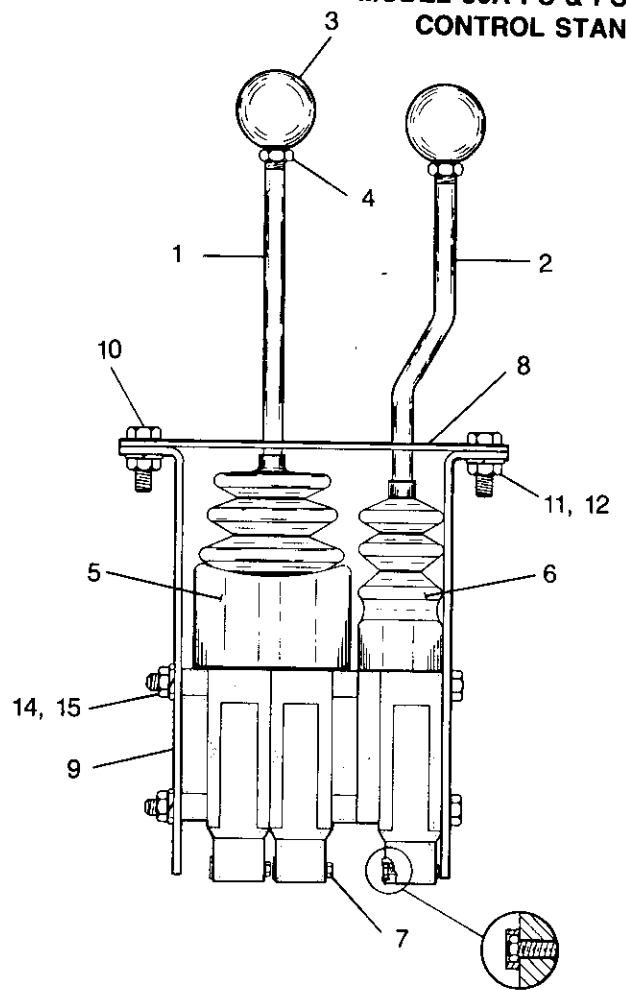
ITEM	PART NO.	DESCRIPTION	QTY
1	26712	DIRECTIONAL CONTROL CARTRIDGE	1
	61838	SEAL KIT FOR ITEM 1	1
2	26713	BRAKE CONTROL CARTRIDGE	1
	61839	SEAL KIT FOR ITEM 2	1
3	26715	SHUTTLE VALVE ASSEMBLY	2
	61841	SEAL KIT FOR ITEM 3	2
4	26714	CHECK VALVE CARTRIDGE	1
	61840	SEAL KIT FOR ITEM 4	1
5	26716	DIFFERENTIAL UNLOADING PILOT VALVE CARTRIDGE	1
	61842	SEAL KIT FOR ITEM 5	1
6	NSS	ADJUSTING SCREW KIT, DIFFERENTIAL UNLOADING PILOT VALVE	1
7	NSS	UNLOADING POPPET ASSEMBLY	1
8	NSS	ADAPTER, CLUTCH LINE-8-8 SAE 3/4-16 UNF	2
9	NSS	PLUG, O-RING FLUSH-4 SAE 7/16-20 UNF	6
10	NSS	RESTRICTOR	2
11	25665	PLUG, O-RING FLUSH-6 SAE 9/16-18 UNF	1
12	22374	PLUG 1/8 NPTF	- 3
13	NSS	PLUG, O-RING FLUSH-8 SAE 3/4-16 UNF	1
14	22454	O-RING	1
15	NSS	PLUG, O-RING FLUSH-2 SAE 5/16-24 UNF	1

NSS - NOT SERVICED SEPERATELY

**MODEL 50A PS & PSC
CONTROL STAND**



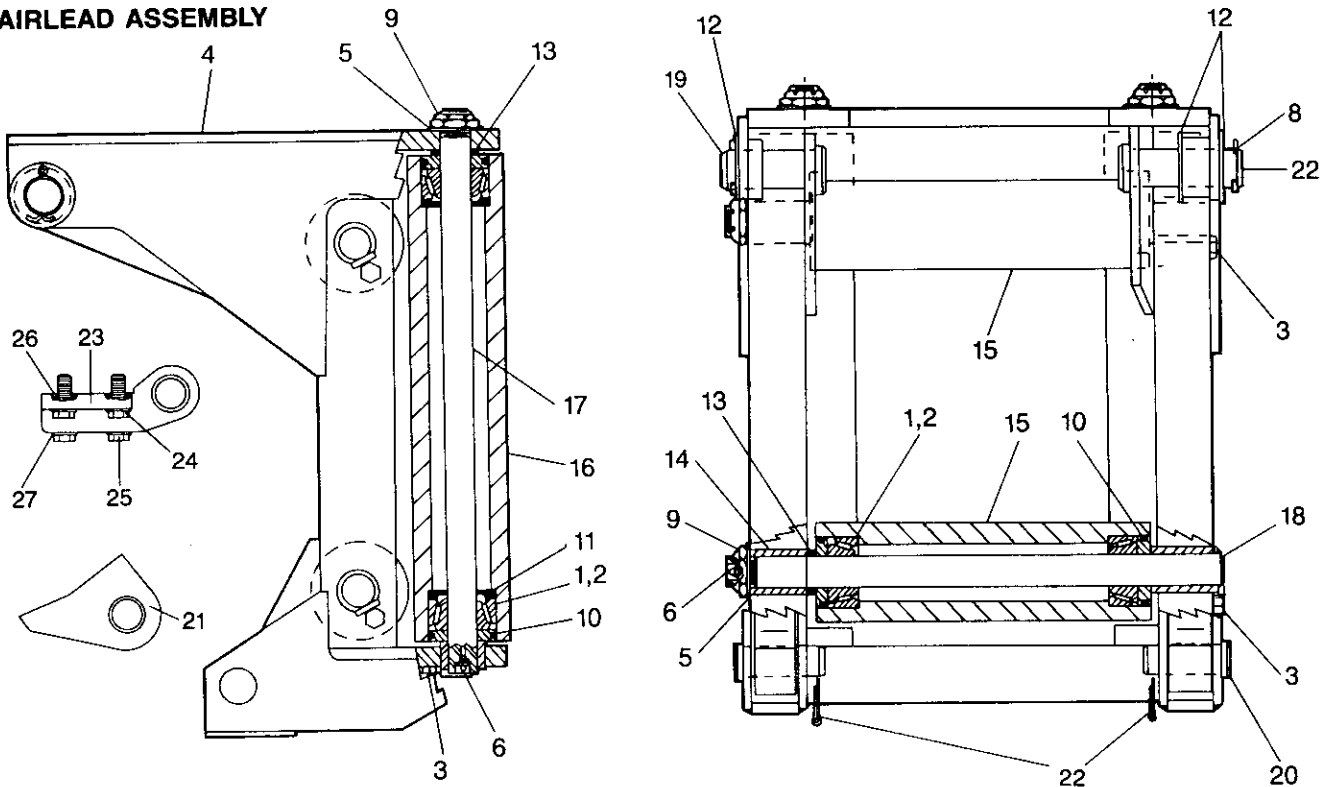
**CONTROL STAND KIT
69666 WITHOUT FREESPOOL**



**CONTROL STAND KIT
69667 WITH FREESPOOL**

ITEM	PART NO.	DESCRIPTION	QTY.
	69666	CONTROL STAND KIT WITHOUT FREESPOOL	
	69667	CONTROL STAND KIT WITH FREESPOOL	
1	69785	CONTROL ASSEMBLY - POWER SHIFT (CONTAINS CONTROL PLUS ITEMS 3, 4, 5 & 7)	1
2	69444	CONTROL ASSEMBLY - FREE SPOOL (CONTAINS CONTROL PLUS ITEMS 3, 4, 6 & 7)	1
3	26696	KNOB	1-2
4	12793	JAM NUT	1-2
5	26697	BOOT - FOR ITEM 1	1
6	26698	BOOT - FOR ITEM 2	1
7	—	CAPSCREW - CABLE LOCK 10-32 UNF × 1 ³ / ₁₆ " LG	2-3
8	69893	GATE PLATE	1
9	69891	CONTROL STAND BRACKET	2
10	69643	CAPSCREW, HEX HEAD	4
11	23195	LOCKWASHER	4
12	69645	NUT HEX	4
13	69642	CAPSCREW, HEX HEAD	3
14	69640	LOCKWASHER	3
15	69644	NUT, HEX	3
16	69651	SPACER	3

**MODEL 50A PS & PSC
FAIRLEAD ASSEMBLY**



ITEM	PART NO.	DESCRIPTION	QTY.	
			3 ROLLER	4 ROLLER
	61892	3 ROLLER FAIRLEAD ASSY ITEMS (1-19)		
	61893	4 ROLLER FAIRLEAD ASSY ITEMS (1-19)		
1	70833	BEARING CONE	6	8
2	70834	BEARING CUP	6	8
3	31178	CAPSCREW, HEX HD.	3	4
4	69880	FAIRLEAD FRAME	1	1
5	70850	WASHER	3	4
6	18047	GREASE FITTING	5	6
7	70857	PIN	1	1
8	70859	COTTER PIN	2	2
9	70863	LOCK NUT	3	4
10	70864	DUST GUARD ASSY	6	8
11	70865	GREASE RETAINER	4	4
12	69578	WASHER	3	3
13	70880	SPACER	3	4
14	36782	SPACER	1	2
15	36786	ROLLER — HORIZONTAL	1	2
16	36788	ROLLER — VERTICAL	2	2
17	36797	SHAFT — VERTICAL	2	2
18	36799	SHAFT — HORIZONTAL	1	2
19	69577	PIN	1	1
20	69576	PIN — LOWER	2	2
21	69878	LOWER WELD LUG	2	2
22	69745	COTTER PIN	2	2
23	26822	LOWER BOLT-ON BRKT — LH	1	1
	26823	LOWER BOLT-ON BRKT — RH	1	1
24	70023	CAPSCREW, HEX HD. 3/4 UNC X 2	4	4
25	72366	CAPSCREW, HEX HD. 3/4 UNC X 3 1/4	4	4
26	21123	O-RING	8	8
27	27022	SEAL WASHER	8	8