

# CARCO®

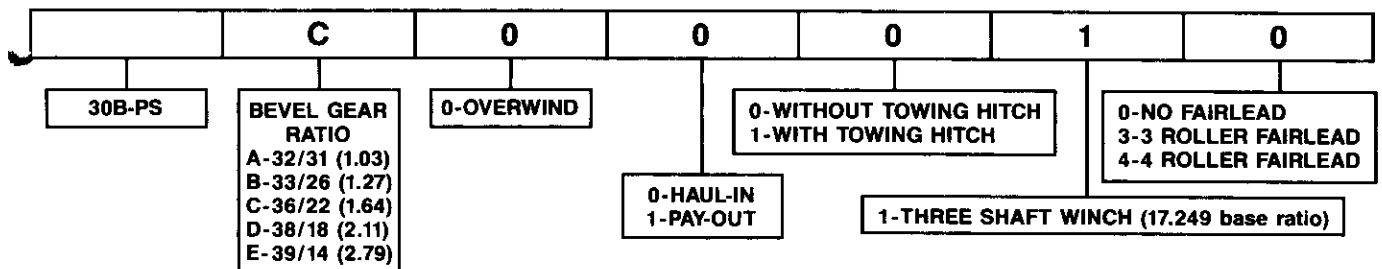
## PARTS MANUAL MODEL 30B-PS WINCH FOR

### J. I. CASE 450B & 450C, 550 & 550E, 650G, 850D & 850G

#### TABLE OF CONTENTS

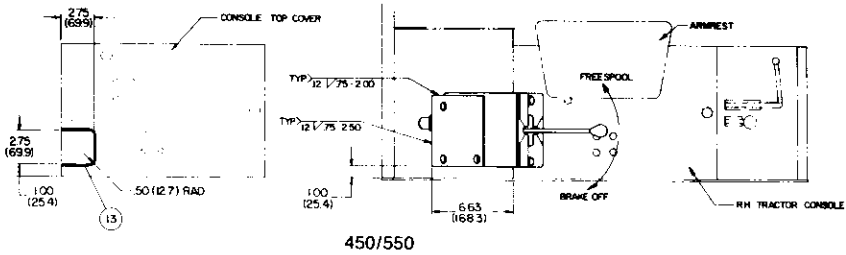
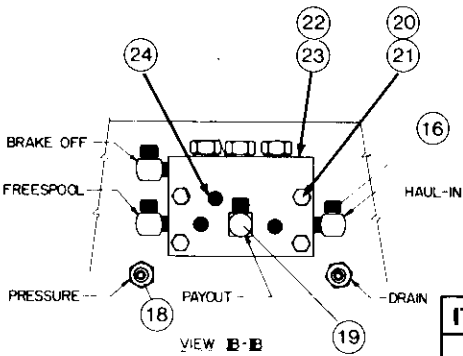
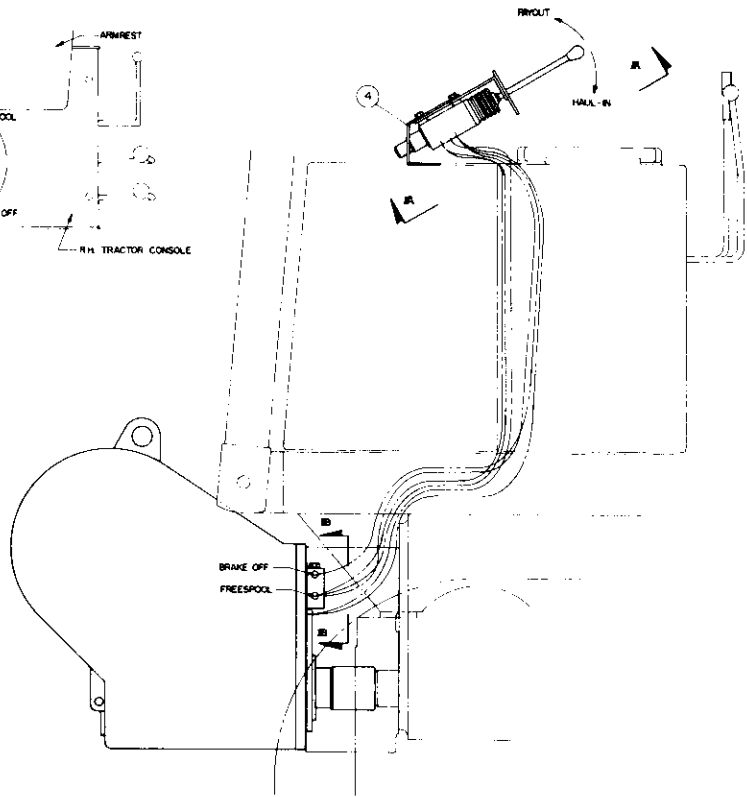
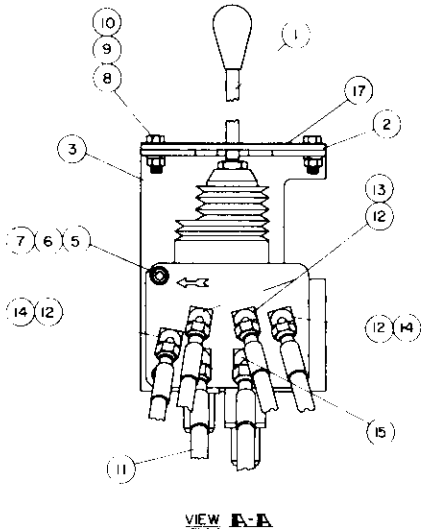
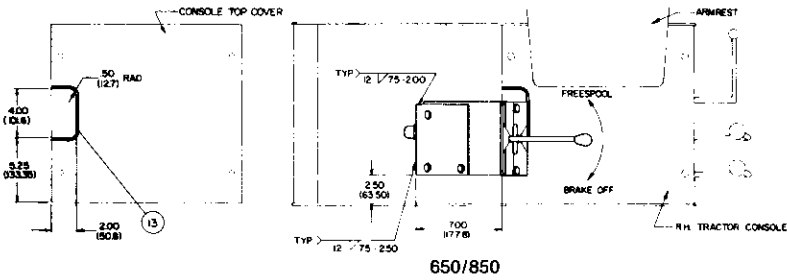
	PAGE
Hydraulic Control Group .....	2-3
Mounting Group .....	4-9
Adapter Assembly .....	10
Clutch Assembly .....	12
Pump and Accumulator .....	13
Hydraulic Group .....	14-15
Drum Group .....	16-17
Fairlead Assembly and Drawbar .....	18
Brake and Clutch Hydraulic Tube Assemblies .....	19

#### MODEL NUMBER DESCRIPTION



## **PACCAR WINCH DIVISIONS**

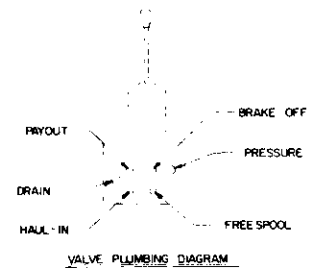
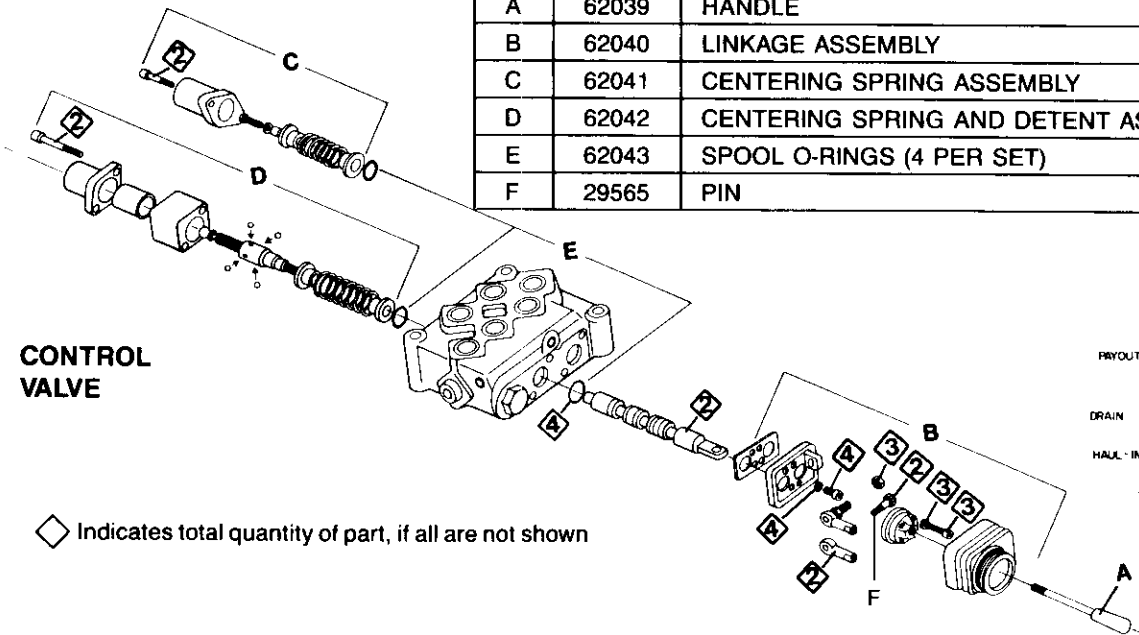
**MODEL 30B PS  
CONTROL GROUP**



**CONTROL VALVE**

ITEM	PART NO.	DESCRIPTION	QTY.
1	26214	VALVE	1
A	62039	HANDLE	1
B	62040	LINKAGE ASSEMBLY	1
C	62041	CENTERING SPRING ASSEMBLY	1
D	62042	CENTERING SPRING AND DETENT ASSEMBLY	1
E	62043	SPOOL O-RINGS (4 PER SET)	1
F	29565	PIN	2

**CONTROL VALVE**



◇ Indicates total quantity of part, if all are not shown

**CONTROL INSTALLATION INSTRUCTIONS**

NOTE: These instructions are provided as a general guide. Tractor options, application requirements or local regulations may require deviation from these recommendations.

1. Modify console top cover as shown.
2. Attach hoses (6 with payout, 5 without), item 11, to control valve, item 1, with adapters/elbows, items 12, 13, 14 and 15. Use view A-A for location of various adapters/elbows. Mark the end of each hose with masking tape and pen for port location; use valve plumbing diagram to determine port location.
3. Carefully route hoses from tractor console through tractor rear face. Route hoses to clear back-up alarm, battery, and other tractor control mechanisms.

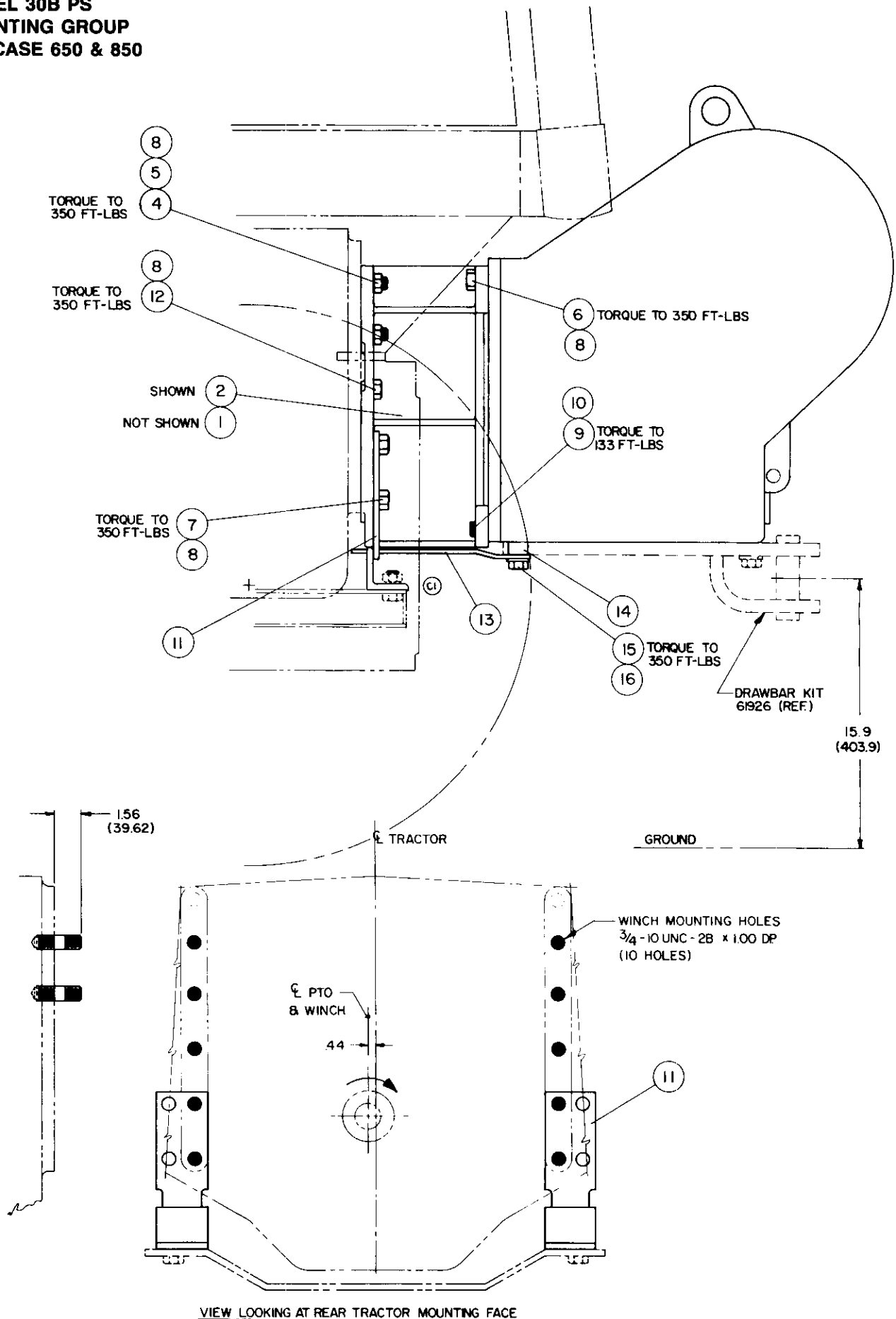
4. Mount bracket, item 4, to tractor console with fasteners, items 8, 9 and 10; torque to 31 lb·ft (42 N·m).
5. Attach control valve, item 1, to bracket, item 4, with fasteners, items 5, 6 and 7. Torque to 18 lb·ft (42 N·m).
6. Attach gater plate, item 2, and control placard, item 17, to bracket, item 4, with fasteners, items 8, 9 and 10; torque to 31 lb·ft (42 N·m).
7. Install elbows, items 16 and 19 and test port caps, item 24, on shuttle valve body, item 22. Install shuttle valve, item 22, onto winch with o-rings, item 23, and fasteners, items 20 and 21. Torque to 31 lb·ft (42 N·m). Install pressure and drain fittings, item 18, on winch.

Note that 90° elbow, item 19, contains an orifice. Insure that it is installed in the correct location, as illustrated.

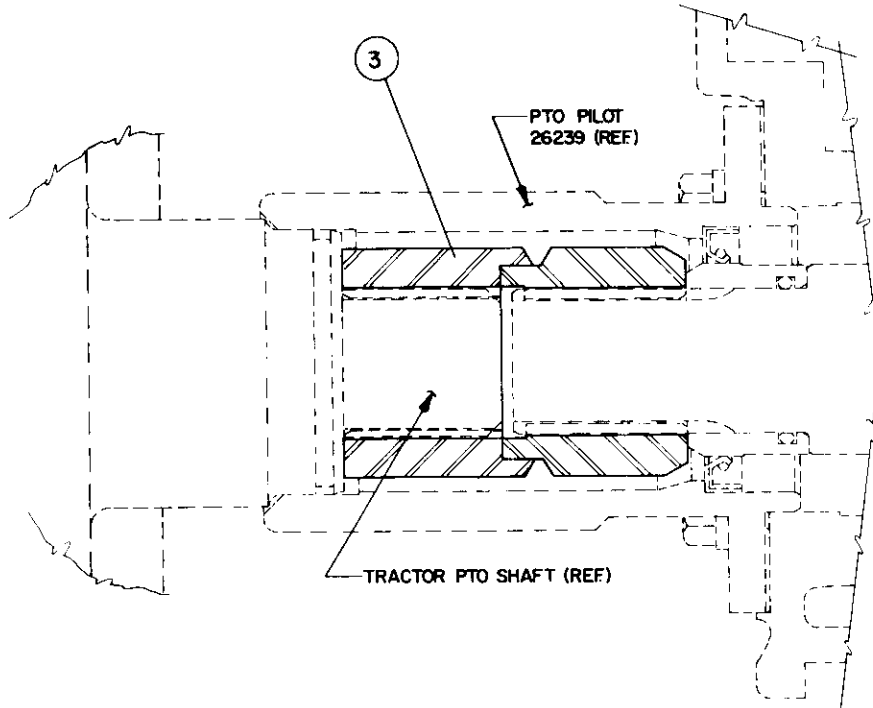
ITEM	DESCRIPTION	W/HAUL-IN ONLY		W/PAY-OUT	
		PART NO.	QTY.	PART NO.	QTY.
1	CONTROL VALVE	26214	1	26214	1
2	GATER PLATE	26409	1	26410	1
3	VALVE BRACKET	26833	1	26833	1
4	MOUNTING BRACKET	27102	1	27102	1
5	CAPSCREW (5/16-18 × 2 3/4 G5, HEX)	27148	3	27148	3
6	WASHER, 5/16	69640	3	69640	3
7	HEX NUT (5/16-18 G2)	69644	3	69644	3
8	CAPSCREW (3/8-16 × 1 G5, HEX)	27151	4	27151	4
9	LOCKWASHER (3/8)	27152	4	27152	4
10	HEX NUT (3/8-16 G5)	27153	4	27153	4
11	HOSE ASSEMBLY – 72"	27627	5	27627	6
12	ELBOW, 45°	27149	3	27149	4
13	ADAPTER STRAIGHT	79099	1	79099	2
14	ADAPTER STRAIGHT	26891	2	26891	2
15	ELBOW, 45°	25868	2	25868	2
16	ELBOW, 90°	31342	3	31342	3
17	CONTROL PLACARD	26609	1	26605	1
18	ADAPTER, STRAIGHT	31307	2	31307	1
19	ELBOW, 90° W/ORIFICE	—	—	27746	1
20	CAPSCREW (3/8-16 × 2 G5, HEX)	22704	4	22704	4
21	WASHER, 3/8	13929	4	13929	4
22	MANIFOLD BLOCK	27517	1	27518	1
22A	SHUTTLE VALVE SEAL KIT	29874	2	29874	3
23	O-RING, MANIFOLD TO CASE	72097	3	72097	4
24	CAP	70182	3	70182	3

NOTE: On winches with haul-in only, a plug (part number 26686), is used in the pay-out port of the control valve.

**MODEL 30B PS  
MOUNTING GROUP  
J. I. CASE 650 & 850**



**MODEL 30B PS  
MOUNTING GROUP  
J. I. CASE 650 & 850**



**INSTRUCTIONS**

1. PTO rotation is CW as viewed from rear of the tractor.
2. Remove the tractor PTO shaft cover.
3. Remove paint, dirt, rust, etc. from mounting surfaces of tractor rear face, winch spacers and winch.
4. Remove existing belly pan brackets from tractor. Retain hardware for later use.
5. Remove existing access door from rear of tractor. Replace with J. I. Case "tilt-out" door and components as listed below.

Use existing door latch and hardware with new door. Coat threads with Loc-tite 242 and torque to 31 lb•ft (42 N•m)

CASE P/N	DESCRIPTION	QTY.
R555151	TILT OUT DOOR	1
R47813	LH MOUNTING ANGLE	1
R47814	RH MOUNTING ANGLE	1
R51413	REAR DOOR SUPPORT ANGLE	1
R48725	ANGLE	2
13-618	BOLT (3/8-16 UNC × 1.13)	2
D33553	SPACER	2
13-616	BOLT (3/8-16 UNC × 1.0)	5
D41740	WASHER (3/8 HARDENED)	5
131-203	NUT (3/8-16 UNC, LOCK)	4

ITEM	PART NO.	DESCRIPTION	QTY.
1	26237	MOUNTING BRACKET, RH	1
2	26238	MOUNTING BRACKET, LH	1
3	26248	COUPLING	1
4	26252	STUD	4
5	13444	HEX NUT (3/4 NC HEX)	4
6	78453	CAPSCREW, HEX HEAD (3/4 NC × 2 1/2 G8)	4
7	70791	CAPSCREW, HEX HEAD (3/4 NC × 2 1/4 G8)	4
8	13824	WASHER (3/4, SAE TYPE A NARROW)	14
9	27247	CAPSCREW, 12 PT. (1/2 NC × 2 1/4 G8)	4
10	27248	HARDENED WASHER	4
11	26660	BELLY PAN BRACKET	2
12	31033	CAPSCREW, HEX HEAD (3/4 NC × 1 3/4 G8)	2
13	27239	LOWER GUARD	1
14	27240	SPACER	4
15	70691	CAPSCREW, HEX HEAD (3/4 NC × 2 G8)	4

**MODEL 30B PS  
MOUNTING GROUP  
J. I. CASE 650 & 850**

6. Install mounting brackets, items 1 and 2, onto winch with capscrews, items 6 and 9, and washers, items 8 and 10. Apply loc-tite 242 and torque fasteners as follows:

$\frac{3}{4}$  NC  $\times$  2 $\frac{1}{2}$  GD 8 . . . . 265 lb•ft (360 N•m)  
 $\frac{1}{2}$ -13  $\times$  2 $\frac{1}{4}$  GD 8 . . . . 75 lb•ft (102 N•m)

7. Install coupling, item 3, onto winch shaft. Coat splines with multi-purpose grease before installation.
8. Coat threads of studs, item 4, with Loc-tite 242 and install to projection shown.

**⚠ WARNING**

Winch weighs approximately 1,000 lb (454 kg) without oil, cable or tractor adapters. Make certain lifting equipment has adequate capacity. Failure to use adequate lifting equipment may result in property damage, personal injury or death.

9. Install winch onto studs and fasten with nuts and washers, items 5 and 8. It may be necessary to "bump" tractor starter to properly align tractor shaft splines with coupling. Coat threads with Loc-tite 242 and torque to 265 lb•ft (360 N•m).
10. Install belly pan brackets, item 11, to mounting brackets and belly pan as shown. Fasten to mounting brackets with capscrews, item 7, and flat-

washers, item 8. Note: install flatwashers into spot-faces between mounting brackets and belly pan brackets. Use existing hardware to assemble bracket to belly pan.

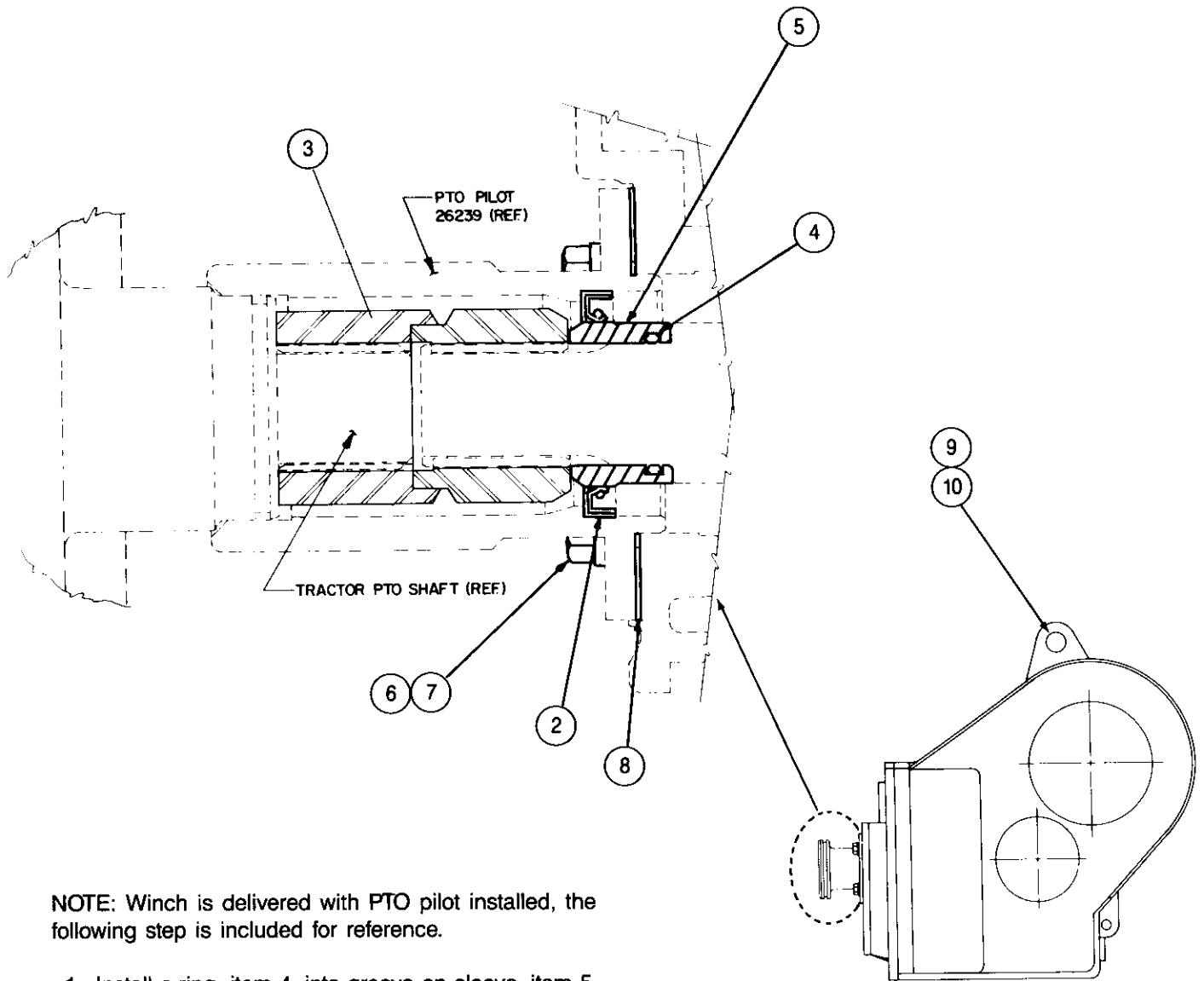
11. Install capscrews, item 12, and washers, item 8, into remaining mounting holes and fasten. Coat threads with Loc-tite and torque to 265 lb•ft (359 N•m).
12. Install guard, item 13, and spacers, item 14, to bottom side of winch, as shown. Fasten with capscrews, item 15, and washers, item 16. Coat threads with Loc-tite 242 and torque to 265 lb•ft (359 N•m).

**⚠ CAUTION**

Fill winch to proper level with recommended oil BEFORE starting tractor. Bearing and gear damage may result if tractor or winch is run without oil.

14. NOTE: If drawbar kit is to be used, discard spacers, item 14, and four capscrews from drawbar kit. Sandwich drawbar between winch and guard, item 13, and fasten with capscrews, item 15, and two remaining capscrews from drawbar kit. Coat threads with Loc-tite 242 and torque to 350 lb•ft (475 N•m).

**MODEL 30B PS  
MOUNTING GROUP  
J. I. CASE 450, 550, 650, 850**

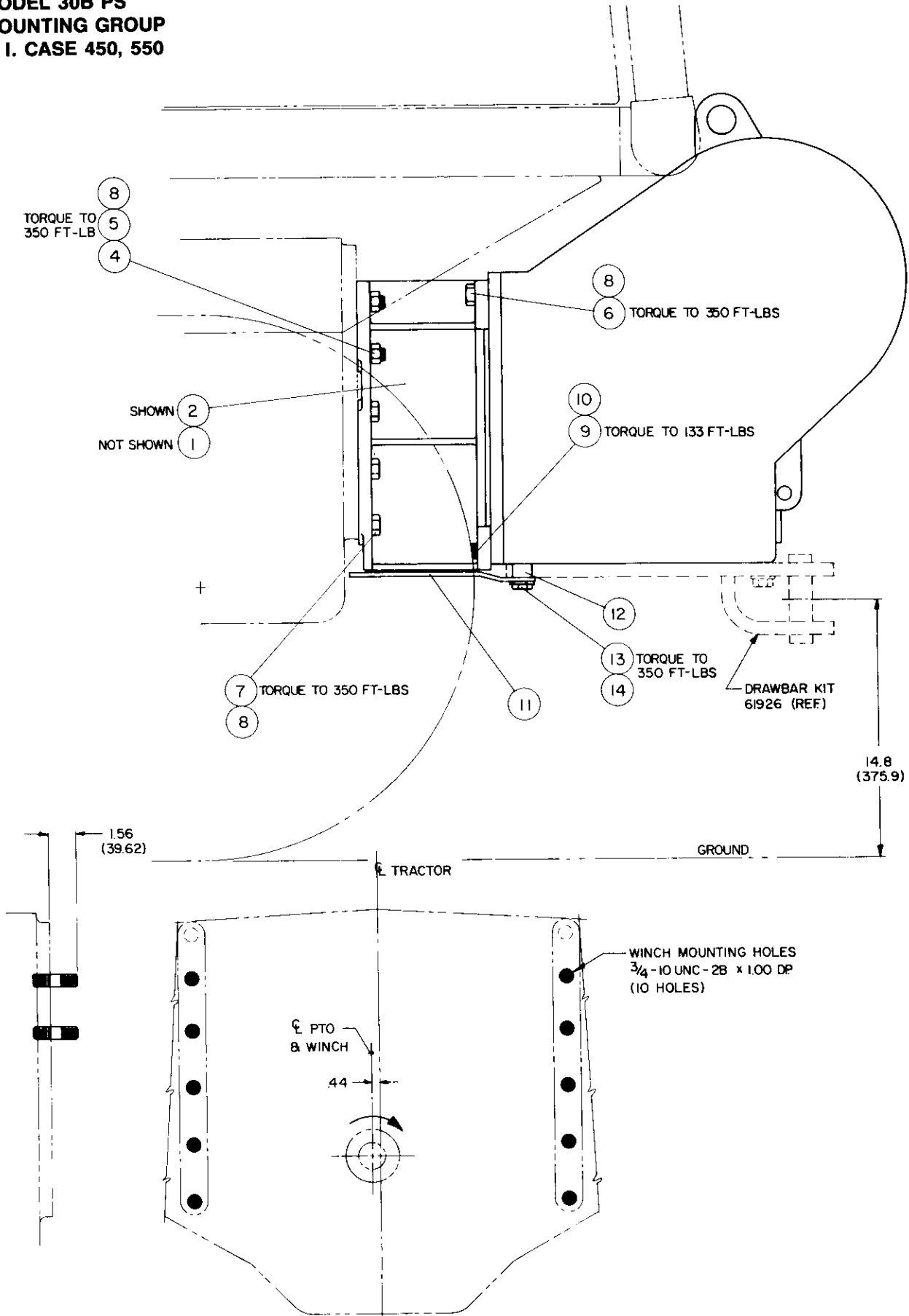


NOTE: Winch is delivered with PTO pilot installed, the following step is included for reference.

1. Install o-ring, item 4, into groove on sleeve, item 5. Install sleeve onto shaft. Install seal, item 2, into PTO pilot. Install PTO pilot onto winch with gasket, item 8. Install cap screws and lockwashers, items 5 and 6, with Loc-tite 242 and torque to 75 lb•ft (102 N•m).

ITEM	PART NO.	DESCRIPTION	QTY.
2	26202	SEAL	1
3	26248	COUPLING	1
4	13838	O-RING	1
5	26128	SLEEVE	1
6	13938	CAPSCREW (½ - 13 × 1¼ GR5)	4
7	11026	LOCKWASHER (½)	4
8	26169	GASKET	1
9	26404	CABLE GUARD PIN	1
10	31948	COTTER PIN	2

**MODEL 30B PS  
MOUNTING GROUP  
J. I. CASE 450, 550**



VIEW LOOKING AT REAR TRACTOR MOUNTING FACE..



**INSTRUCTIONS**

1. PTO rotation is CW as viewed from the rear of the tractor.
2. Remove the tractor PTO shaft cover.
3. Remove paint, dirt, rust, etc. from mounting surfaces of tractor rear face, winch spacers and winch.
4. Install mounting brackets, items 1 and 2, to winch with capscrews, items 6 and 9, and washers, items 8 and 10. Coat threads with Loc-tite 242 and torque as follows:  
Hex Head  $\frac{3}{4}$  NC  $\times$  2 $\frac{1}{2}$  G8 . 265 lb•ft (359 N•m)  
12 pt.  $\frac{1}{2}$  N  $\times$  2 $\frac{1}{4}$  G8 . . . . . 75 lb•ft (102 N•m)
5. Install coupling, item 3, onto winch shaft. Coat splines with multipurpose grease before installation.
6. Coat threads with Loc-tite 242 and install studs, item 4, to projection shown.
7. Install winch onto studs and fasten with nuts, item 5, and washers, item 8. It may be necessary to "bump" tractor starter to properly align tractor shaft splines with coupling. Coat threads with Loc-tite 242 and torque to 265 lb•ft (359 N•m).
8. Install capscrews, item 7, and washers, item 8, into remaining mounting holes and fasten. Coat threads with Loc-tite 242 and torque to 265 lb•ft (359 N•m).
9. Install guard, item 11, and spacers, item 12, to bottom side of winch as shown. Fasten with capscrews, item 13, and washers, item 14. Coat threads with Loc-tite 242 and torque to 265 lb•ft (359 N•m).

**⚠ WARNING**

**Winch weighs approximately 1,000 lb (454 kg) without oil, cable or tractor adapters. Make certain lifting equipment has adequate capacity. Failure to use adequate lifting equipment may result in property damage, personal injury or death.**

**⚠ CAUTION**

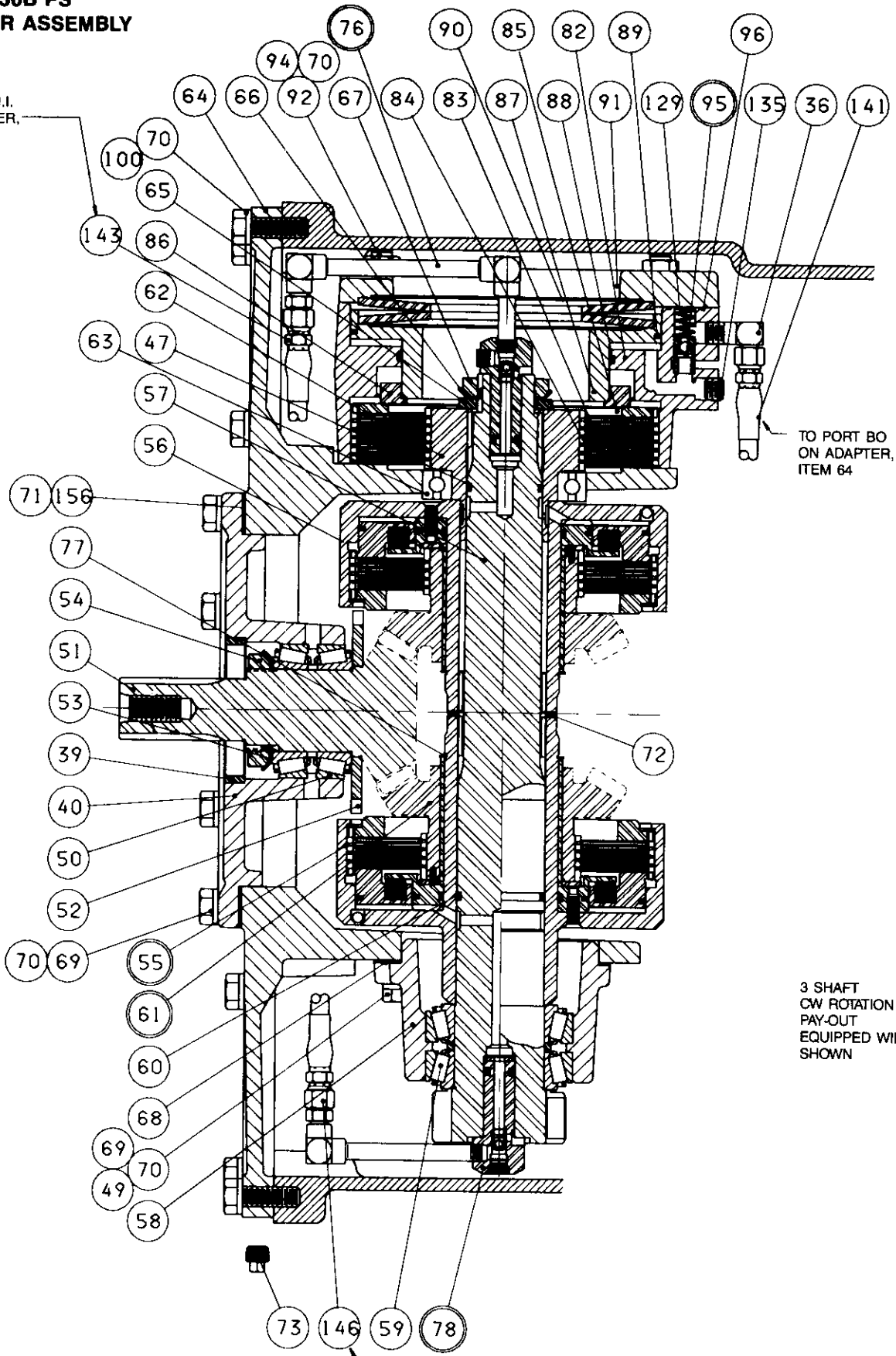
**Fill winch to proper level with recommended oil BEFORE starting tractor. Bearing and gear damage may result if tractor or winch is run without oil.**

10. NOTE: If drawbar kit is to be used, discard spacers, item 12, and four capscrews from drawbar kit. Sandwich drawbar between winch and guard, item 11, and fasten with capscrews, item 13, and two remaining capscrews from drawbar kit. Coat threads with Loc-tite 242 and torque to 350 lb•ft.

ITEM	PART NO.	DESCRIPTION	QTY.
1	26237	MOUNTING BRACKET, RH	1
2	26238	MOUNTING BRACKET, LH	1
3	26248	COUPLING	1
4	26252	STUD	4
5	13444	HEX NUT ( $\frac{3}{4}$ NC)	4
6	78453	CAPSCREW, HEX HEAD ( $\frac{3}{4}$ NC $\times$ 2 $\frac{1}{2}$ G8)	4
7	31033	CAPSCREW, HEX HEAD ( $\frac{3}{4}$ NC $\times$ 1 $\frac{3}{4}$ G8)	6
8	13824	FLATWASHER ( $\frac{3}{4}$ , SAE TYPE A NARROW)	14
9	27247	CAPSCREW, 12 PT. ( $\frac{1}{2}$ NC $\times$ 2 $\frac{1}{2}$ G8)	4
10	27248	HARDENED FLATWASHER	4
11	27239	LOWER GUARD	1
12	27240	SPACER	4
13	70691	CAPSCREW, HEX HEAD ( $\frac{3}{4}$ NC $\times$ 2 G8)	4
14	13435	LOCKWASHER ( $\frac{3}{4}$ )	4

**MODEL 30B PS  
ADAPTER ASSEMBLY**

TO PORT H.I.  
ON ADAPTER,  
ITEM 64



TO PORT B.O.  
ON ADAPTER,  
ITEM 64

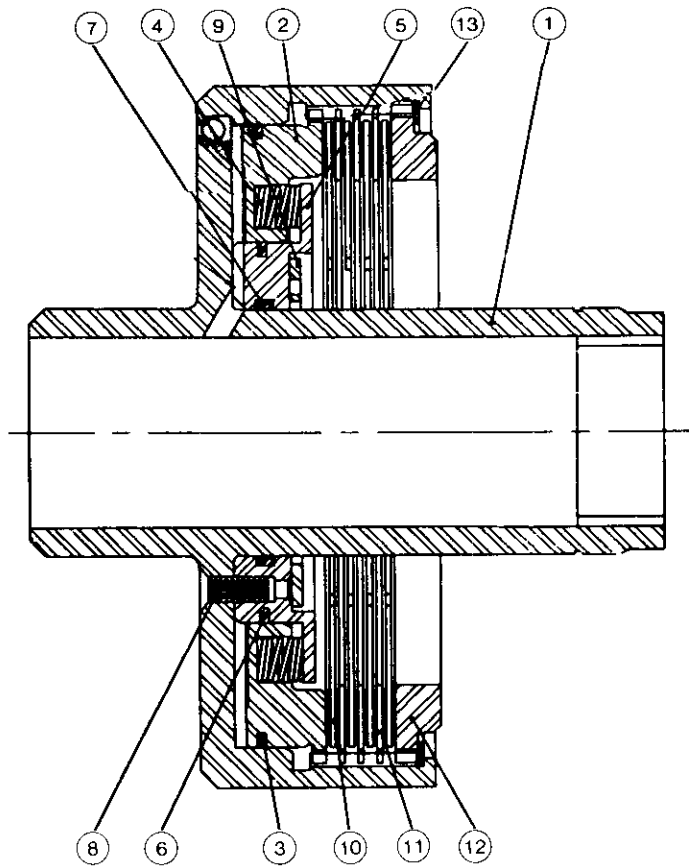
3 SHAFT  
CW ROTATION  
PAY-OUT  
EQUIPPED WINCH  
SHOWN

TO PORT P.O.  
ON ADAPTER,  
ITEM 64

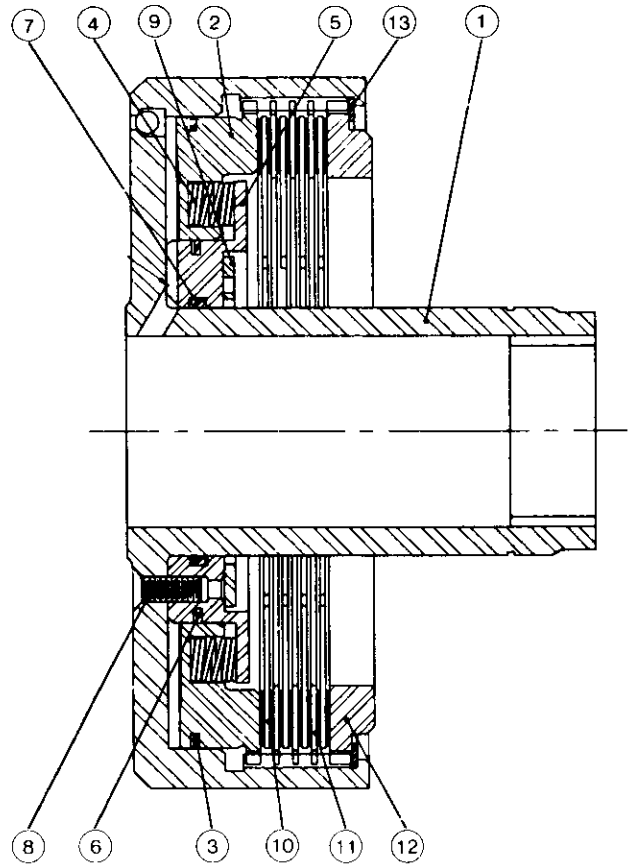
**MODEL 30B PS  
ADAPTER ASSEMBLY**

ITEM	PART NUMBER	DESCRIPTION	QTY.
36	31342	ELBOW	1
39	27882	PILOT RING	1
40	27881	PTO CARRIER	1
47	13838	O-RING	1
49	13938	CAPSCREW	1
50	30952	BEARING CUP	4
	30953	BEARING CONE	2
51	26156	BEVEL PINION (STD. SPEED, C RATIO) 22T	2
	26161	BEVEL PINION (B RATIO) 26T	1
	26158	BEVEL PINION (D RATIO) 18T	1
	26160	BEVEL PINION (E RATIO) 14T	1
52	69947	PUMP PINION	1
53	26220	BEARING LOCKWASHER	1
54	22336	BEARING LOCKNUT	1
55	81778	CLUTCH ASSEMBLY (PAY-OUT) (FOR WINCHES WITH PAY-OUT) (SEE PAGE 8)	1
	26061	SPACER (FOR WINCHES WITHOUT PAY-OUT)	1
56	81779	CLUTCH ASSEMBLY (HAUL-IN) (SEE PAGE 8)	1
57	27894	CLUTCH SHAFT	1
58	27544	CLUTCH CARRIER	1
59	70080	BEARING CUP	2
	70081	BEARING CONE	2
	27626	SPACER	1
60	72101	O-RING	1
61	81783	BEVEL GEAR (STD. SPEED, C RATIO) 36T	*
	81784	BEVEL GEAR (B RATIO) 33T	*
	81780	BEVEL GEAR (D RATIO) 38T	*
	81782	BEVEL GEAR (E RATIO) 39T	*
*NOTE: For items 61, 61A, 61B and 77 — 2 each required for pay-out equipped winches. For haul-in only winches — 1 each on brake side of shaft.			
61A	75297	PIN (SUPPLIED WITH ITEM 61)	*
61B	26118	BUSHING (SUPPLIED WITH ITEM 61)	*
62	27897	BRAKE HUB	1
63	26122	BEARING	1
64	26048	ADAPTER	1
65	27899	WASHER	1
66	26219	BEARING LOCKWASHER	1
67	31073	BEARING NUT	1
68	26173	CLUTCH CARRIER SHIM SET	1
69	13938	CAPSCREW (1/2 NC x 1/4, HEX GD5)	10
70	11026	LOCKWASHER (1/2)	20
71	26172	PTO CARRIER SHIM SET	1
72	26168	SPACER/SHIM SET	1
73	19034	PLUG	1
76	82059	TUBE ASSEMBLY (SEE PAGE 15 FOR DETAIL BREAKDOWN)	1
77	26596	SNAP RING	*
78	81824	TUBE ASSEMBLY (PAY-OUT ONLY) (SEE PAGE 15 FOR DETAIL BREAKDOWN)	1
82	26052	BRAKE HOUSING	1
83	70636	FRICTION DISC	6
84	69699	WAVED DISC	6
85	70293	PRESSURE PLATE	1
86	26059	BRAKE SPACER	1
87	26054	BRAKE PISTON	1
88	10330	O-RING	1
89	26102	LATHE CUT RING	1
90	70255	BRAKE SPRING	2
91	26053	BRAKE COVER HOUSING	1
92	26167	STUD	4
94	26145	NUT, HEX (1/2-13 GD8)	4
95	81765	SPOOL ASSEMBLY	1
96	22454	O-RING	1
100	13413	CAPSCREW (1/2 NC x 1/2 HEX GD5)	6
129	26329	SPRING	1
135	70120	PLUG	1
141	26414	HOSE ASSEMBLY	1
143	26415	HOSE ASSEMBLY	1
146	26414	HOSE ASSEMBLY (PAY-OUT ONLY)	1
156	26341	PTO CARRIER GASKET	1

**MODEL 30B PS  
CLUTCH ASSEMBLY**



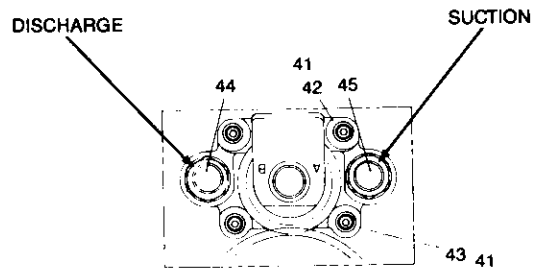
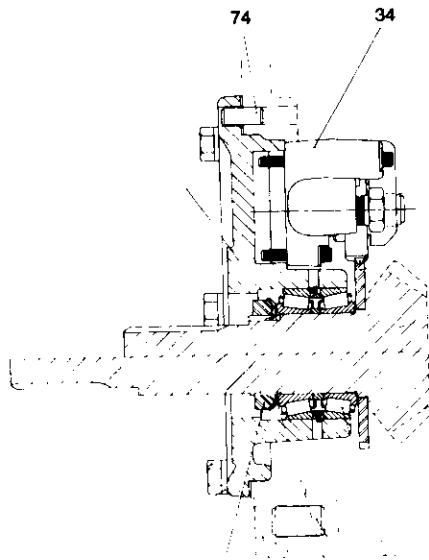
81778  
ASSEMBLY



81779  
ASSEMBLY

ITEM	PART NO.	DESCRIPTION	QTY.
1	26062	CLUTCH HOUSING (81778 ASSEMBLY)	1
1	26063	CLUTCH HOUSING (81779 ASSEMBLY) (PAY-OUT ONLY)	1
2	26065	CLUTCH PISTON	1
3	26103	LATHE CUT RING	1
4	26137	SPRING	8
5	26554	CLUTCH PILOT	1
6	26104	LATHE CUT RING	1
7	72103	O-RING	1
8	21333	CAPSCREW	3
9	26117	THRUST WASHER	1
10	70636	FRICTION DISC	4
11	69699	WAVED DISC	3
12	26755	PRESSURE PLATE	1
13	26147	RETAINING RING	1

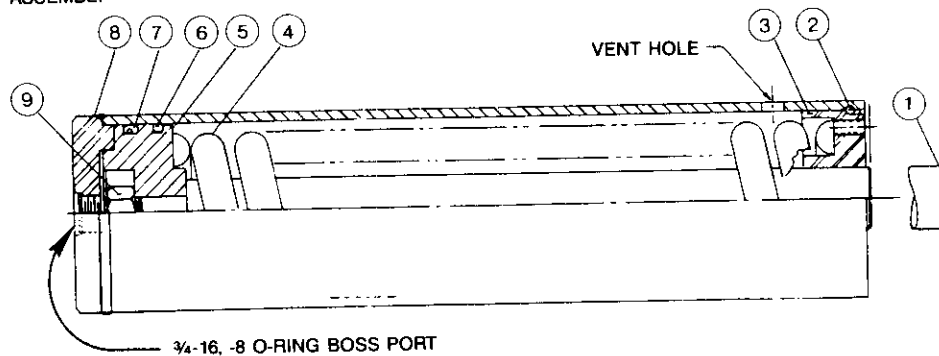
**MODEL 30B PS  
PUMP & ACCUMULATOR**



97

ITEM	PART NO.	DESCRIPTION	QTY.
34	68772	PUMP	1
41	11015	LOCKWASHER (1/4)	1
42	25866	CAPSCREW (1/4 NC x 3 GD8, HEX SOCKET)	2
43	75231	CAPSCREW (1/4 NC x 1 1/2 GD8, HEX SOCKET)	2
44	26403	45° ELBOW	1
45	26240	MALE CONNECTOR	1
74	10318	DOWEL PIN	1
97	26667	DOWEL PIN	2

ACCUMULATOR  
ASSEMBLY



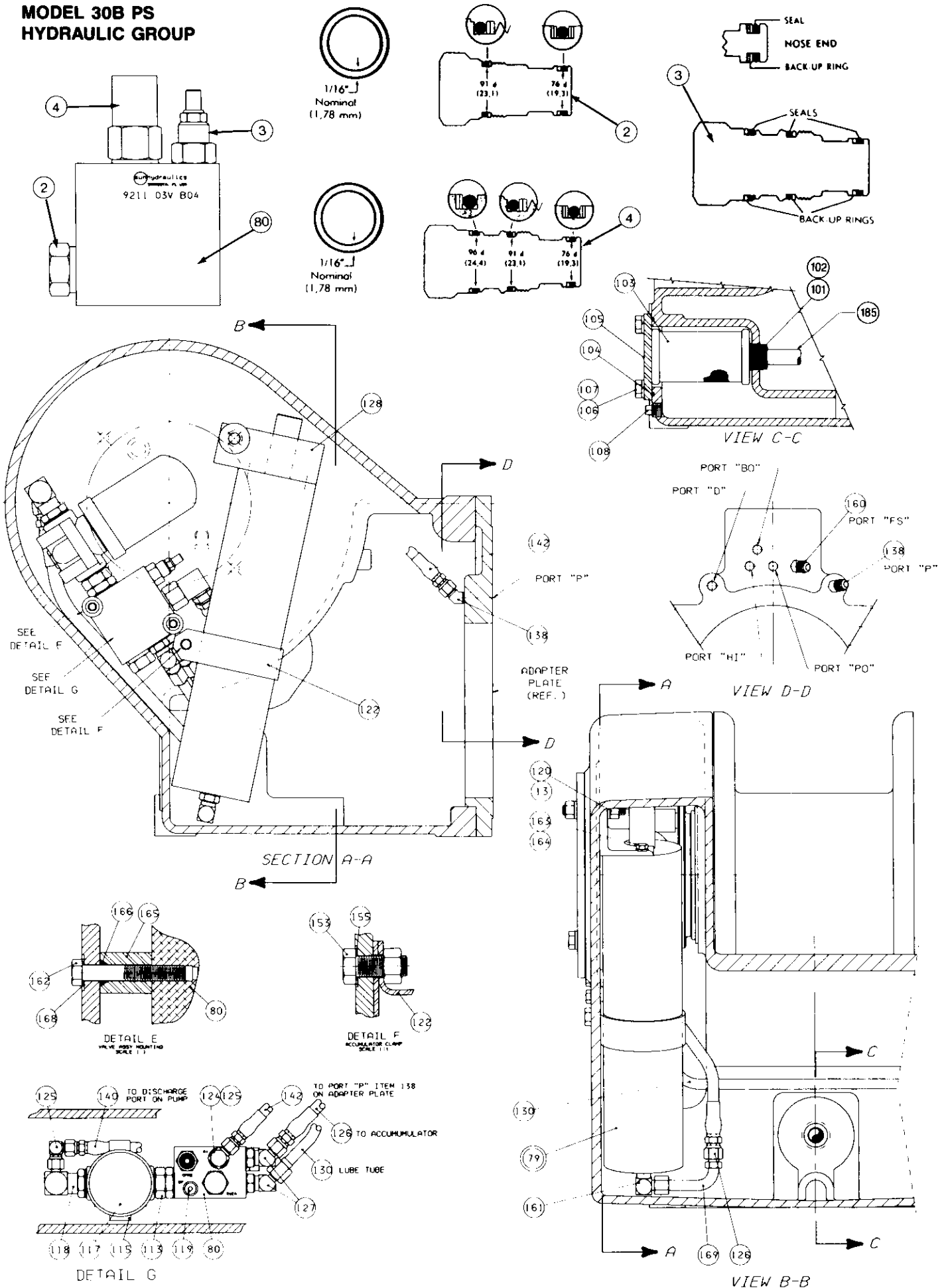
**⚠ WARNING**

**2,000 LB. (900 Kg) SPRING  
PRELOAD—USE PRESS  
FOR DISASSEMBLY PER  
SERVICE INSTRUCTIONS  
IN SERVICE BULLETIN 95.  
PROPERTY DAMAGE,  
SEVERE PERSONAL  
INJURY OR DEATH MAY  
RESULT IF ROD GUIDE  
REMOVAL IS ATTEMPTED  
WITHOUT A PRESS.**

ITEM	PART NO.	DESCRIPTION	QTY.
1	NSS	ROD	1
2	27836	RETAINING RING	1
3	NSS	ROD GUIDE	1
4	NSS	SPRING	1
5	NSS	PISTON	1
6	27833	CAST IRON PISTON RING	1
7	27832	SEAL ASSEMBLY	1
8	NSS	TUBE ASSEMBLY	1
9	NSS	NUT	1
—	62131	SEAL KIT (CONTAINS ITEMS 2, 6 & 7)	

NSS — Not Serviced Separately

**MODEL 30B PS  
HYDRAULIC GROUP**



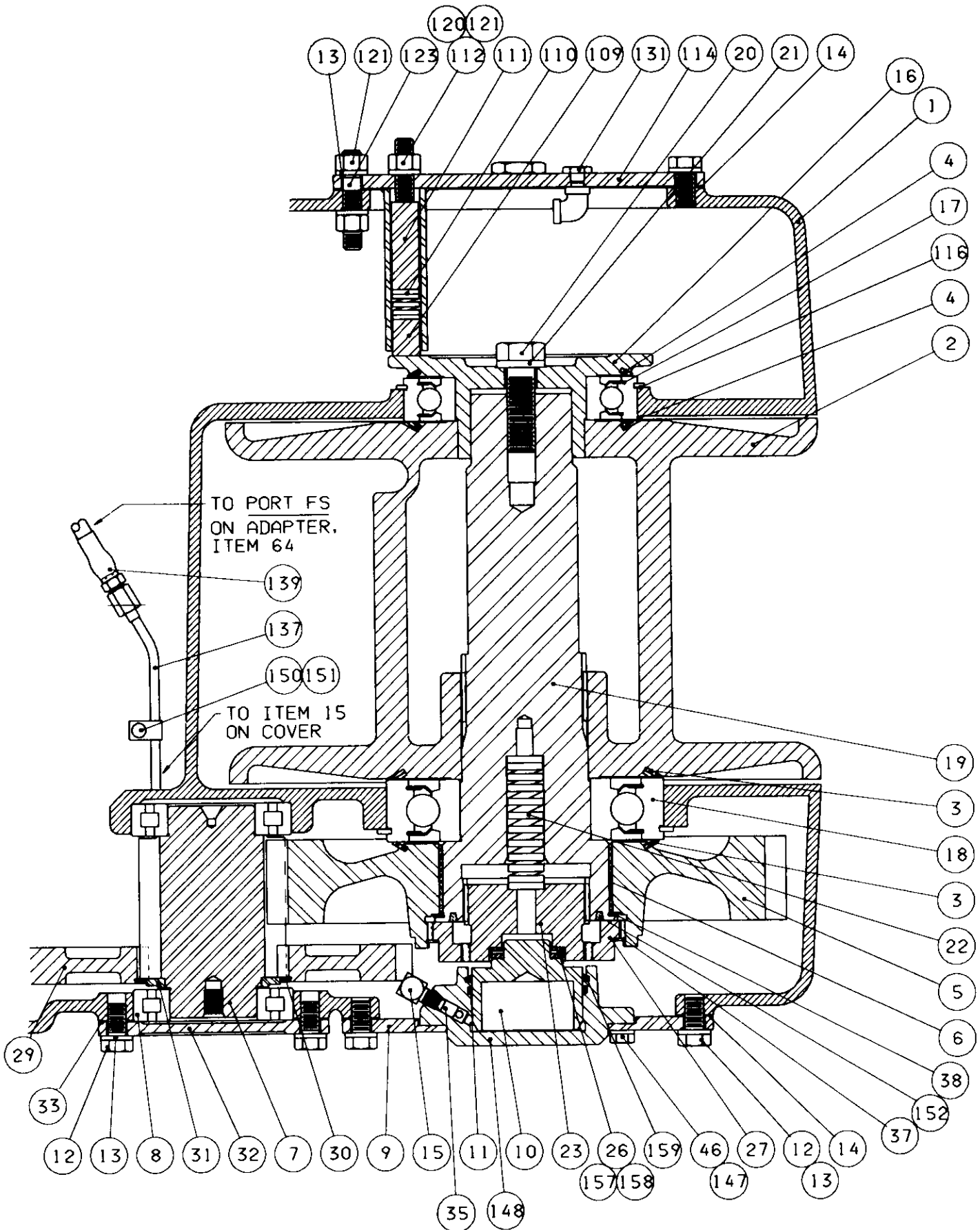
**MODEL 30B PS  
HYDRAULIC GROUP**

ITEM	PART NO.	DESCRIPTION	QTY.
80	29646	UNLOADING VALVE ASSEMBLY	1
2	40165	CHECK VALVE	1
	29873	CHECK VALVE SEAL KIT	1
3	40166	UNLOADING VALVE CARTRIDGE	1
	29874	UNLOADING VALVE CARTRIDGE SEAL KIT	1
4	40167	RELIEF VALVE	1
	29872	RELIEF VALVE SEAL KIT	

NOTE: Seal kits contain 2 sets of o-rings and back-up rings. Use 1/16 in. (1.59 mm) o-rings and back-up rings.

ITEM	PART NO.	DESCRIPTION	QTY.
79	81959	ACCUMULATOR ASSEMBLY (REFER TO PAGE 9)	1
80	29646	UNLOADING VALVE	1
101	26164	NIPPLE	1
102	24429	O-RING	1
103	70189	STRAINER	1
104	21283	O-RING	1
105	26174	STRAINER COVER	1
106	22697	CAPSCREW (1/2 NC x 1 GD5, HEX)	4
107	11026	LOCKWASHER (1/2)	4
108	23095	PLUG	2
113	29650	UNION	1
115	29644	FILTER HEAD	1
117	29645	FILTER	1
118	29647	90° ELBOW	1
119	69325	PLUG	1
120	23583	NUT (1/2 NC)	2
122	29649	ACCUMULATOR BRACKET	1
124	31286	ADAPTER	1
125	31426	90° UNION	2
126	29823	HOSE ASSEMBLY	1
127	69605	ELBOW	2
128	28809	ACCUMULATOR MOUNTING ANGLE	1
130	29651	LUBE TUBE	1
138	31334	45° ELBOW	1
140	29648	34 IN. HOSE ASSEMBLY	1
142	29657	23 IN. HOSE ASSEMBLY	1
153	13938	CAPSCREW (1/2 NC x 1 1/4 GD5, HEX)	
155	72144	SEALING WASHER	1
160	31333	45° ELBOW	1
161	70109	90° ELBOW	1
162	11778	CAPSCREW (3/8 NC x 2 1/2 GD5, HEX)	2
163	11776	CAPSCREW (5/16 NC x 78 GD5, HEX)	2
164	11024	LOCKWASHER (5/16)	2
165	29652	STANDOFF SPACER	2
166	25948	O-RING	2
168	72142	SEALING WASHER	2
169	29817	ELBOW	1
185	26232	SUCTION TUBE	1

**MODEL 30B PS  
DRUM GROUP**



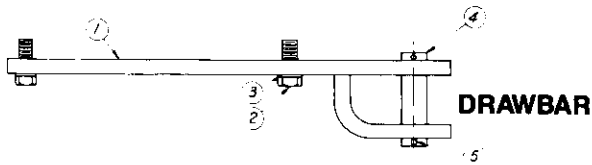


**MODEL 30B PS  
DRUM GROUP**

ITEM	PART NO.	DESCRIPTION	QTY.
1	27546	WINCH HOUSING	1
2	27520	CABLE DRUM	1
3	26100	LATHE CUT RING	2
4	26101	LATHE CUT RING	2
5	27489	BULL GEAR	1
6	27400	BUSHING	1
7	26779	INTERMEDIATE GEAR	1
8	26116	ROLLER BEARING	2
9	27379	GEAR SIDE COVER PLATE	1
10	27378	FREESPOOL PISTON	1
11	69858	O-RING	1
12	22697	CAPSCREW (1/2 NC x 1 GD5, HEX)	11
13	11073	WASHER (1/2 IN.)	13
14	26171	COVER GASKET	2
15	21163	ELBOW	1
16	27755	DRAG BRAKE SPINDLE ADAPTER	1
17	26115	BALL BEARING W/SNAP RING	1
18	26114	BALL BEARING W/SNAP RING	1
19	26077	DRUM SHAFT	1
20	78453	CAPSCREW (3/4 NC x 2 1/2 GD8, HEX)	1
21	13435	LOCKWASHER (3/4 IN.)	1
22	27387	FREESPOOL SPRING	1
23	27715	SPOOL GEAR	1
26	24305	BEARING	1
27	27406	COLLAR GEAR	1
29	26777	REDUCTION GEAR	1
30	26775	SNAP RING	1
31	26776	SPACER	1
32	26109	COVER PLATE	1
33	26170	COVER GASKET	1
35	81913	DUMP VALVE SPOOL	1
37	27391	RETAINING RING	1
38	27401	THRUST WASHER	1
46	22693	CAPSCREW (3/8 NC x 3/4 GD5, HEX)	3
109	27321	DRAG BRAKE DISC	1
110	26139	SPRING	1
111	26162	SPACER BAR	1
112	26151	SET SCREW	1
114	29660	BRAKE SIDE COVER	1
116	27476	BRAKE BEARING SHIM	1
121	11788	NUT (1/2 NC, HEX)	3
123	28805	STUD	1
131	69777	BREATHER BENT	1
137	27326	FREESPOOL TUBE	1
139	26412	HOSE ASSEMBLY	1
147	72142	SEALING WASHER	1
148	27561	FREESPOOL CYLINDER	1
150	30990	CLIP	1
151	31218	SCREW	1
152	27550	FELT SEAL	1
157	24306	THRUST WASHER	1
158	73294	THRUST RACE	1
159	27420	ROD WIPER	1

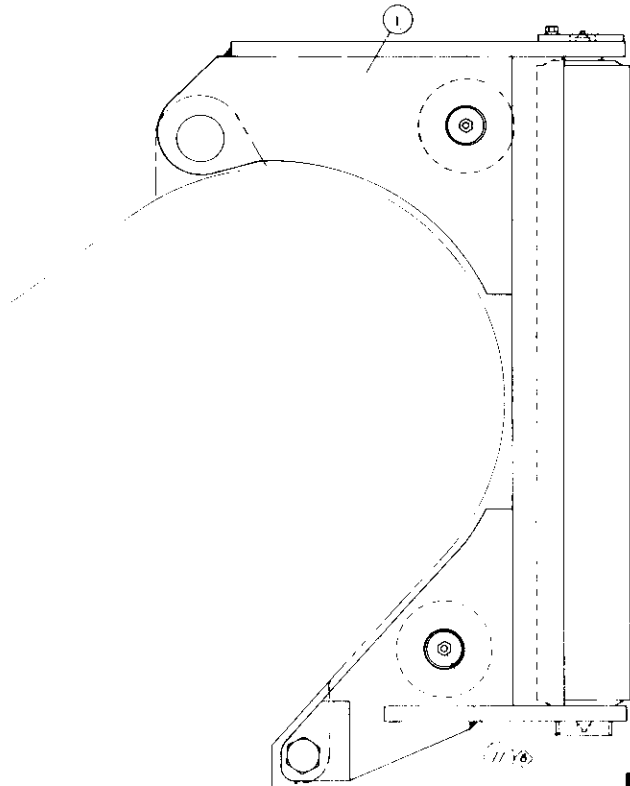
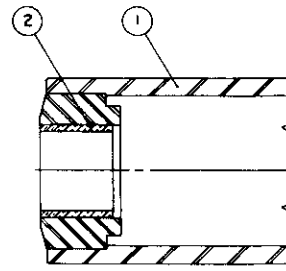
NOT SHOWN: Fill Plug P/N 70118

**MODEL 30 PS  
FAIRLEAD ASSEMBLY & DRAWBAR**

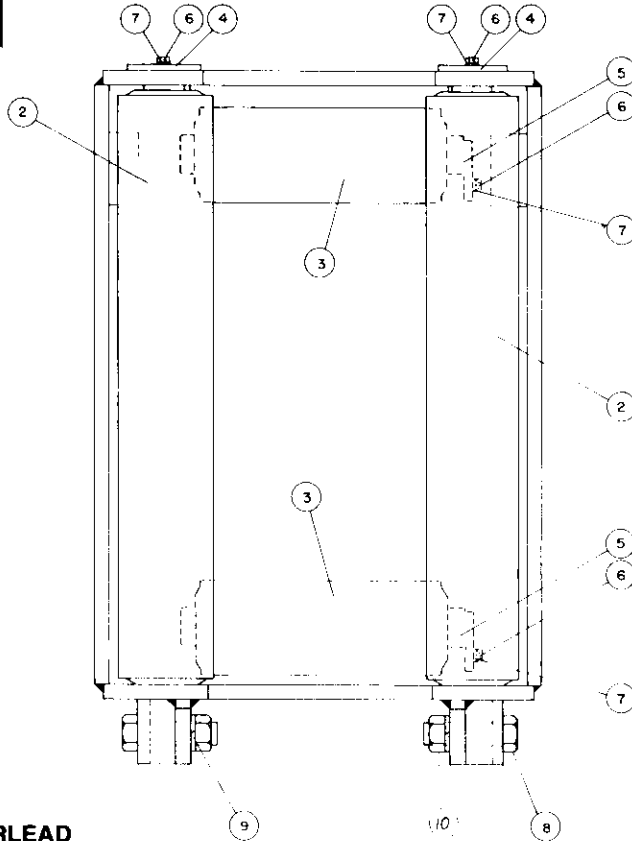


**DRAWBAR**

CLEAN TAPPED HOLES IN WINCH HOUSING BEFORE INSTALLING DRAWBAR. TORQUE CAPSCREWS TO 380 FT. LBS.



**FAIRLEAD**

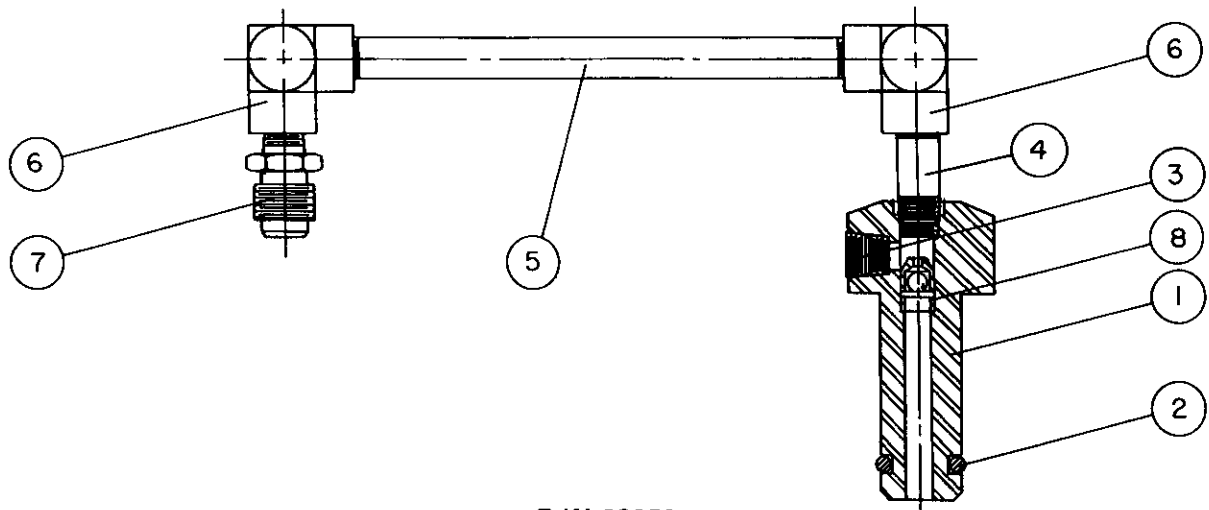


ITEM	PART NO.	DESCRIPTION	3-ROLLER QTY.	4-ROLLER QTY.
	81820	COMPLETE 4 ROLLER FAIRLEAD	—	1
	81821	COMPLETE 3 ROLLER FAIRLEAD	1	—
1	26665	FAIRLEAD BODY	1	1
2	81834	ROLLER ASSY. (LONG, INCLUDES BUSHINGS)	2	2
3	81836	ROLLER ASSY. (SHORT, INCLUDES BUSHINGS)	1	2
4	81840	ROLLER SHAFT (LONG)	2	2
5	81837	ROLLER SHAFT (SHORT)	1	2
6	21961	CAPSCREW (3/8-16 × 1 GR 5)	3	4
7	18003	LOCKWASHER (3/8)	3	4
8	72366	CAPSCREW (3/4-10 × 3/4)	2	2
9	13435	LOCKWASHER (3/4)	2	2
10	13444	HEX NUT (3/4-10)	2	2
11	18047	GREASE FITTING	6	8
12	77344	BUSHING	6	8

**DRAWBAR KIT - 61926 (INCLUDES ITEMS 1-5)**

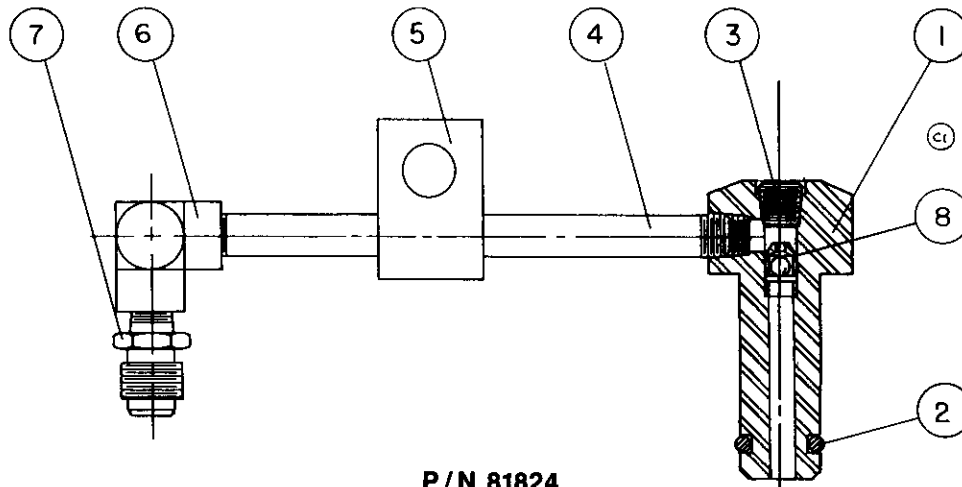
ITEM	PART NO.	DESCRIPTION	QTY.
1	27087	DRAWBAR	1
2	70691	CAPSCREW	6
3	13435	LOCKWASHER	6
4	27241	DRAWBAR PIN	1
5	27242	COTTER PIN	2

**MODEL 30B PS  
TUBE ASSEMBLIES**



**P / N 82059**

ITEM	PART NO.	DESCRIPTION	QTY.
1	26163	HYDRAULIC TUBE	1
2	26201	O-RING	1
3	22374	PIPE PLUG	1
4	27898	PIPE NIPPLE	1
5	26264	PIPE NIPPLE	1
6	24524	FEMALE PIPE ELBOW	1
7	75956	MALE CONNECTOR	1
8	81913	DUMP VALVE SPOOL	1



**P / N 81824**

ITEM	PART NO.	DESCRIPTION	QTY.
1	26163	HYDRAULIC TUBE	1
2	26201	O-RING	1
3	22374	PIPE PLUG	1
4	26264	PIPE NIPPLE	1
5	26427	GUIDE BLOCK	1
6	24524	FEMALE PIPE ELBOW	1
7	75956	MALE CONNECTOR	1
8	81913	DUMP VALVE SPOOL	1