

CARCO®

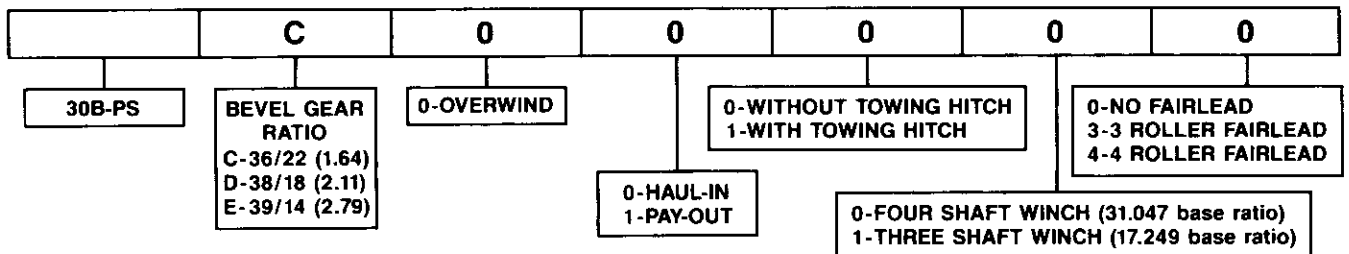
PARTS MANUAL MODEL 30B-PS WINCH FOR

KOMATSU D31 E, A, P, S -18 & -20 TRACTORS D37 E, P -2 & -5 TRACTORS

TABLE OF CONTENTS

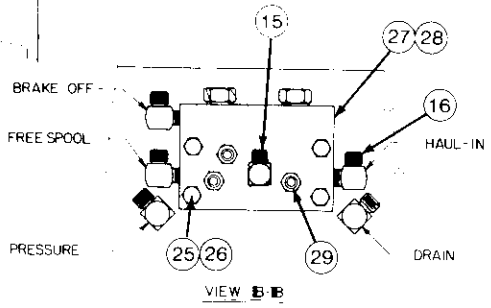
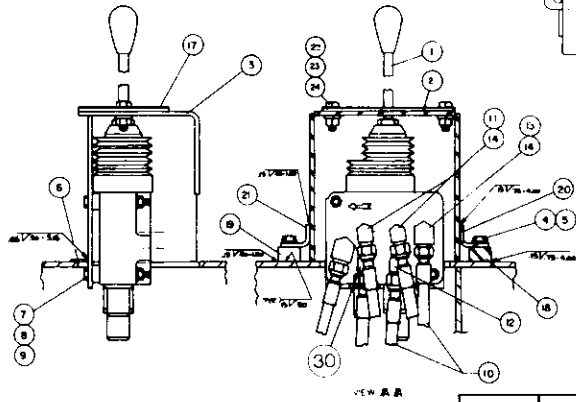
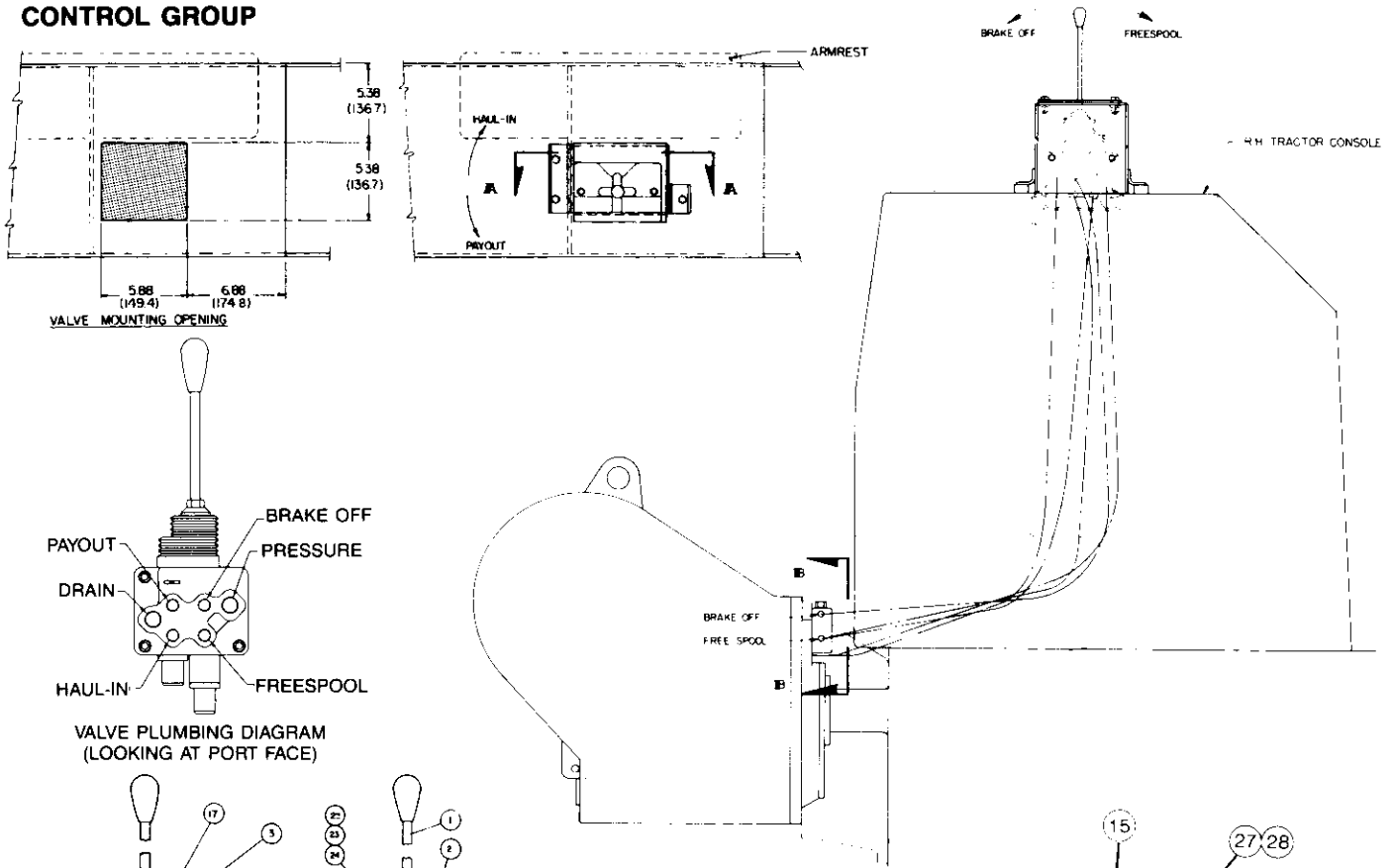
	PAGE
Hydraulic Control Group	2-3
Mounting Group	4
PTO Adapter Group	5
Adapter Assembly	6-7
Clutch Assembly	8
Pump and Accumulator	9
Hydraulic Group	10-11
Drum Group	12-13
Fairlead Assembly and Drawbar	14
Brake and Clutch Hydraulic Tube Assemblies	15

MODEL NUMBER DESCRIPTION



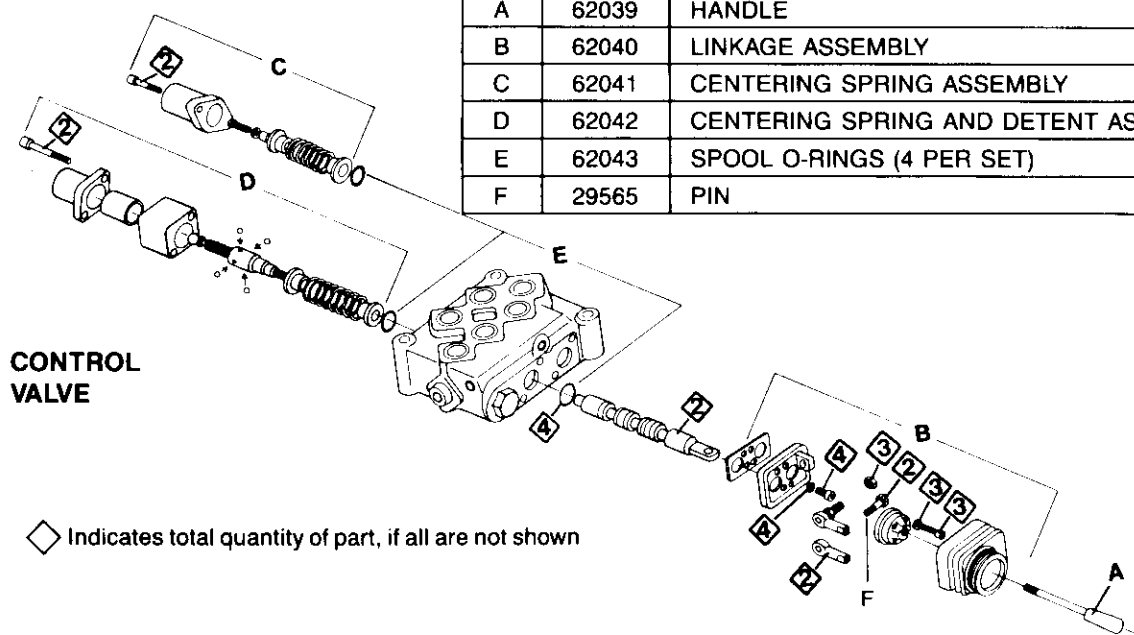
PACCAR WINCH DIVISIONS

MODEL 30B PS CONTROL GROUP



CONTROL VALVE

ITEM	PART NO.	DESCRIPTION	QTY.
1	26214	VALVE	1
A	62039	HANDLE	1
B	62040	LINKAGE ASSEMBLY	1
C	62041	CENTERING SPRING ASSEMBLY	1
D	62042	CENTERING SPRING AND DETENT ASSEMBLY	1
E	62043	SPOOL O-RINGS (4 PER SET)	1
F	29565	PIN	2



◇ Indicates total quantity of part, if all are not shown

**MODEL 30B PS
CONTROL GROUP**

CONTROL INSTALLATION INSTRUCTIONS

NOTE: These instructions are provided as a general guide. Tractor options, application requirements or local regulations may require deviation from these recommendations.

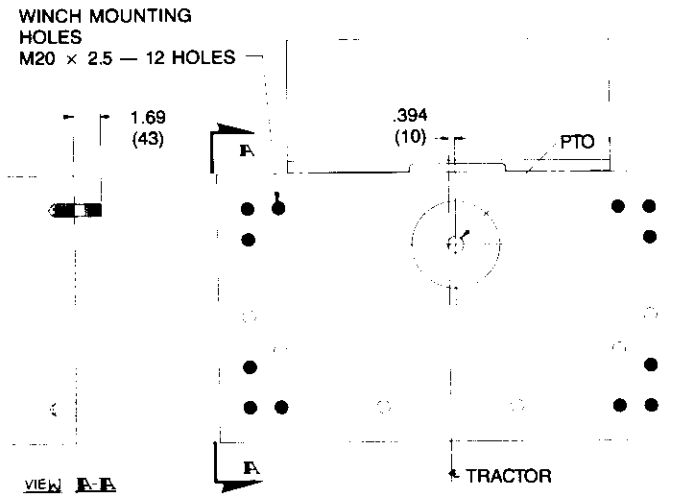
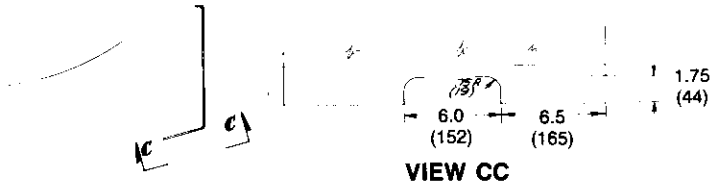
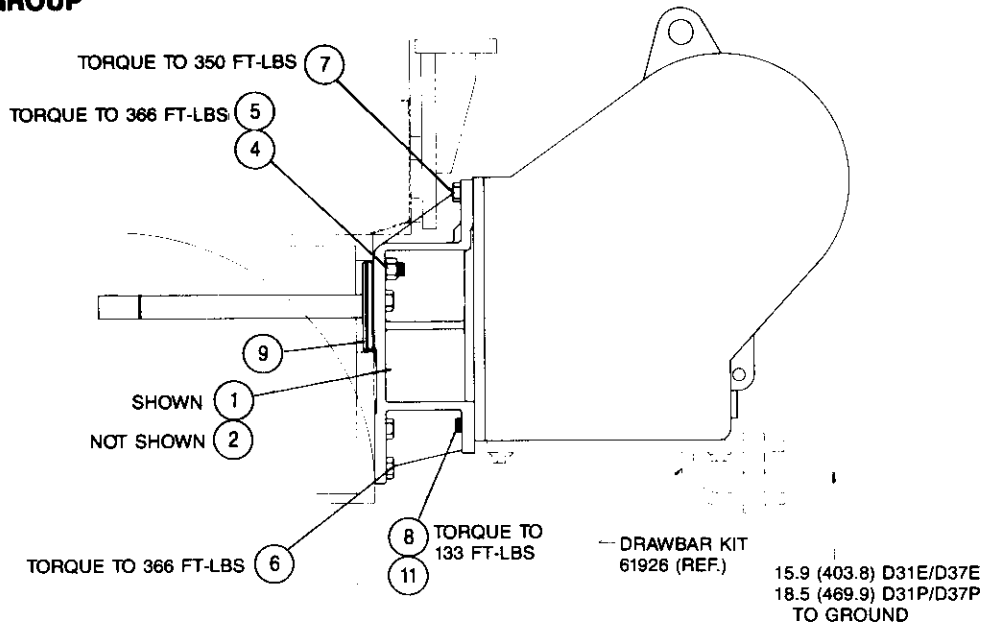
1. Modify tractor RH console as shown.
2. Attach hoses (6 with Payout, 5 without), item 10, to control valve, item 1, with adapters/elbows, items 11, 12, 13 and 14. See View A-A. (Note: On winches with Haul-In only, install a plug, Item 30, in the Payout port of the control valve. On winches with Payout, use an adapter and elbow, items 11 and 14, in the Payout port.)
3. Identify the loose end of each hose with the proper port location. See "Valve Plumbing Diagram" for port identification.
4. Carefully route hoses from tractor RH console through tractor rear face. Route hoses to clear back-up alarm, battery and other tractor control components.
5. Mount the control valve assembly to bracket, item 3, and locate in the console opening.

6. Fasten mounting angles, items 20 and 21, to mounting blocks, items 18 and 19, utilizing fasteners, items 4 and 5. Weld in place as shown.
7. Weld cover strip, item 6, to bracket as shown to conceal the remainder of the opening.
8. Attach gater plate, item 2, and control placard, item 17, to bracket using fasteners, items 22, 23 and 24.
9. Remove manifold, item 27, from winch. Take care to ensure O-rings behind manifold are not lost or damaged. Install elbows, item 16, into manifold. On winches with Payout, install elbow with orifice, item 15, into manifold as shown. See View B-B.
10. Install elbows, item 16, into Pressure and Drain ports in winch face. See View B-B.
11. Reinstall manifold to winch face using existing O-rings and fasteners. Take care to ensure the O-rings are not mis-located or damaged. Torque bolts to 31 lb-ft (42 N•m).
12. Attach hoses to manifold and winch port fittings.

Note that 90 elbow item 15, contains an orifice. Insure that it is installed in the correct location, as illustrated.

ITEM	DESCRIPTION	W/HAUL-IN ONLY		W/PAY-OUT	
		PART NO.	QTY.	PART NO.	QTY.
1	CONTROL VALVE	26214	1	26214	1
2	GATER PLATE	26409	1	26410	1
3	MOUNTING BRACKET	27233	1	27233	1
4	CAPSCREW (3/8 - 16 x 3/4 G5, HEX)	22693	3	22693	3
5	LOCKWASHER (3/8)	18003	3	18003	3
6	COVER STRIP	27234	1	27234	1
7	CAPSCREW (5/16 - 18 x 2 1/2 G5, HEX)	27150	3	27150	3
8	LOCKWASHER (5/16)	69640	3	69640	3
9	HEX NUT	69644	3	69644	3
10	HOSE ASSEMBLY	26892	5	26892	6
11	STRAIGHT ADAPTER, -6 JIC/-6 ORB	79099	1	79099	2
12	90° ELBOW, -6 JIC/-6 ORB	25856	2	25856	2
13	STRAIGHT ADAPTER, -6 JIC/-8 ORB	26891	2	26891	2
14	90° ELBOW, -6 JIC/-6 JIC SWIV.	31426	3	31426	4
15	90° ELBOW W/ORIFICE, -6 JIC/-4 PIPE	—	—	27746	1
16	90° ELBOW, -6 JIC/-4 PIPE	31342	5	31342	5
17	CONTROL PLACARD	26609	1	26605	1
18	MOUNTING BLOCK	27235	1	27235	1
19	MOUNTING BLOCK	27236	1	27236	1
20	MOUNTING ANGLE	27236	1	27237	1
21	MOUNTING ANGLE	27238	1	27238	1
22	CAPSCREW (3/8 - 16 x 1 G5, HEX)	27151	2	27151	2
23	LOCKWASHER (3/8)	27152	2	27152	2
24	HEX NUT (3/8)	27153	2	27153	2
25	CAPSCREW (3/8 - 16 x 2 G5, HEX)	22704	4	22704	4
26	WASHER (3/8)	13929	4	13929	4
27	MANIFOLD BLOCK	27517	1	27518	1
27A	SHUTTLE VALVE SEAL KIT	29874	2	29874	3
28	O-RING, MANIFOLD TO CASE	72097	3	72097	4
29	PLUG	70120	3	70120	3
30	PLUG	26686	1	—	—

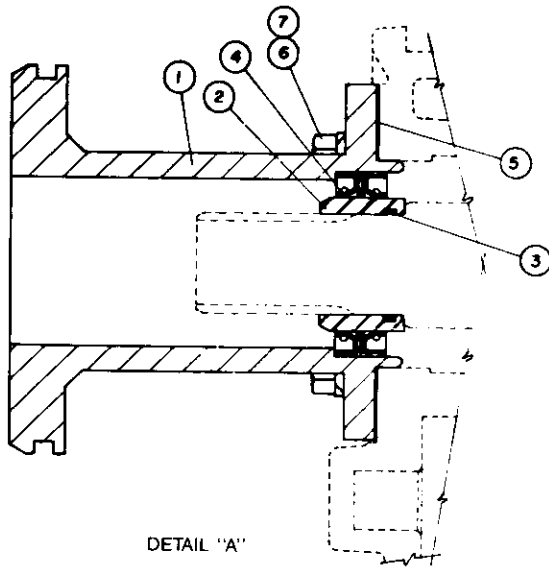
**MODEL 30 PS
MOUNTING GROUP**



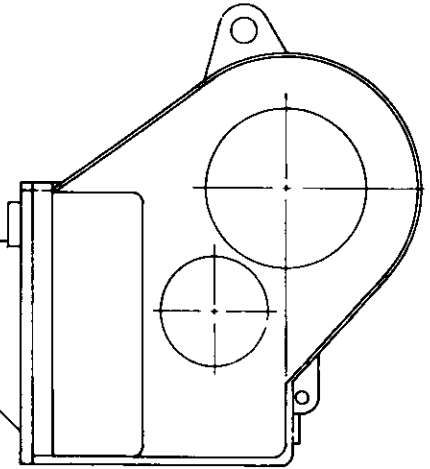
VIEW LOOKING AT TRACTOR REAR FACE

ITEM	PART NO.	DESCRIPTION	QTY.
1	26547	L.H. MOUNTING BRACKET	1
2	26548	R.H. MOUNTING BRACKET	1
3	26642	PTO SHAFT ASSEMBLY	1
4	26217	METRIC STUD (M20 x 2.5 x 82 mm, GD8)	4
5	32363	METRIC HEX NUT (M20 x 2.5)	4
6	26648	METRIC CAPSCREW (M20 x 2.5 x 50 mm, HEX HEAD)	8
7	70791	CAPSCREW (3/4 - 10 x 2 1/4, GD8, HEX HEAD)	4
8	27247	CAPSCREW (1/2 - 13 x 2 1/4, 12-PT)	4
9	24229	O-RING	1
10	70198	TRIM	AR
11	27248	HARDENED WASHER (1/2)	4

**MODEL 30 PS
PTO ADAPTER GROUP**



SEE DETAIL "A"



ITEM	PART NO.	DESCRIPTION	QTY.
1	26638	PTO PILOT	1
2	100029	SLEEVE	1
3	13838	O-RING	1
4	26202	SEAL	2
5	26169	PTO PILOT GASKET	1
6	13938	CAPSCREW, (1/2 - 13 x 1/4, GD5, HEX HEAD)	4
7	11073	WASHER (1/2)	4

INSTRUCTIONS

1. PTO rotation is counterclockwise (CCW) as viewed from the rear of tractor.
2. Remove paint, rust, dirt and grease from mounting surfaces of tractor, winch and mounting brackets.
3. Remove tractor rear transmission cover and cut a notch as shown (refer to view C-C). Install trim, item 10, to edge of notch.
4. Remove tractor PTO cover plate and plug threaded holes.
5. Utilizing Loc-tite 271, install studs, item 4, to projection shown in view A-A.
6. Attach mounting brackets, items 1 and 2, to winch with capscrews and washers, items 7, 8 and 11. Utilizing Loc-tite 271, torque 3/4" fasteners to 350 lb-ft (475 N•m) and 1/2" fasteners to 133 lb-ft (180 N•m).
7. Install o-ring, item 9, on winch PTO pilot; coat with multi-purpose grease.
8. Install PTO shaft, item 3, onto winch pinion. Coat splines at both ends of PTO shaft with multi-purpose grease before installation.
9. Using PTO shaft and PTO pilot to aid alignment, install winch onto studs. It may be necessary to "bump" the tractor starter to rotate tractor PTO to properly align splines between PTO shaft and tractor PTO drive. Install nuts and capscrews, items 5 and 6, with Loc-tite 271 and torque to 366 lb-ft (496 N•m).

⚠ CAUTION

Fill winch to proper level with recommended oil **BEFORE** starting tractor. Bearing and gear damage may result if tractor or winch is run without oil.

NOTES: Winch is delivered with PTO pilot installed, the following step is included for reference:

Early winches are equipped with one oil seal in the adapter group rather than the two seals illustrated above. This improvement can be retrofitted to by installing sleeve, item 2, and a second seal, item 4.

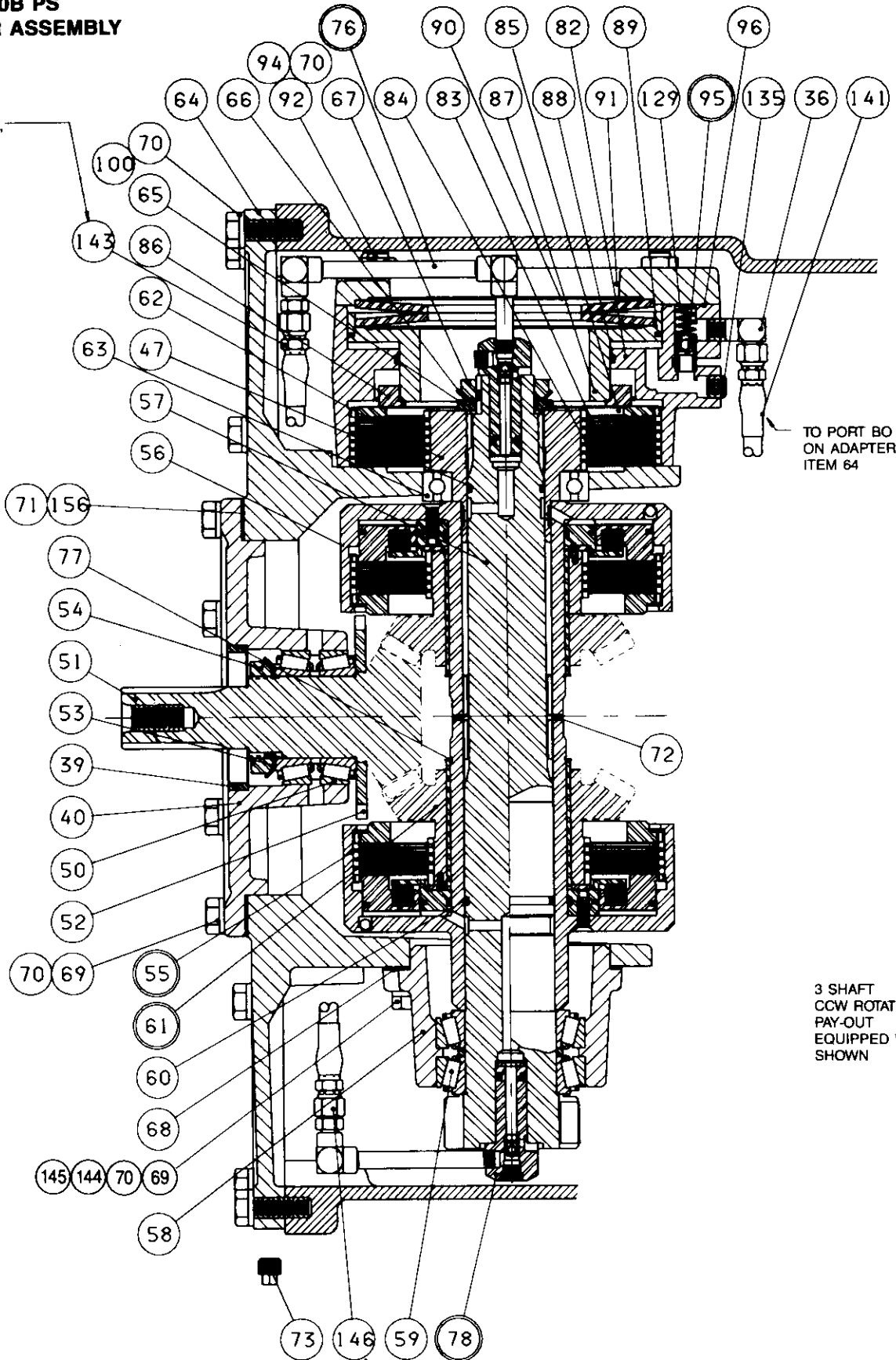
10. Install o-ring, item 3, into groove on sleeve, item 2. Install sleeve, item 2, on shaft. Install seals, item 4, into PTO pilot, item 1; insure that the seals are oriented as illustrated. Install PTO pilot onto winch with gasket, item 5. Install capscrews and lock-washers, items 6 and 7, and torque to 75 lb-ft (102 N•m).

⚠ WARNING

Winch weighs approximately 1000 lb (454 kg) without oil, cable or tractor adapters. Make certain lifting equipment has adequate capacity. Failure to use adequate lifting equipment may result in property damage, personal injury or death.

**MODEL 30B PS
ADAPTER ASSEMBLY**

TO PORT PO
ON ADAPTER,
ITEM 64



TO PORT BO
ON ADAPTER,
ITEM 64

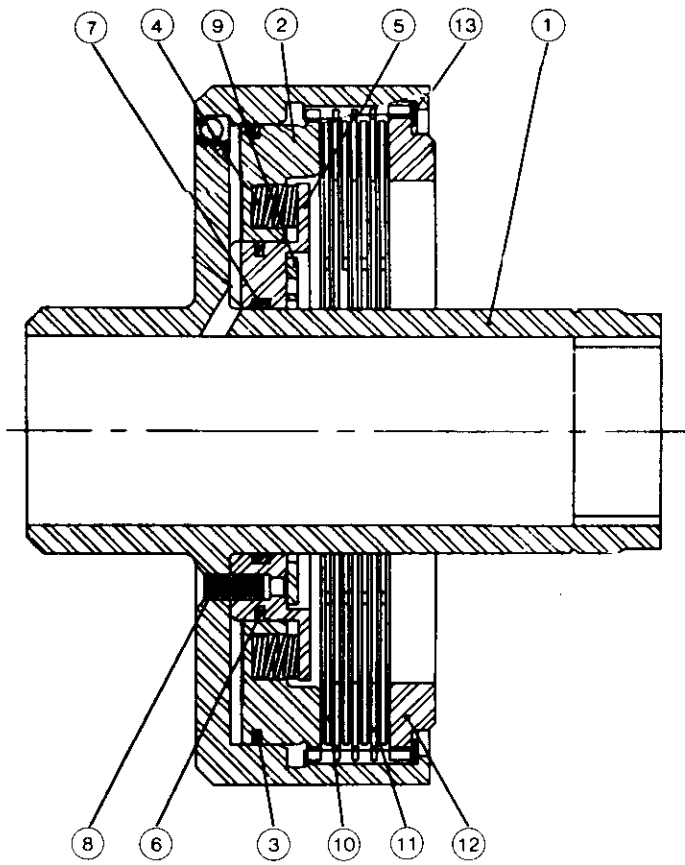
3 SHAFT
CCW ROTATION
PAY-OUT
EQUIPPED WINCH
SHOWN

TO PORT HI
ON ADAPTER,
ITEM 64

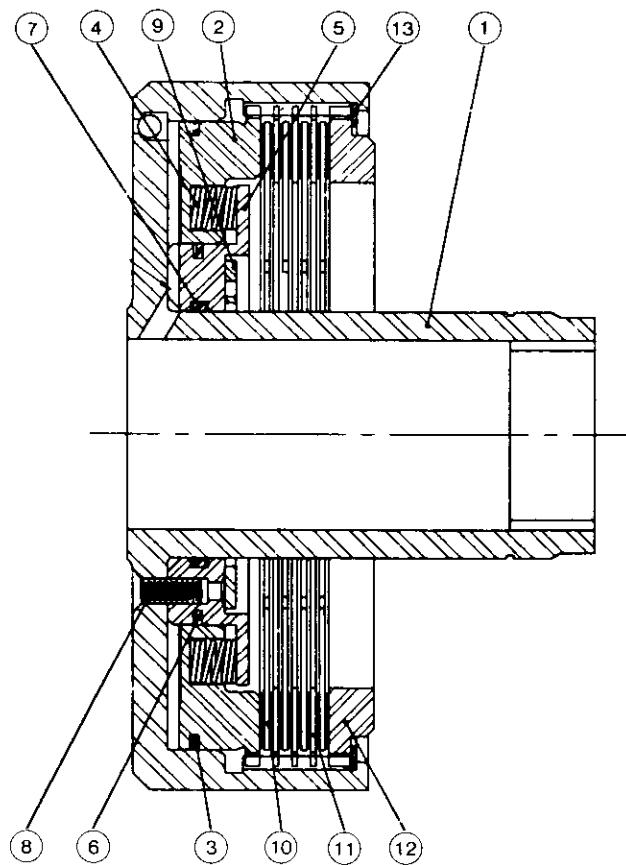
**MODEL 30B PS
ADAPTER ASSEMBLY
3-SHAFT STANDARD SPEED**

ITEM	PART NUMBER	DESCRIPTION	QTY.
36	31342	ELBOW	1
39	27882	PILOT RING	1
40	27881	PTO CARRIER	1
47	13838	O-RING	1
50	27893	BEARING CONE SPACER	1
	30952	BEARING CUP	2
	30953	BEARING CONE	2
51	26180	BEVEL PINION (E RATIO) 14T	1
52	69947	PUMP PINION	1
53	26220	BEARING LOCKWASHER	1
54	22366	BEARING LOCKNUT	1
55	81778	CLUTCH ASSEMBLY (HAUL-IN) (SEE PAGE 8)	1
56	81779	CLUTCH ASSEMBLY (PAY-OUT) (FOR WINCHES WITH PAY-OUT) (SEE PAGE 8)	1
—	26060	SPACER (FOR WINCHES WITHOUT PAY-OUT) (NOT SHOWN)	1
57	27894	CLUTCH SHAFT - 3-SHAFT (SEE PAGE 16 FOR 4-SHAFT WINCHES)	1
58	27554	CLUTCH CARRIER - 3-SHAFT (SEE PAGE 16 FOR 4-SHAFT WINCHES)	1
*NOTE: For items 61, 61A, 61B and 77 — 2 each required for pay-out equipped winches. For haul-in only winches — 1 each on gear side (opposite brake) of shaft.			
59	70080	BEARING CUP	2
	70081	BEARING CONE	2
	27626	SPACER	1
60	72101	O-RING	1
61	81782	BEVEL GEAR (E RATIO) 39T	*
61A	75297	PIN (SUPPLIED WITH ITEM 61)	*
61B	26118	BUSHING (SUPPLIED WITH ITEM 61)	*
62	27897	BRAKE HUB	1
63	26122	BEARING	1
64	26048	ADAPTER	1
65	27899	WASHER	1
66	26219	BEARING LOCKWASHER	1
67	31073	BEARING NUT	1
68	26173	CLUTCH CARRIER SHIM SET	1
69	13938	CAPSCREW (1/2 NC x 1/4, HEX GD5)	9
70	11026	LOCKWASHER (1/2)	20
71	26172	PTO CARRIER SHIM SET	1
72	26168	SPACER/SHIM SET	1
73	19034	PLUG	1
76	82059	TUBE ASSEMBLY (SEE PAGE 15 FOR DETAIL BREAKDOWN) (SEE PAGE 15 FOR 4-SHAFT WINCHES)	1
77	26596	SNAP RING	*
78	81824	TUBE ASSEMBLY (SEE PAGE 15 FOR DETAIL BREAKDOWN) (SEE PAGE 15 FOR 4-SHAFT WINCHES)	1
82	26052	BRAKE HOUSING	1
83	70636	FRICTION DISC	6
84	69699	WAVED DISC	6
85	70293	PRESSURE PLATE	1
86	26059	BRAKE SPACER	1
87	26054	BRAKE PISTON	1
88	10330	O-RING	1
89	26102	LATHE CUT RING	1
90	70255	BRAKE SPRING	2
91	26053	BRAKE COVER HOUSING	1
92	26167	STUD	4
94	26145	NUT, HEX (1/2-13 GD8)	4
95	81765	SPOOL ASSEMBLY	1
96	22454	O-RING	1
100	13413	CAPSCREW (1/2 NC x 1/2 HEX GD5)	6
129	26329	SPRING	1
135	70120	PLUG	1
141	26414	HOSE ASSEMBLY	1
143	26414	HOSE ASSEMBLY, BRAKE SIDE, 3-SHAFT (15 in., 381 mm)	AR
	26415	HOSE ASSEMBLY, BRAKE SIDE, 4-SHAFT (17 in., 432 mm)	AR
144	26425	STUD, HYDRAULIC TUBE SUPPORT	1
145	11788	NUT, HEX (1/2 - 13 GD 5)	1
146	26414	HOSE ASSEMBLY, GEAR SIDE, 4-SHAFT (15 in., 381 mm)	AR
	26415	HOSE ASSEMBLY, GEAR SIDE, 3 & 4 SHAFT (17 in., 432 mm)	AR
156	26341	PTO CARRIER GASKET	1

**MODEL 30B PS
CLUTCH ASSEMBLY**



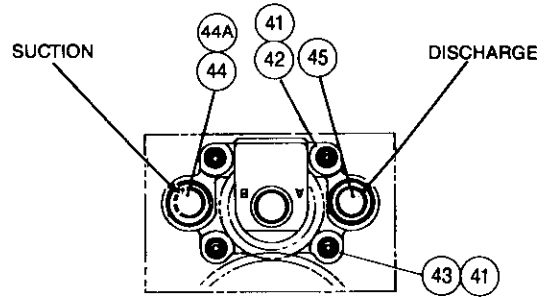
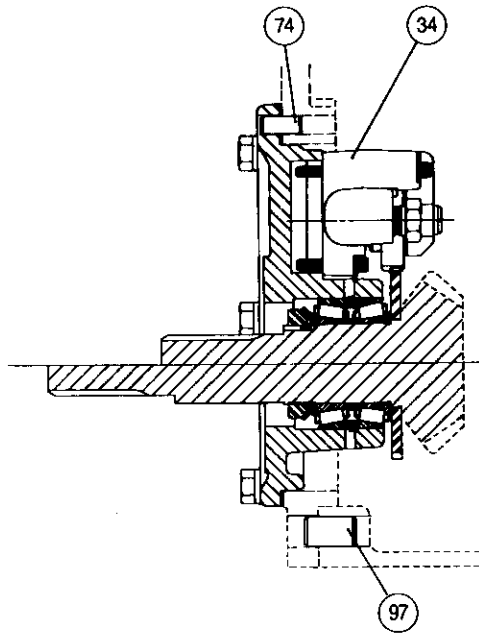
81778
ASSEMBLY



81779
ASSEMBLY

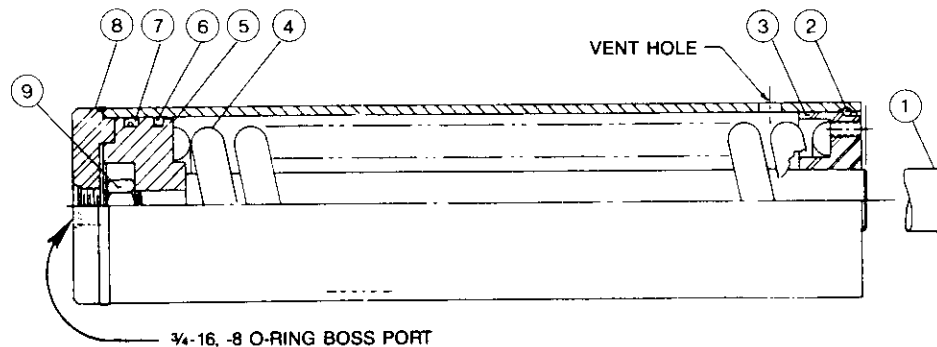
ITEM	PART NO.	DESCRIPTION	QTY.
1	26062	CLUTCH HOUSING (81778 ASSEMBLY)	1
	26063	CLUTCH HOUSING (81779 ASSEMBLY)	1
2	26065	CLUTCH PISTON	1
3	26103	LATHE CUT RING	1
4	26137	SPRING	8
5	26554	CLUTCH PILOT	1
6	26104	LATHE CUT RING	1
7	72103	O-RING	1
8	21333	CAPSCREW, HEX SOCKET, FLAT COUNTERSUNK (1/4 - 20 x 3/4 GD8)	3
9	26117	THRUST WASHER	1
10	70636	FRICTION DISC	4
11	69699	WAVED DISC	3
12	26755	PRESSURE PLATE	1
13	26147	RETAINING RING	1

**MODEL 30B PS
PUMP & ACCUMULATOR**



ITEM	PART NO.	DESCRIPTION	QTY.
34	68772	PUMP	1
41	11015	LOCKWASHER (1/4)	4
42	25866	CAPSCREW (1/4 NC x 3 GD8, HEX SOCKET)	2
43	75231	CAPSCREW (1/4 NC x 1 1/2 GD8, HEX SOCKET)	2
44	26240	MALE CONNECTOR	1
44A	72098	O-RING	1
45	26403	45° ELBOW	1
74	10318	DOWEL PIN	1
97	26667	DOWEL PIN	2

**ACCUMULATOR
ASSEMBLY**



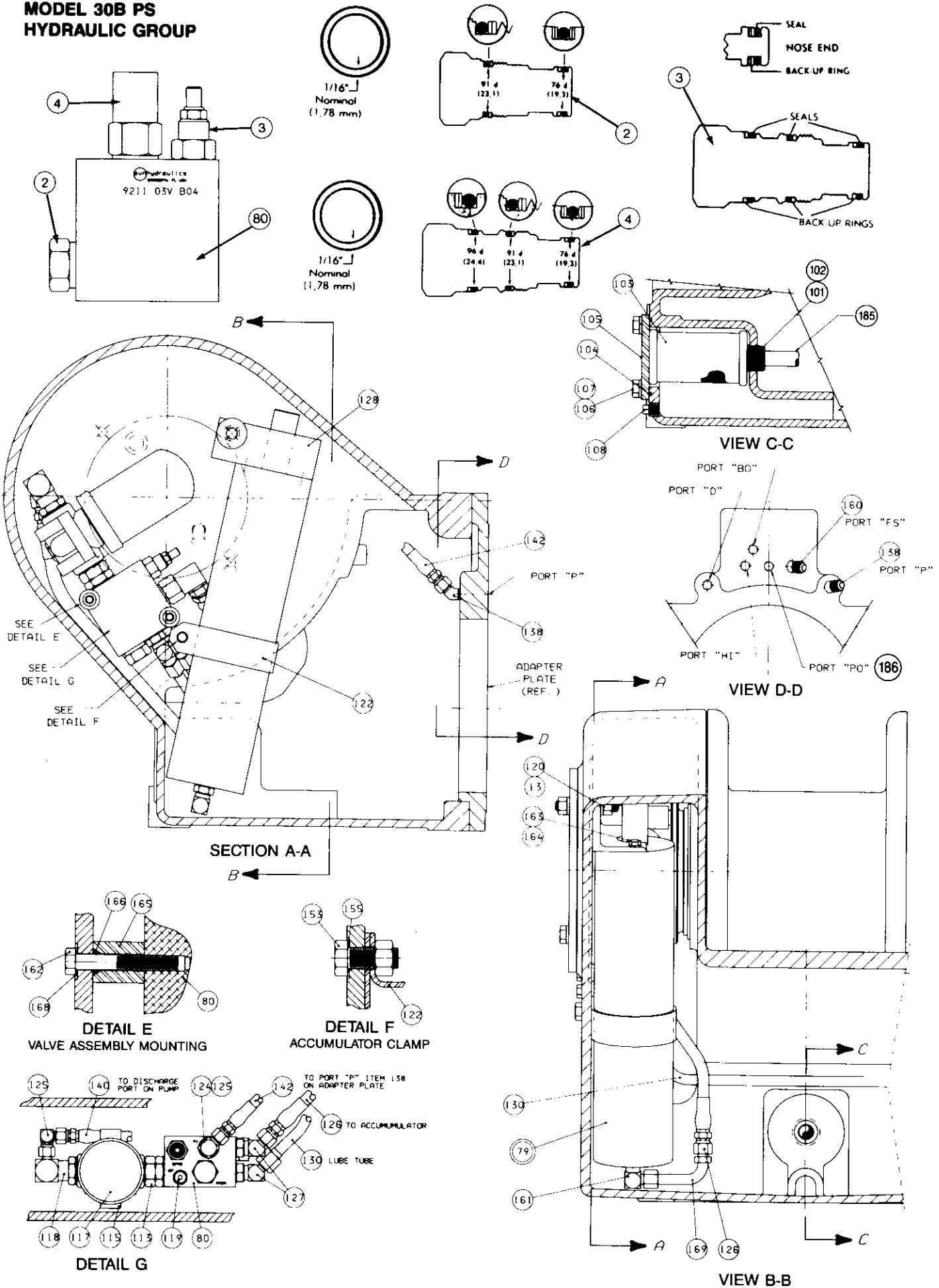
⚠ WARNING

2,000 LB. (900 Kg) SPRING PRELOAD—USE PRESS FOR DISASSEMBLY PER SERVICE INSTRUCTIONS IN SERVICE BULLETIN 95. PROPERTY DAMAGE, SEVERE PERSONAL INJURY OR DEATH MAY RESULT IF ROD GUIDE REMOVAL IS ATTEMPTED WITHOUT A PRESS.

ITEM	PART NO.	DESCRIPTION	QTY.
1	NSS	ROD	1
2	27836	RETAINING RING	1
3	NSS	ROD GUIDE	1
4	NSS	SPRING	1
5	NSS	PISTON	1
6	27833	CAST IRON PISTON RING	1
7	27832	SEAL ASSEMBLY	1
8	NSS	TUBE ASSEMBLY	1
9	NSS	NUT	1
—	62131	SEAL KIT (CONTAINS ITEMS 2, 6 & 7)	

NSS — Not Serviced Separately

**MODEL 30B PS
HYDRAULIC GROUP**



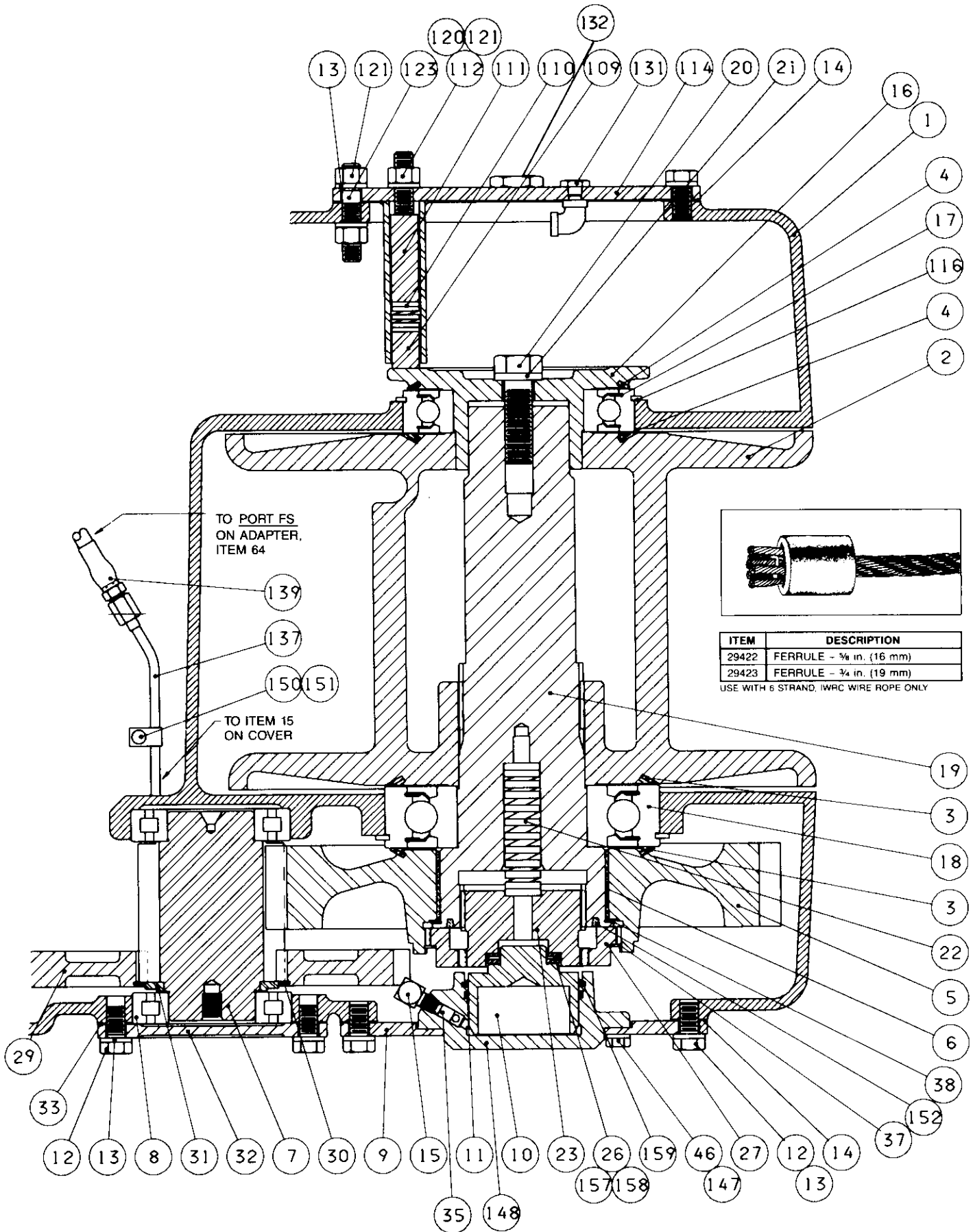
**MODEL 30B PS
HYDRAULIC GROUP**

ITEM	PART NO.	DESCRIPTION	QTY.
80	29646	UNLOADING VALVE ASSEMBLY	1
2	40165	CHECK VALVE	1
	29873	CHECK VALVE SEAL KIT	1
3	40166	UNLOADING VALVE CARTRIDGE	1
	29874	UNLOADING VALVE CARTRIDGE SEAL KIT	1
4	40167	RELIEF VALVE	1
	29872	RELIEF VALVE SEAL KIT	1

NOTE: Seal kits contain 2 sets of o-rings and back-up rings. Use 1/16 in. (1.59 mm) o-rings and back-up rings.

ITEM	PART NO.	DESCRIPTION	QTY.
79	81959	ACCUMULATOR ASSEMBLY (REFER TO PAGE 9)	1
80	29646	UNLOADING VALVE	1
101	26164	NIPPLE	1
102	24429	O-RING	1
103	70189	STRAINER	1
104	21283	O-RING	1
105	26174	STRAINER COVER	1
106	22697	CAPSCREW (1/2 NC x 1 GD5, HEX)	4
107	11026	LOCKWASHER (1/2)	4
108	23095	PLUG	2
113	29650	UNION	1
115	29644	FILTER HEAD	1
117	29645	FILTER	1
118	29647	90° ELBOW	1
119	69325	PLUG	1
120	23583	NUT (1/2 NC)	2
122	29649	ACCUMULATOR BRACKET	1
124	31286	ADAPTER	1
125	31426	90° UNION	2
126	29823	HOSE ASSEMBLY	1
127	69605	ELBOW	2
128	28809	ACCUMULATOR MOUNTING ANGLE	1
130	29651	LUBE TUBE	1
138	31334	45° ELBOW	1
140	29648	34 IN. HOSE ASSEMBLY	1
142	29657	23 IN. HOSE ASSEMBLY	1
153	13938	CAPSCREW (1/2 NC x 1 1/4 GD5, HEX)	1
155	72144	SEALING WASHER	1
160	31333	45° ELBOW	1
161	70109	90° ELBOW	1
162	11778	CAPSCREW (3/8 NC x 2 1/2 GD5, HEX)	2
163	11766	CAPSCREW (5/16 NC x 7/8 GD5, HEX)	2
164	11024	LOCKWASHER (5/16)	2
165	29652	STANDOFF SPACER	2
166	25948	O-RING	2
168	72142	SEALING WASHER	2
169	29817	ELBOW	1
185	26231	SUCTION TUBE	1
186	70120	PLUG (HAUL-IN ONLY EQUIPPED WINCHES)	1

**MODEL 30B PS
DRUM GROUP**

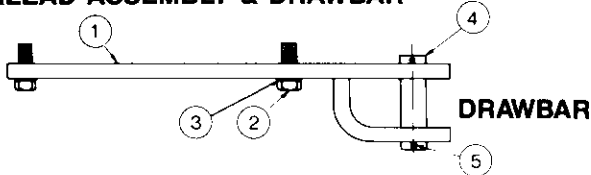


MODEL 30B PS DRUM GROUP

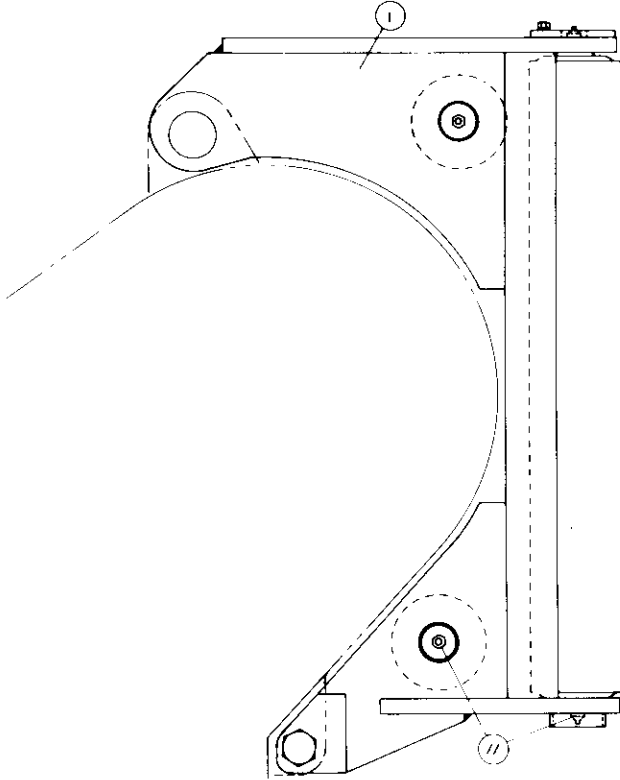
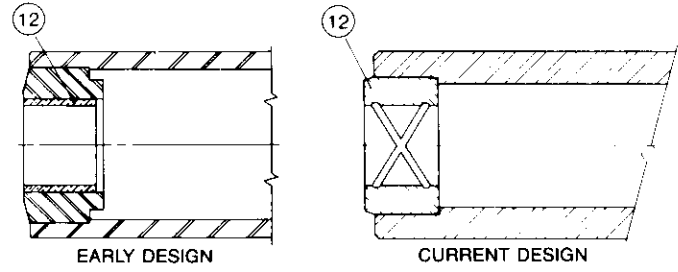
ITEM	PART NO.	DESCRIPTION	QTY.
1	27546	WINCH HOUSING	1
2	27520	CABLE DRUM	1
3	26100	LATHE CUT RING	2
4	26101	LATHE CUT RING	2
5	27383	BULL GEAR	1
6	27400	BUSHING	1
7	26779	INTERMEDIATE GEAR	1
8	26116	ROLLER BEARING	2
9	27379	GEAR SIDE COVER PLATE	1
10	27378	FREESPOOL PISTON	1
11	69858	O-RING	1
12	22697	CAPSCREW (1/2 NC x 1 GD5, HEX)	11
13	11073	WASHER (1/2 IN.)	13
14	26171	COVER GASKET	2
15	21163	ELBOW	1
16	27755	DRAG BRAKE SPINDLE ADAPTER	1
17	26115	BALL BEARING W/SNAP RING	1
18	26114	BALL BEARING W/SNAP RING	1
19	26077	DRUM SHAFT	1
20	78453	CAPSCREW (3/4 NC x 2 1/2 GD8, HEX)	1
21	13435	LOCKWASHER (3/4 IN.)	1
22	27387	FREESPOOL SPRING	1
23	27715	SPOOL GEAR	1
26	24305	BEARING	1
27	27406	COLLAR GEAR	1
29	26777	REDUCTION GEAR	1
30	26775	SNAP RING	1
31	26776	SPACER	1
32	26109	COVER PLATE	1
33	26170	COVER GASKET	1
35	81913	DUMP VALVE SPOOL	1
37	27391	RETAINING RING	1
38	27401	THRUST WASHER	1
46	22693	CAPSCREW (3/8 NC x 3/4 GD5, HEX)	3
109	27321	DRAG BRAKE DISC	1
110	26139	SPRING	1
111	26162	SPACER BAR	1
112	26151	SET SCREW	1
114	29660	BRAKE SIDE COVER	1
116	27476	BRAKE BEARING SHIM	1
120	25829	SEAL WASHER (USE 1/2 in. FLAT WASHER BETWEEN NUT, ITEM 121, AND SEAL WASHER)	1
121	11788	NUT (1/2 NC, HEX)	3
123	28805	STUD	1
131	69777	BREATHER BENT	1
132	70118	FILL PLUG	1
137	27326	FREESPOOL TUBE	1
139	26412	HOSE ASSEMBLY	1
147	72142	SEALING WASHER	1
148	27561	FREESPOOL CYLINDER	1
150	30990	CLIP	1
151	31218	SCREW	1
152	27550	FELT SEAL	1
157	24306	THRUST WASHER	1
158	73294	THRUST RACE	1
159	27420	ROD WIPER	1

NOT SHOWN: Tie Bar P/N 26404 / Tie Bar Cotter Pins P/N 31948

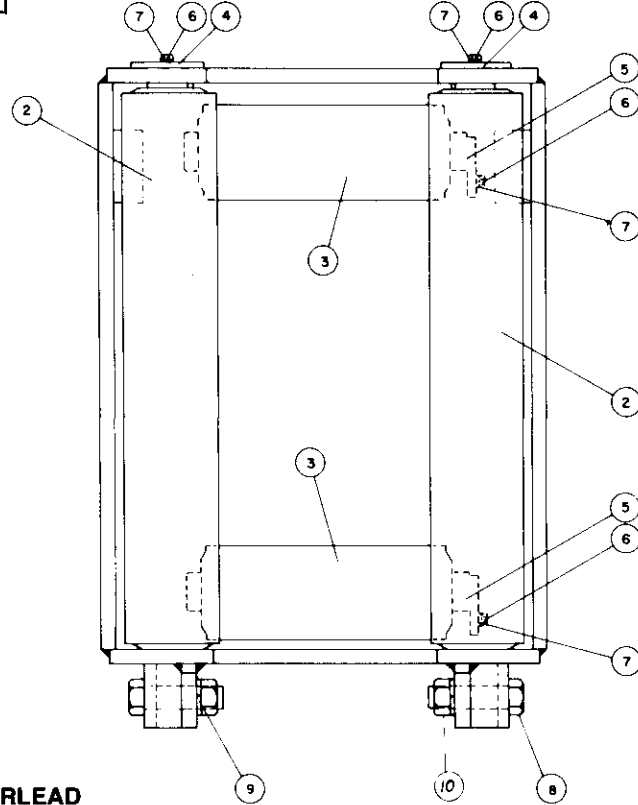
**MODEL 30B PS
FAIRLEAD ASSEMBLY & DRAWBAR**



CLEAN TAPPED HOLES IN WINCH HOUSING BEFORE INSTALLING DRAWBAR. TORQUE CAPSCREWS TO 380 FT. LBS.



FAIRLEAD

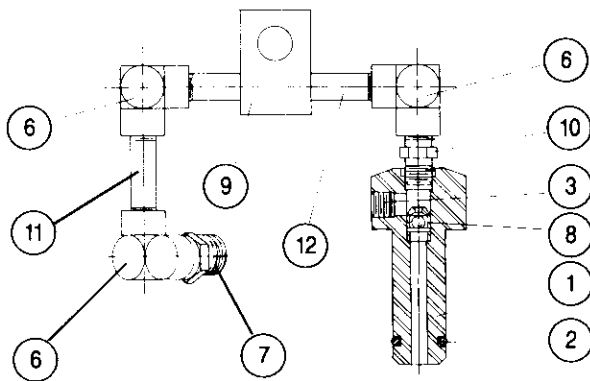


ITEM	PART NO.	DESCRIPTION	3-ROLLER QTY.	4-ROLLER QTY.
—	81820	COMPLETE 4 ROLLER FAIRLEAD	—	1
—	81821	COMPLETE 3 ROLLER FAIRLEAD	1	—
1	26665	FAIRLEAD BODY	1	1
2	82189	ROLLER ASSEMBLY (LONG, INCLUDES BUSHINGS)	2	2
3	82188	ROLLER ASSEMBLY (SHORT, INCLUDES BUSHINGS)	1	2
4	81840	ROLLER SHAFT (LONG)	2	2
5	81837	ROLLER SHAFT (SHORT)	1	2
6	21961	CAPSCREW (3/8 - 16 x 1 GR 5)	3	4
7	18003	LOCKWASHER (3/8)	3	4
8	72366	CAPSCREW (3/4 - 10 x 3 1/4)	2	2
9	13435	LOCKWASHER (3/4)	2	2
10	13444	HEX NUT (3/4 - 10)	2	2
11	18047	GREASE FITTING	6	8
12	77344	BUSHING - EARLY DESIGN 1.625 in. (41.3 mm) OD	6	8
	40249	BUSHING - CURRENT DESIGN 2.375 in. (60.3 mm) OD	6	8
—	63069	4TH ROLLER KIT (INCLUDES ITEMS 3, 5, 6, 7, 11)	OPT.	OPT.

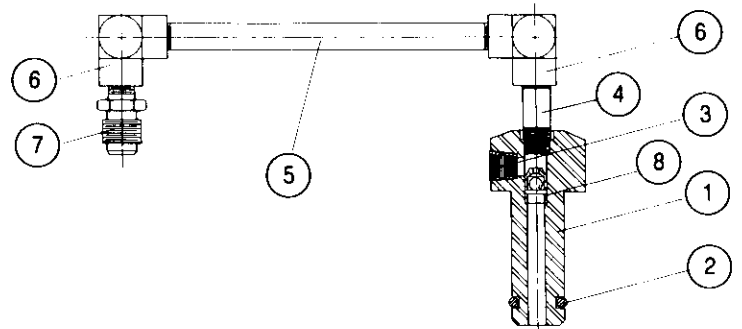
DRAWBAR KIT - 61926 (INCLUDES ITEMS 1-5)

ITEM	PART NO.	DESCRIPTION	QTY.
1	27087	DRAWBAR	1
2	70691	CAPSCREW	6
3	13435	LOCKWASHER	6
4	27241	DRAWBAR PIN	1
5	27242	COTTER PIN	2

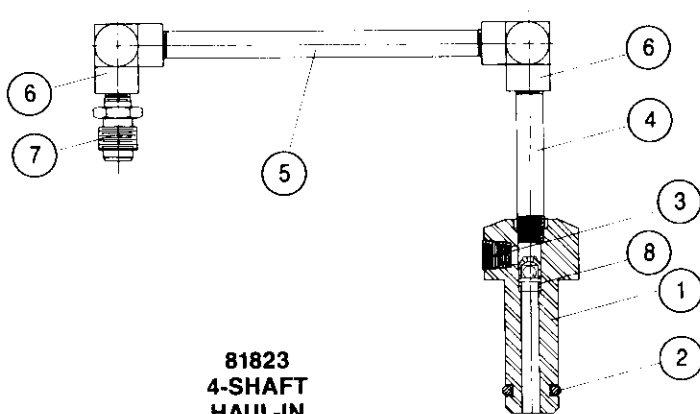
**MODEL 30B PS
TUBE ASSEMBLIES**



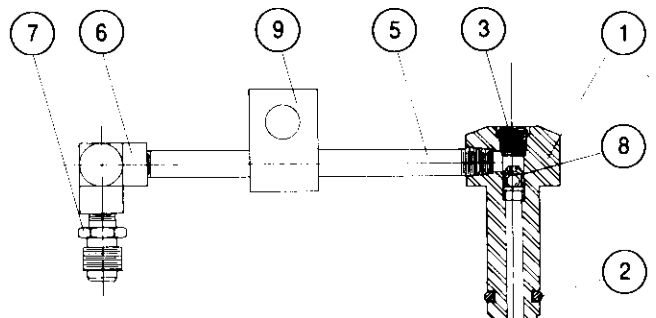
**81825
4-SHAFT, PAY-OUT**



**82059
3-SHAFT, HAUL-IN**



**81823
4-SHAFT
HAUL-IN**



**81824
3-SHAFT, PAY-OUT**

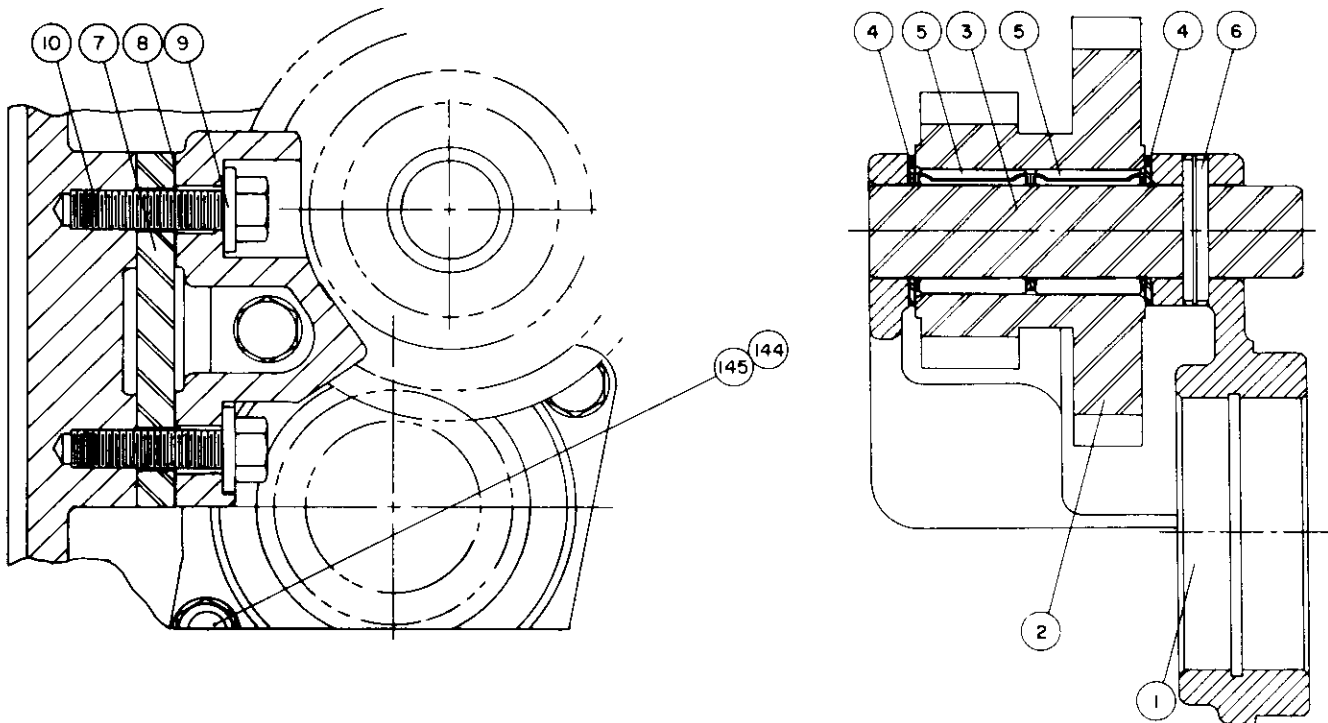
ITEM	PART NO.	DESCRIPTION	81823 QTY.	81825 QTY.	81824 QTY.	82059 QTY.
1	26163	HYDRAULIC TUBE	1	1	1	1
2	26201	O-RING	1	1	1	1
3	22374	PIPE PLUG	1	1	1	1
4	27898	PIPE NIPPLE	—	—	—	1
5	26246	PIPE NIPPLE	1	—	1	1
6	24524	FEMALE PIPE ELBOW	2	3	1	2
7	75956	MALE CONNECTOR	1	1	1	1
8	81913	DUMP VALVE SPOOL	1	1	1	1
9	26427	GUIDE BLOCK	—	1	1	—
10	24528	MALE CONNECTOR	—	1	—	—
11	76118	PIPE NIPPLE	—	1	—	—
12	26245	PIPE NIPPLE	—	1	—	—

**MODEL 30B PS
ADAPTER ASSEMBLY
4-SHAFT SLOW SPEED**

NOTES: The parts on this page are installed on slow speed 4-shaft winches only. Unless specified on this page, reference adapter assembly parts on pages 6 and 7.

On 4-shaft winches, the haul-in clutch is on the brake side of the clutch shaft and the pay-out clutch is on the gear side.

PAGE 6/7 ITEM NO.	PART NO.	DESCRIPTION	QTY.
57	27895	CLUTCH SHAFT	1
76	81823	TUBE ASSEMBLY (SEE PAGE 15)	1
78	81825	TUBE ASSEMBLY (SEE PAGE 15)	1



ITEM	PART NO.	DESCRIPTION	QTY.
1	26068	CLUTCH SHAFT CARRIER	1
2	26097	CLUSTER GEAR	1
3	26099	CLUSTER GEAR SHAFT	1
4	24306	THRUST WASHER	2
5	26120	BEARING	2
6	75310	ROLLPIN ($\frac{5}{16} \times 1$)	1
7	26578	SPACER	1
8	26570	SHIM SET (2 ea. — .005, .007)	2
9	32220	WASHER	2
10	13421	CAPSCREW ($\frac{1}{2} - 13 \text{ NC} \times 2 \text{ GR } 5$)	2
144	26425	STUD (WITH GEAR SIDE ONLY)	1
145	11788	NUT ($\frac{1}{2} - 13 \text{ NC}$) (WITH GEAR SIDE CLUTCH ONLY)	1

NOTES: Item 1 must be mounted in place prior to assembly of remaining parts group items.

When a gear side clutch is used with these parts, group items 144 and 145 are installed in location shown.