

CARCO®

PARTS MANUAL MODEL 30 PS WINCH WITH INTERNAL HYDRAULICS FOR JOHN DEERE 450G, 455G, 550G, 555G, 650G TRACTORS

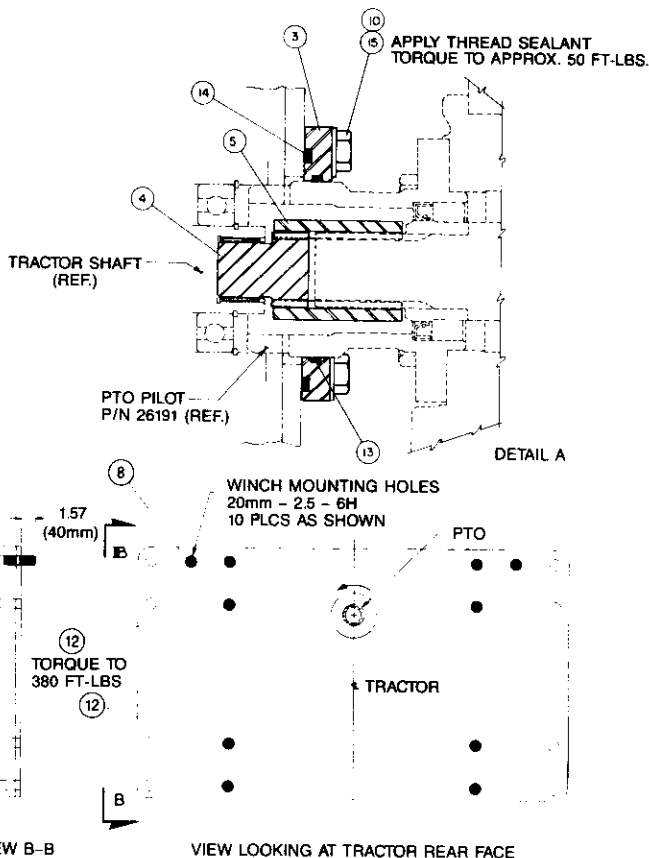
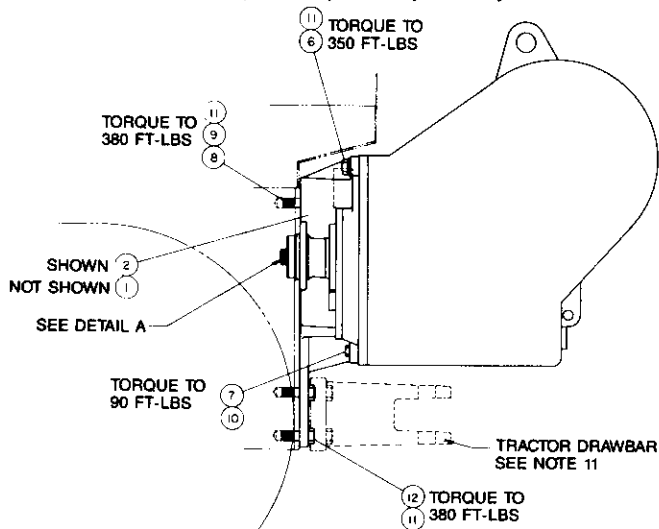
TABLE OF CONTENTS

	PAGE
Table of Contents	1
Mounting Group	2
PTO Adapter Group	3
Control Group – Haul-In Only	4-5
Control Group – Haul-In & Pay-Out	6-7
Winch Case Adapter Group	8-9
Clutch Assembly	10
Cluster Gear Assembly (4-Shaft Winch).....	11
Hydraulic Group	12-13
Drum Group	14-15
Fairlead Assembly and Drawbar.....	16

PACCAR WINCH DIVISIONS

P.O. Box 547 • BROKEN ARROW, OK 74013
PHONE: (918) 251-8511 • FAX: (918) 258-4822

**MODEL 30PS
MOUNTING GROUP
JOHN DEERE 450G, 455G, 550G, 555G, 650G**



NOTES

1. PTO ROTATION IS CCW AS VIEWED FROM THE REAR OF THE TRACTOR.
2. REMOVE AND DISCARD TRACTOR PTO SHAFT COVER PLATE.
3. REMOVE PAINT FROM REAR FACE OF TRACTOR AT WINCH MOUNTING SURFACES.
4. APPLY 'LOCTITE 242' OR EQUIVALENT TO THREADED FASTENERS AND TORQUE TO VALUES GIVEN.
5. INSTALL MOUNTING BRACKETS, ITEMS 1 & 2, TO WINCH WITH CAPSCREWS, ITEMS 6 & 7, AND FLATWASHERS, ITEMS 10 & 11.
6. INSERT SPLINED COUPLING, ITEM 5, AND SHAFT ADAPTER, ITEM 4, ONTO WINCH SHAFT. COAT SPLINES OF COUPLING AND ADAPTER WITH MULTI-PURPOSE GREASE BEFORE INSTALLATION.
7. SLIDE SEAL PLATE, ITEM 3, WITH O-RINGS, ITEMS 13 & 14, ONTO PTO PILOT AS SHOWN IN DETAIL "A". APPLY GREASE TO O-RINGS FOR RETENTION & LUBRICATION DURING INSTALLATION.
8. WHEN WINCH IS INSTALLED ON TRACTOR, SLIDE SEAL PLATE WITH O-RINGS AGAINST THE TRACTOR REAR COVER. FASTEN WITH CAPSCREWS AND FLATWASHERS, ITEMS 15 & 10.
9. INSTALL STUDS, ITEM 8, INTO TRACTOR REAR FACE TO PROJECTION SHOWN.
10. INSTALL WINCH ONTO STUDS AND FASTEN WITH NUTS, ITEM 9. IT MAY BE NECESSARY TO "BUMP" TRACTOR STARTER TO ROTATE TRACTOR PTO TO PROPERLY ALIGN SPLINES ON TRACTOR SHAFT WITH ADAPTER.

11. INSTALL AND FASTEN CAPSCREWS, ITEM 12, INTO REMAINING MOUNTING HOLES.
12. IF J. DEERE DRAWBAR IS TO BE USED WITH WINCH, REPLACE THE BOTTOM (4) CAPSCREWS WITH THE FOLLOWING J. DEERE PARTS:
 (1) T112606 DRAWBAR
 (4) 19M7963 CAPSCREWS, M20x2.5-6gx100mm HARDENED WASHERS (PER THE FOLLOWING NOTE)
 NOTE: FOR CURRENT PRODUCTION MTG. BRACKETS (SPOTFACE DIA. @ LOWER HOLES = 1.75 DIA.) USE J. DEERE P/N 24M7242 WASHER.
 FOR INITIAL PRODUCTION MTG. BRACKETS (SPOTFACE DIA. @ LOWER MTG. HOLES = 1.60 DIA.) USE J. DEERE P/N T33089 WASHER.
 DRAWBAR WILL MOUNT ON TOP OF MTG. BRACKETS AS SHOWN WITH WASHERS INSTALLED BETWEEN BRACKETS AND DRAWBAR.
13. FOR HYDRAULIC INSTALLATION, SEE:
 CONTROL GROUP, MOD. 30 W/HAUL-IN, OR
 CONTROL GROUP, MOD. 30 W/PAYOUT.
14. BEFORE OPERATING WINCH, CHECK OIL LEVEL IN TRACTOR AND FILL WINCH WITH OIL PER WINCH OPERATOR'S MANUAL.

ITEM	PART NO.	DESCRIPTION	QTY.
1	26289	MOUNTING BRACKET (LEFT HAND)	1
2	26290	MOUNTING BRACKET (RIGHT HAND)	1
3	26199	PLATE	1
4	26189	ADAPTER SHAFT	1
5	26190	SPLINED COUPLING	1
6	78453	CAPSCREW, HEX HEAD (3/4 - 10 NC x 2 1/2 GR8)	4
7	31029	CAPSCREW, HED HEAD (1/2 - 13 NC x 2 1/4 GR8)	4
8	26217	STUD (20mm - 2.5 x 75mm)	4
9	32363	NUT (20mm - 2.5)	4
10	11073	WASHER (1/2)	8
11	13824	WASHER (3/4)	14
12	26215	CAPSCREW, HEX HEAD (20mm - 2.5 x 60mm)	6
13	21283	O-RING	1
14	72116	O-RING	1
15	26216	CAPSCREW, METRIC	4

**MODE 30PS
PTO ADAPTER GROUP
JOHN DEERE 450G, 455G, 550G, 555G, 650G**



**WEDGE-TYPE CABLE
ANCHOR**

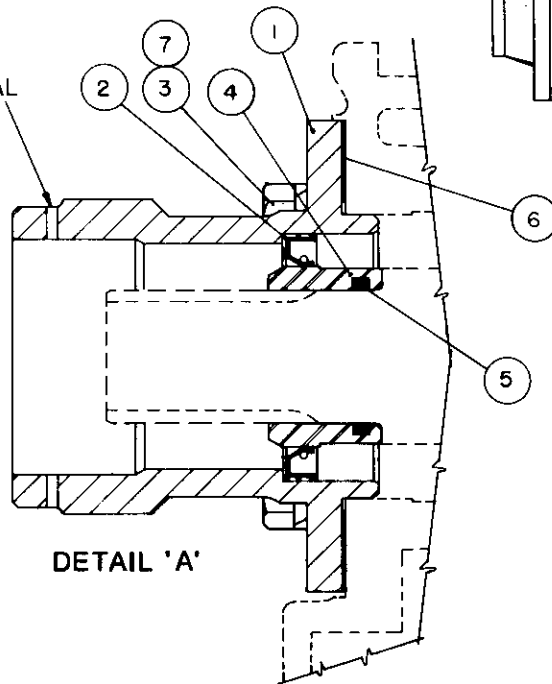
5/8" PART NO. 71978

3/4" PART NO. 71979

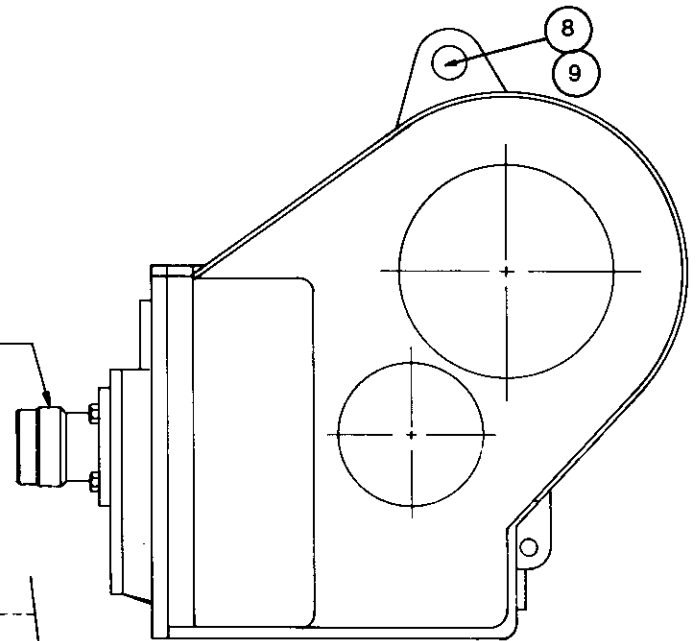


CABLE FERRULE MUST BE
1 5/8" (41 MM) DIAMETER BY 2" (51 MM) LONG

NOTE: DRAIN HOLES TO
BE LOCATED IN VERTICAL
POSITION.

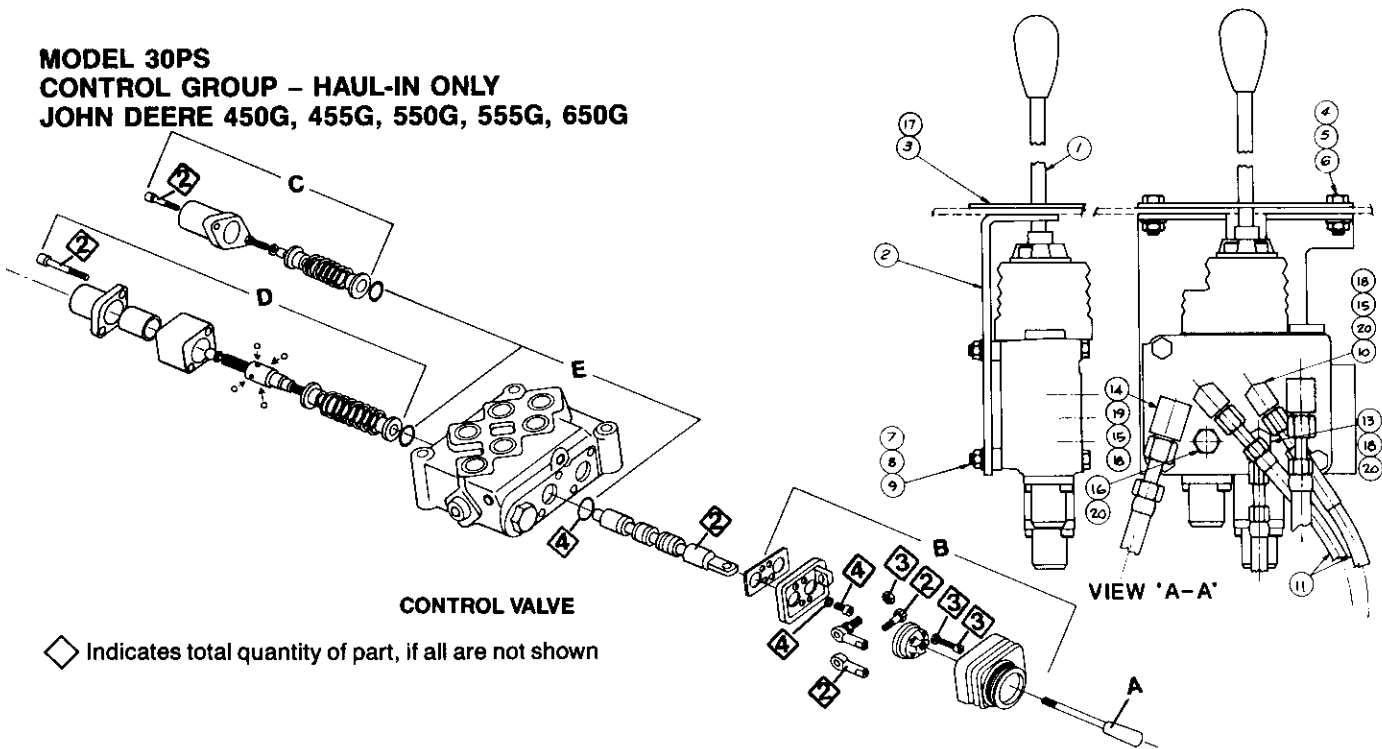


SEE DETAIL "A"



ITEM	PART NO.	DESCRIPTION	QTY.
1	26191	PILOT, PTO	1
2	26202	SEAL	1
3	13938	CAPSCREW, HEX HEAD (1/2 - 13 NC x 1/4 GR 5)	4
4	26128	SLEEVE	1
5	13838	O-RING	1
6	26169	GASKET	1
7	11026	LOCKWASHER (1/2)	4
8	26404	CABLE GUARD PIN	1
9	31948	COTTER PIN	2

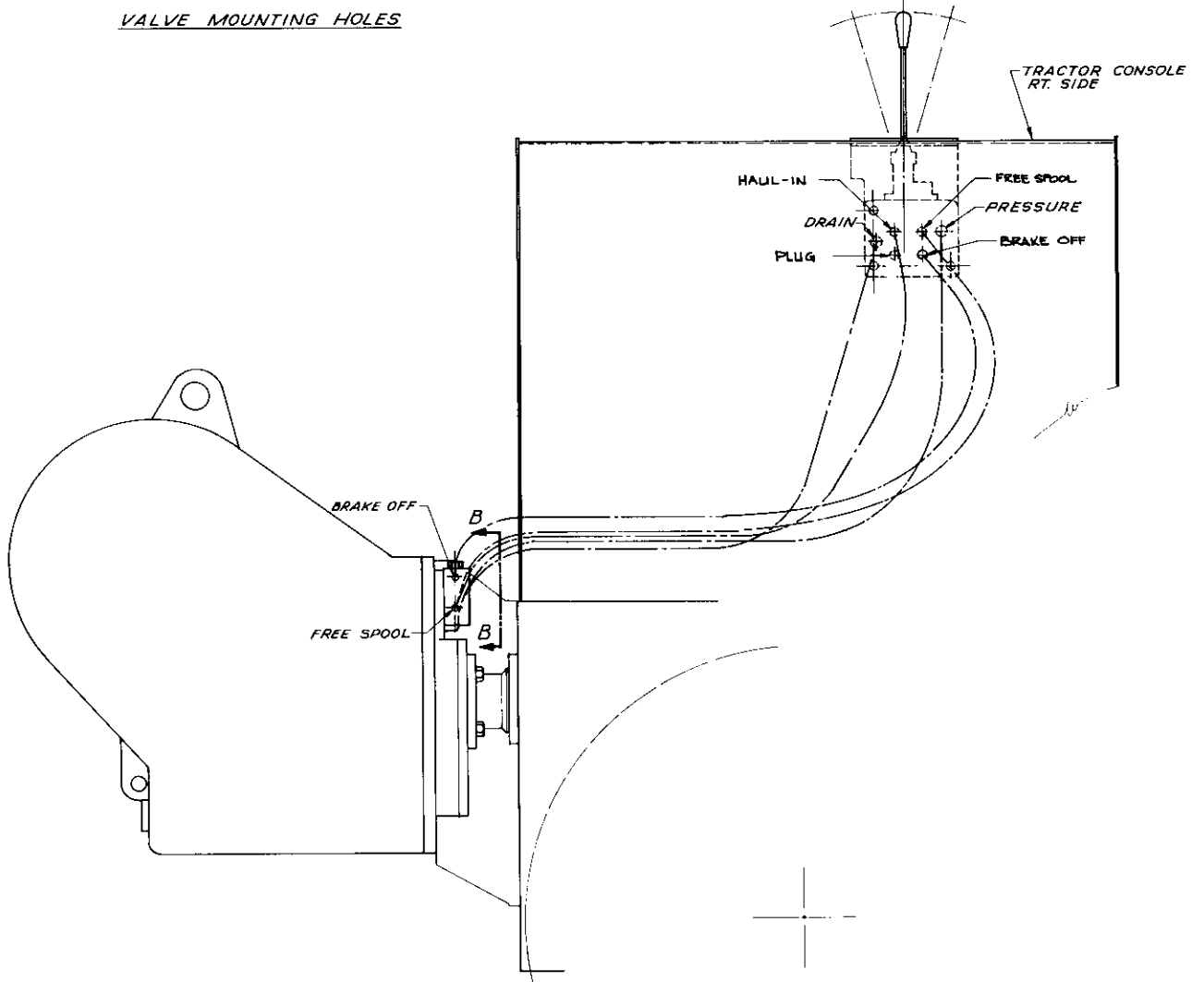
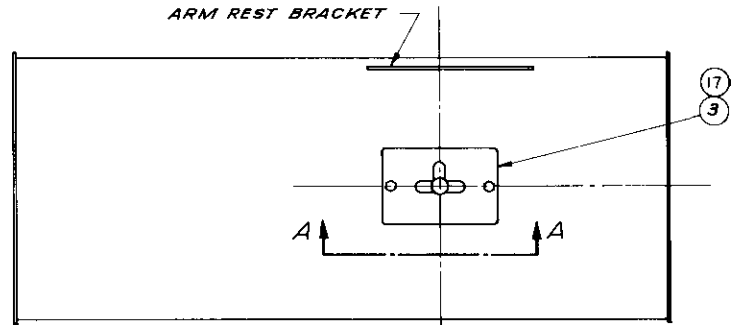
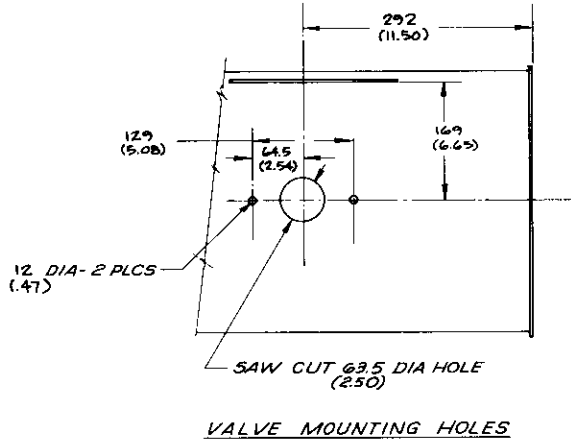
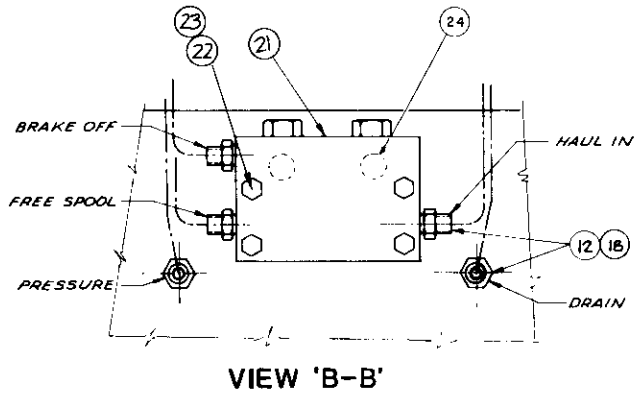
**MODEL 30PS
CONTROL GROUP - HAUL-IN ONLY
JOHN DEERE 450G, 455G, 550G, 555G, 650G**



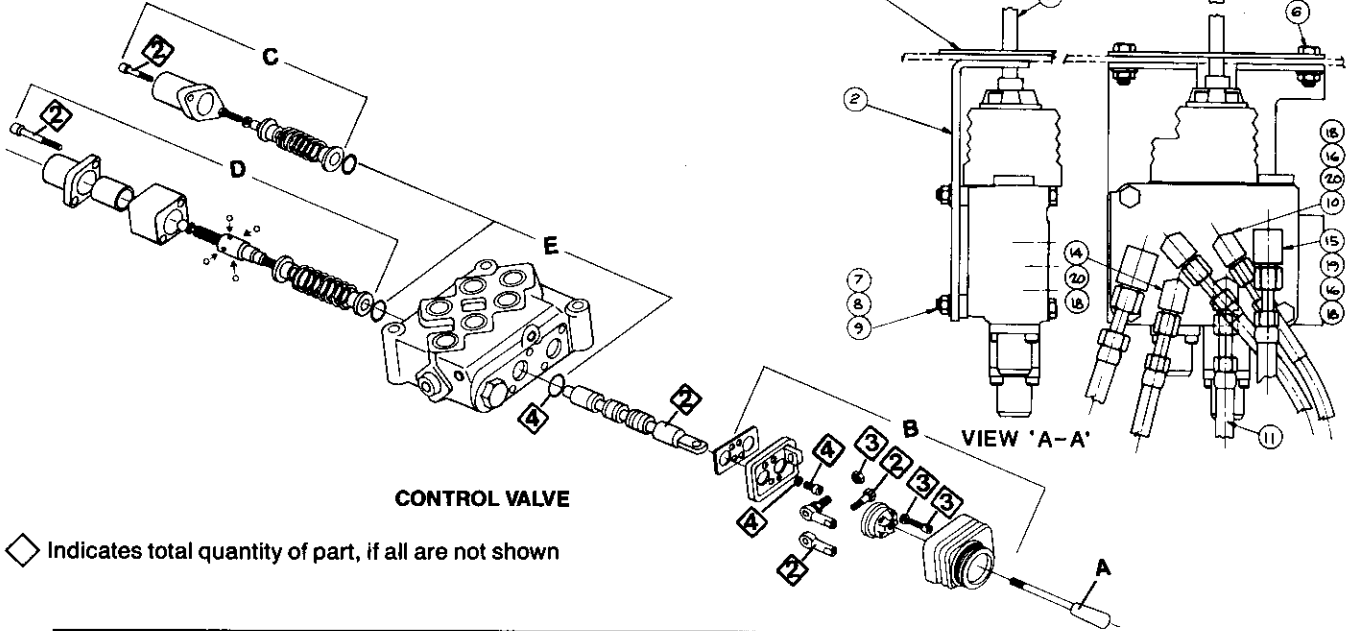
◇ Indicates total quantity of part, if all are not shown

ITEM	PART NO.	DESCRIPTION	QTY.
1	26214	VALVE	1
2	26833	BRACKET	1
3	26409	GATE PLATE	1
4	32318	CAPSCREW, HEX HEAD (10 mm - 1.5 X 25mm)	2
5	18003	LOCKWASHER (10mm)	2
6	26684	NUT (10mm - 1.5)	2
7	26863	CAPSCREW, HEX HEAD (1/4 - 20 NC X 3 1/4 GR 5)	3
8	11015	LOCKWASHER (1/4)	3
9	11761	NUT (1/4 - 20 NC)	3
10	26676	ADAPTER, STRAIGHT (INCLUDES O-RING)	2
11	26677	HOSE ASSEMBLY	5
12	26678	ADAPTER, STRAIGHT (INCLUDES O-RING)	5
13	26680	ADAPTER, 90 DEGREE (INCLUDES O-RING)	1
14	26681	ADAPTER, STRAIGHT (INCLUDES O-RING)	2
15	26682	ADAPTER, 90 DEGREE (FEMALE) (INCLUDES O-RING)	4
16	26686	PLUG (INCLUDES O-RING)	1
17	26609	PLACARD, CONTROL	1
18	24520	O-RING (REF.)	15
19	23950	O-RING (REF.)	2
20	72760	O-RING (REF.)	4
21	26204	MANIFOLD (HAUL-IN ONLY)	1
22	22704	CAPSCREW, HEX HEAD (3/8 - 16 NC x 2 GR 5)	4
23	13929	WASHER (3/8)	4
24	72097	O-RING - MANIFOLD TO ADAPTER	3
A	62039	HANDLE	1
B	62040	LINKAGE ASSEMBLY	1
C	62041	CENTERING SPRING ASSEMBLY	1
D	62042	CENTERING SPRING AND DETENT ASSEMBLY	1
E	62043	SPOOL O-RINGS (4 PER SET)	1

**MODEL 30PS
CONTROL GROUP - HAUL-IN ONLY
JOHN DEERE 450G, 455G, 550G, 555G, 650G**

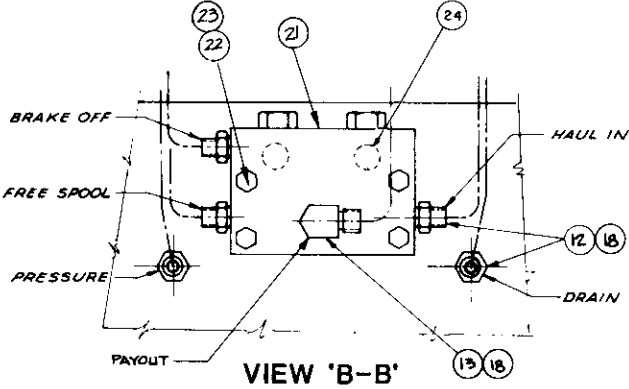


**MODEL 30PS
CONTROL GROUP - HAUL-IN AND PAY-OUT
JOHN DEERE 450G, 455G, 550G, 555G, 650G**

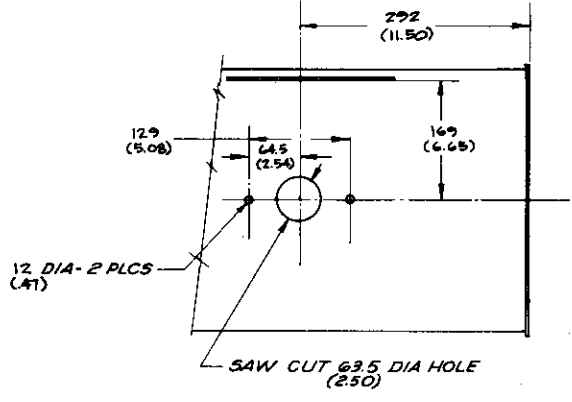


ITEM	PART NO.	DESCRIPTION	QTY.
1	26214	VALVE	1
2	26833	BRACKET	1
3	26410	GATE PLATE	1
4	32318	CAPSCREW, HEX HEAD (10mm - 1.5 X 25mm)	2
5	18003	LOCKWASHER (10mm)	2
6	26684	NUT (10mm - 1.5)	2
7	26863	CAPSCREW, HEX HEAD (1/4 - 20 NC X 3 1/4 GR 5)	3
8	11015	LOCKWASHER (1/4)	3
9	11761	NUT (1/4 - 20 NC)	3
10	26676	ADAPTER, STRAIGHT (INCLUDES O-RING)	2
11	26677	HOSE ASSEMBLY	6
12	26678	ADAPTER, STRAIGHT (INCLUDES O-RING)	5
13	26679	ADAPTER, 90 DEGREE (INCLUDES O-RING)	1
14	26680	ADAPTER, 90 DEGREE (INCLUDES O-RING)	2
15	26681	ADAPTER, STRAIGHT (INCLUDES O-RING)	2
16	26682	ADAPTER, 90 DEGREE (FEMALE) (INCLUDES O-RING)	4
17	26605	PLACARD, CONTROL	1
18	24520	O-RING (REF.)	16
19	23950	O-RING (REF.)	2
20	72760	O-RING (REF.)	4
21	26205	MANIFOLD (HAUL-IN AND PAY-OUT)	1
22	22704	CAPSCREW, HEX HEAD (3/8 - 16 NC x 2 GR 5)	4
23	13929	WASHER (3/8)	4
24	72097	O-RING - MANIFOLD TO ADAPTER	4
A	62039	HANDLE	1
B	62040	LINKAGE ASSEMBLY	1
C	62041	CENTERING SPRING ASSEMBLY	1
D	62042	CENTERING SPRING AND DETENT ASSEMBLY	1
E	62043	SPOOL O-RINGS (4 PER SET)	1

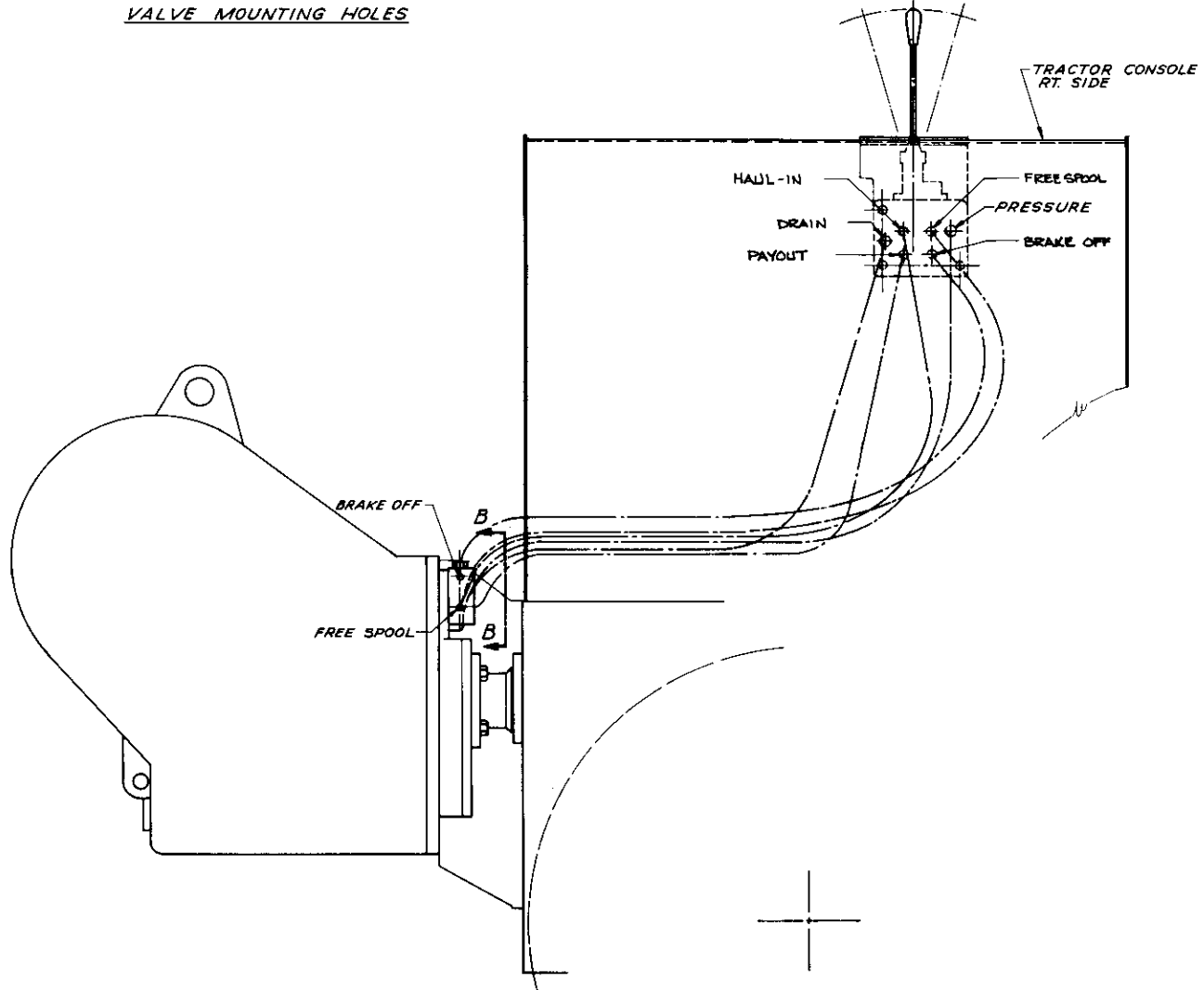
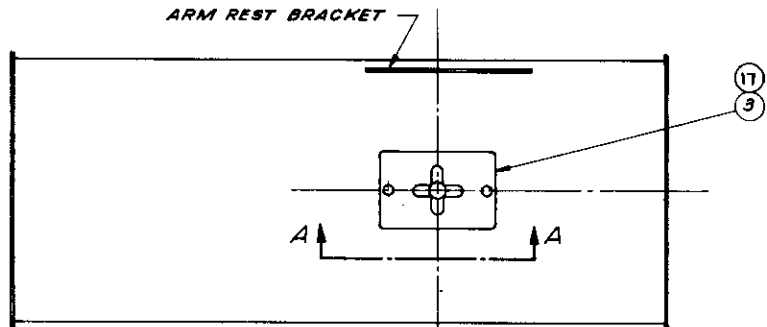
**MODEL 30PS
CONTROL GROUP - HAUL-IN AND PAY-OUT
JOHN DEERE 450G, 455G, 550G, 555G, 650G**



VIEW 'B-B'



VALVE MOUNTING HOLES

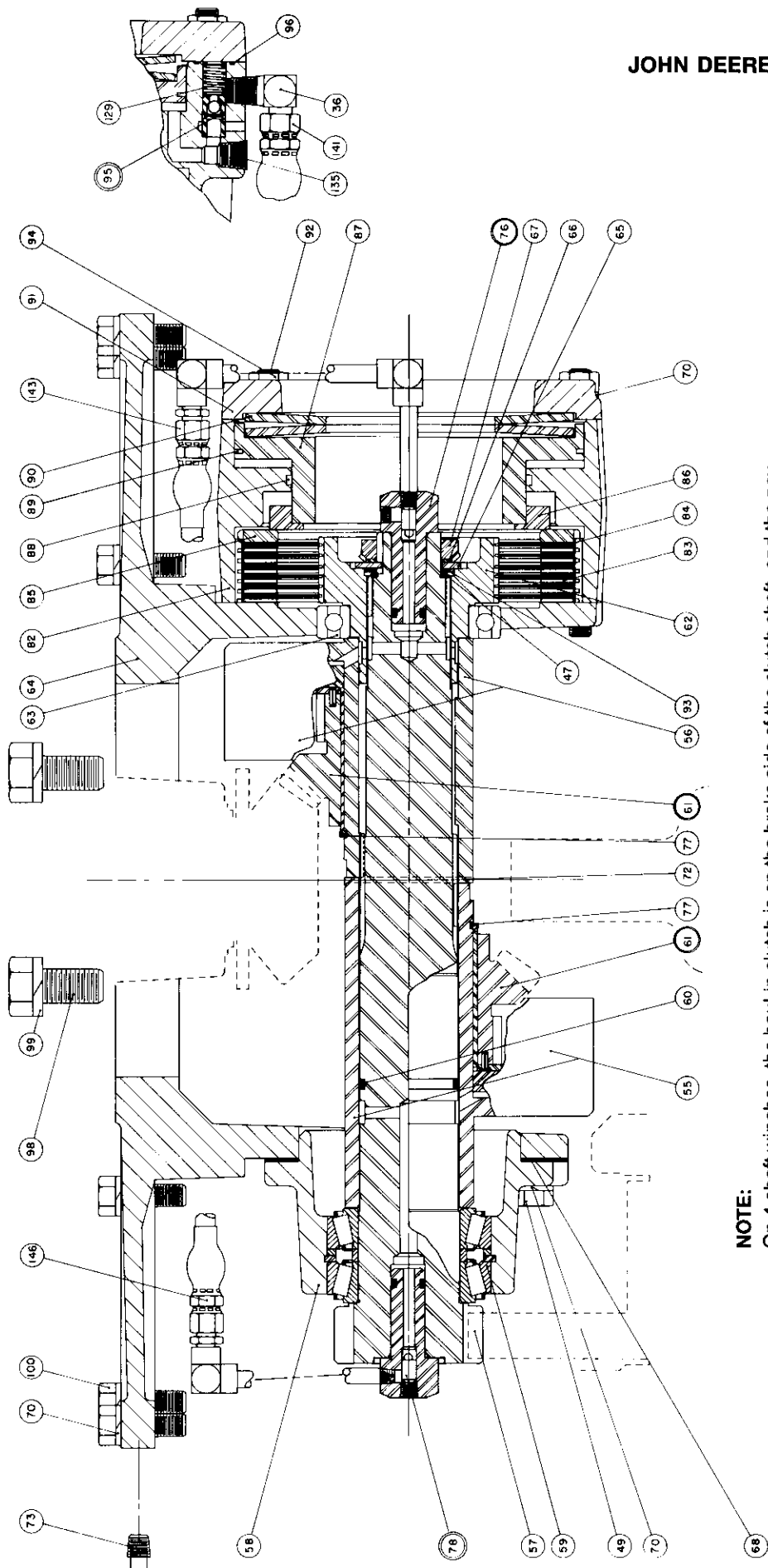


**MODEL 30PS
WINCH CASE ADAPTER GROUP
JOHN DEERE 450G, 455G, 550G, 555G, 650G**

ITEM	PART NO.	DESCRIPTION	QTY.
47	21150	O-RING	1
49	13413	CAPSCREW (1/2 - 13 NC x 1/2 GR5)	4
55	26060	SPACER (HAUL-IN ONLY)	1
55A	81779	CLUTCH ASSEMBLY (PAY-OUT)	1
56	81779	CLUTCH ASSEMBLY (HAUL-IN)	1
57	26078	CLUTCH SHAFT (3-SHAFT WINCH)	1
57	26098	CLUTCH SHAFT (4-SHAFT WINCH)	1
58	26066	CLUTCH SHAFT CARRIER (3-SHAFT WINCH)	1
59	70077	BEARING ASSEMBLY	1
60	72101	O-RING	1
61	81783	BEVEL GEAR, 36T STD. SPEED (2 WITH PAY-OUT)*	1
61	81782	BEVEL GEAR, 39T SLOW SPEED (2 WITH PAY-OUT)*	1
61	81784	BEVEL GEAR, 33T (2 WITH PAY-OUT)*	1
61	81780	BEVEL GEAR, 38T (2 WITH PAY-OUT)*	1
61A	75297	ROLL PIN (2 REQ'D. WITH PAY-OUT CLUTCH)	1
61B	26118	BUSHING (2 REQ'D. WITH PAY-OUT CLUTCH)	1
62	26055	BRAKE HUB	1
63	26122	BEARING	1
64	26048	WINCH CASE ADAPTER	1
65	26152	WASHER	1
66	26219	BEARING LOCKWASHER	1
67	31073	BEARING LOCKNUT	1
68	26173	SHIM SET (4 ea. - .005, .007, .020)	1
69	13938	CAPSCREW (1/2 - 13 NC x 1/4 GR 5)	6
70	11026	LOCKWASHER (1/2)	26
72	26168	SHIM SET (PAY-OUT ONLY)	1
73	19034	PLUG	1
76	81823	TUBE ASSEMBLY, BRAKE SIDE (HAUL-IN)	1
77	26596	SNAP RING (4 REQ'D. WITH PAY-OUT CLUTCH)	2
78	81825	TUBE ASSEMBLY, GEAR SIDE (PAY-OUT)	1
82	26052	BRAKE HOUSING	1
83	69699	DISC - STEEL WAVED	6
84	70636	DISC - FRICTION	6
85	70293	PRESSURE PLATE	1
86	26059	SPACER, BRAKE	1
87	26054	PISTON, BRAKE RELEASE	1
88	10330	O-RING	1
89	26102	RING, RUBBER	1
90	70255	SPRING, BRAKE	2
91	26053	COVER, BRAKE HOUSING	1
92	26167	STUD	4
93	26753	WASHER	2
94	26145	NUT	4
95	81765	SPOOL, BRAKE DUMP	1
96	22454	O-RING	1
98	78468	CAPSCREW (3/4 - 10 NC x 1/2)	6
99	13435	LOCKWASHER (3/4)	6
100	13413	CAPSCREW (1/2 - 13 NC x 1/2 GR 5)	12
129	26329	SPRING	1
135	70120	PLUG	1
36	31342	ELBOW, 90 DEGREE MALE	1
141	26414	HOSE ASSEMBLY (BRAKE)	1
143	26415	HOSE ASSEMBLY (HAUL-IN)	1
146	26414	HOSE ASSEMBLY (PAY-OUT)	1
160	26163	HYDRAULIC TUBE	1
161	26201	O-RING	1
162	26723	HYDRAULIC TUBE DUMP PISTON	1
163	22374	PIPE PLUG (1/8")	1
164	26244	PIPE NIPPLE (1/8 x 2)	1
165	26246	PIPE NIPPLE (1/8 x 5)	1
166	26245	PIPE NIPPLE (1/8 x 3)	1
167	76118	PIPE NIPPLE (1/8 x 1 1/2)	1
168	26427	GUIDE BLOCK	1
169	24524	FEMALE PIPE ELBOW	As Req'd.
170	75956	MALE CONNECTOR	1
171	24528	MALE CONNECTOR	1

*Includes items 61A & 61B

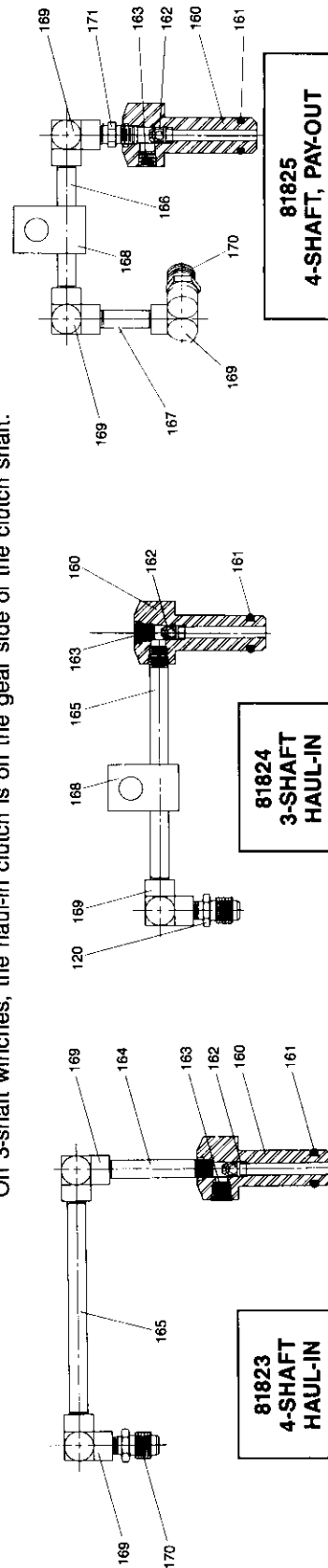
**MODEL 30PS
WINCH CASE ADAPTER GROUP
JOHN DEERE 450G, 455G, 550G, 555G, 650G**



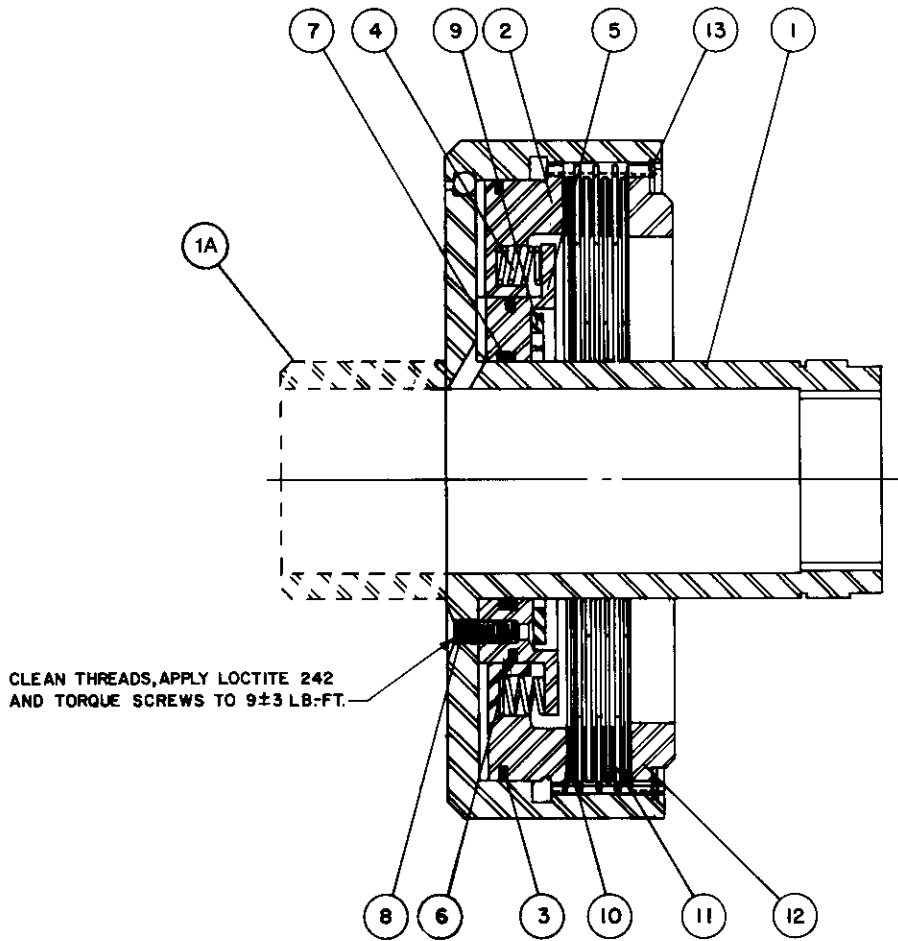
NOTE:

On 4-shaft winches, the haul-in clutch is on the brake side of the clutch shaft, and the pay-out clutch is on the gear side.

On 3-shaft winches, the haul-in clutch is on the gear side of the clutch shaft.

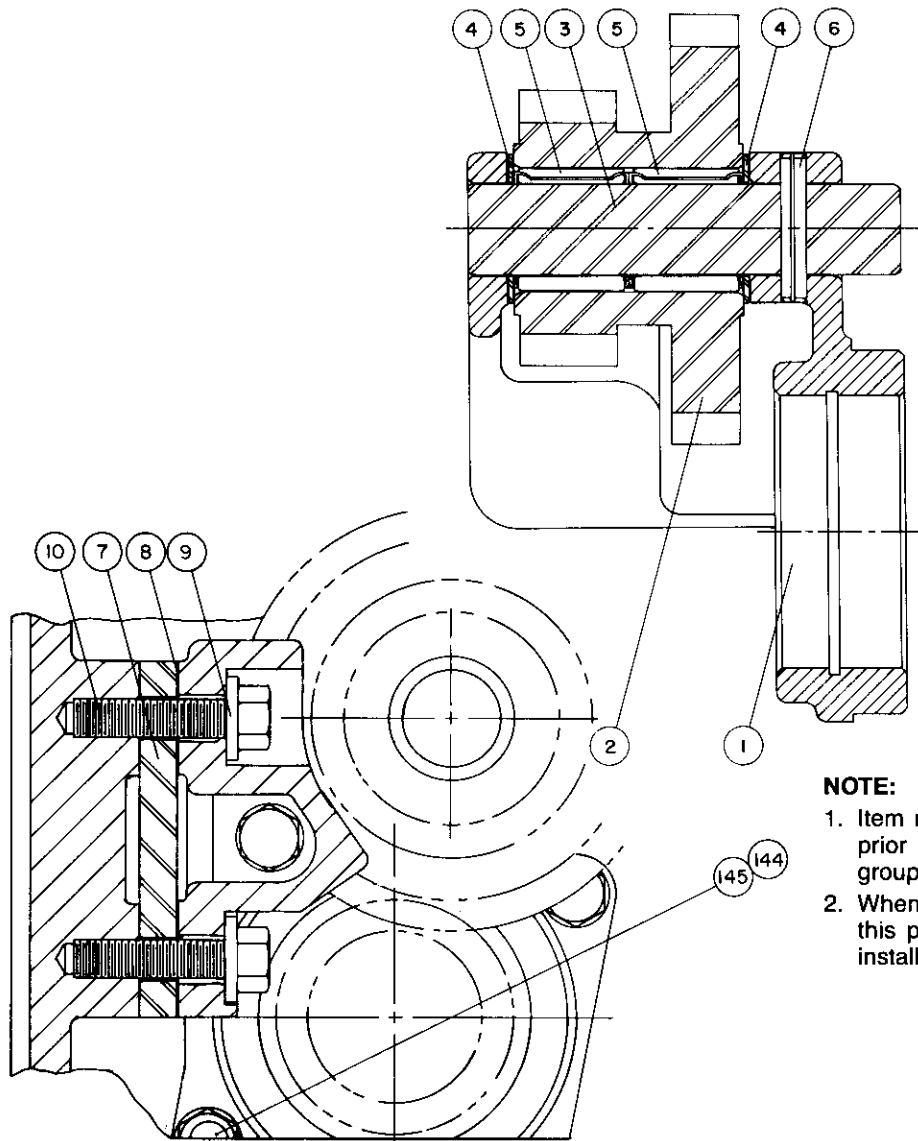


**MODEL 30PS
CLUTCH ASSEMBLY
JOHN DEERE 450G, 455G, 550G, 555G, 650G**



ITEM	PART NO.	DESCRIPTION	QTY.
1	26063	CLUTCH HOUSING (HAUL-IN, 4-SHAFT)	1
1	26063	CLUTCH HOUSING (PAY-OUT, 4-SHAFT)	1
1A	26062	CLUTCH HOUSING (HAUL-IN, 3-SHAFT)	1
2	26065	CLUTCH PISTON	1
3	26103	RUBBER RING	1
4	26137	SPRING	8
5	26554	CLUTCH PILOT	1
6	26104	RUBBER RING	1
7	72103	O-RING	1
8	21333	MACHINE SCREW	3
9	26117	THRUST WASHER	1
10	70636	FRICTION DISC	4
11	69699	WAVED DISC	3
12	26699	PRESSURE PLATE	1
13	26147	RETAINING RING	1

**MODEL 30PS
CLUSTER GEAR ASSEMBLY (4-SHAFT WINCH)
JOHN DEERE 450G, 455G, 550G, 555G, 650G**



NOTE:

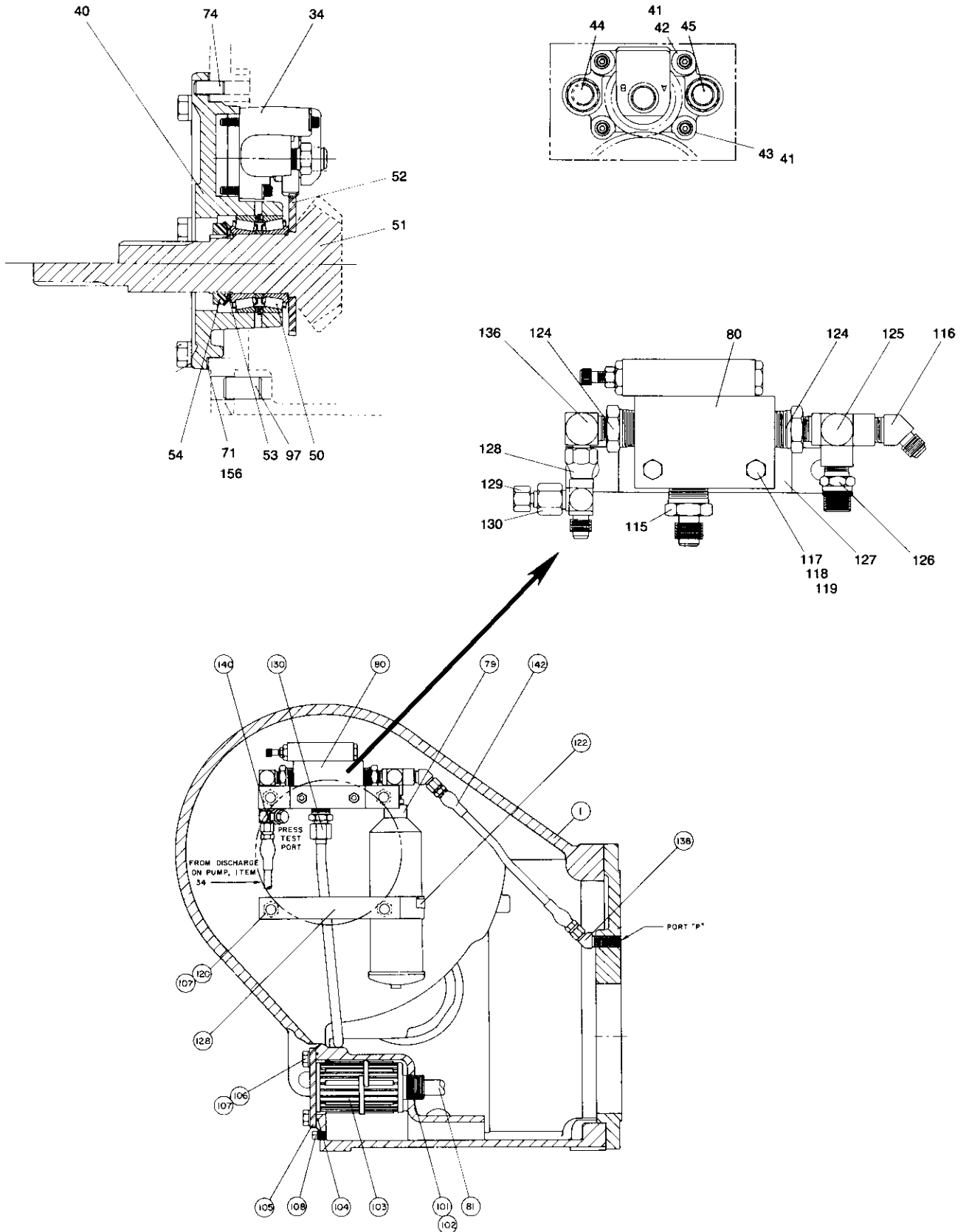
1. Item no. 1 must be mounted in place prior to assembly of remaining parts group items.
2. When a gear side clutch is used with this parts group items 144 & 145 are installed in location shown.

ITEM	PART NO.	DESCRIPTION	QTY.
1	26068	CLUTCH SHAFT CARRIER	1
2	26097	CLUSTER GEAR	1
3	26099	CLUSTER GEAR SHAFT	1
4	24306	THRUST WASHER	2
5	26120	BEARING	2
6	12031	ROLLPIN ($\frac{5}{16} \times 2$) - EARLY PRODUCTION	1
6	75310	ROLLPIN ($\frac{5}{16} \times 1$) - CURRENT PRODUCTION	1
7	26578	SPACER	1
8	26570	SHIM SET (2 ea. - .005, .007)	2
9	32220	WASHER	2
10	13421	CAPSCREW ($\frac{1}{2}$ - 13 NC \times 2 GR 5)	2
144	26425	STUD (WITH GEAR SIDE CLUTCH ONLY)	1
145	11788	NUT ($\frac{1}{2}$ - 13 NC) (WITH GEAR SIDE CLUTCH ONLY)	1

**MODEL 30PS
HYDRAULIC GROUP
JOHN DEERE 450G, 455G, 550G, 555G, 650G**

ITEM	PART NO.	DESCRIPTION	QTY.
34	68772	PUMP	1
40	26051	CARRIER, PTO	1
41	11015	LOCKWASHER (1/4)	4
42	25866	CAPSCREW (1/4 - 20 NC x GR 8)	2
43	75231	CAPSCREW (1/4 - 20 NC x 1 1/2 GR 8)	2
44	26240	MALE CONNECTOR	1
45	26403	ELBOW, 45 DEGREE	1
50	26121	BEARING	1
51	26156	PINION GEAR, 22T (STANDARD SPEED)	1
51	26161	PINION GEAR, 26T	1
51	26158	PINION GEAR, 18T	1
51	26160	PINION GEAR, 14T (SLOW SPEED)	1
52	69947	PUMP GEAR	1
53	26220	LOCKWASHER, BEARING	1
54	22366	LOCKNUT, BEARING	1
71	26172	SHIM SET - PTO CARRIER (2 ea. - .005, .007, .020)	1
74	10318	DOWEL PIN	1
79	32377	ACCUMULATOR	1
80	26203	UNLOADING VALVE	1
81	26231	SUCTION TUBE	1
97	26667	DOWEL PIN	1
101	26164	NIPPLE	1
102	24429	O-RING	1
103	70189	SUCTION STRAINER	1
104	21283	O-RING	1
105	26174	STRAINER COVER	1
106	22697	CAPSCREW (1/2 - 13 NC x 1 GR 5)	4
107	11026	LOCKWASHER (1/2)	8
108	23377	PLUG	1
115	31305	MALE CONNECTOR	1
116	31335	ELBOW, 45 DEGREE MALE	1
117	21469	CAPSCREW (5/16 - 18 NC x 2 1/4)	2
118	11771	NUT (5/16 - 18 NC)	2
119	11024	LOCKWASHER (5/16)	2
120	23583	JAM NUT (1/2 - 13 NC)	4
122	31006	CLAMP	1
124	26297	REDUCER, PIPE	2
125	26298	TEE ADAPTER, PIPE	1
126	26299	ADAPTER WITH O-RING	1
127	26300	BRACKET	1
128	26301	BRACKET	1
128	32254	TEE, SWIVEL NUT	1
129	70182	CAP NUT	1
130	27452	REDUCER ADAPTER	1
130	26402	TUBE, LUBRICATION	1
136	31343	ELBOW, 90 DEGREE MALE	1
138	31334	ELBOW, 45 DEGREE MALE	1
140	26411	HOSE ASSEMBLY	1
142	26413	HOSE ASSEMBLY	1
156	26341	GASKET - PTO CARRIER	1

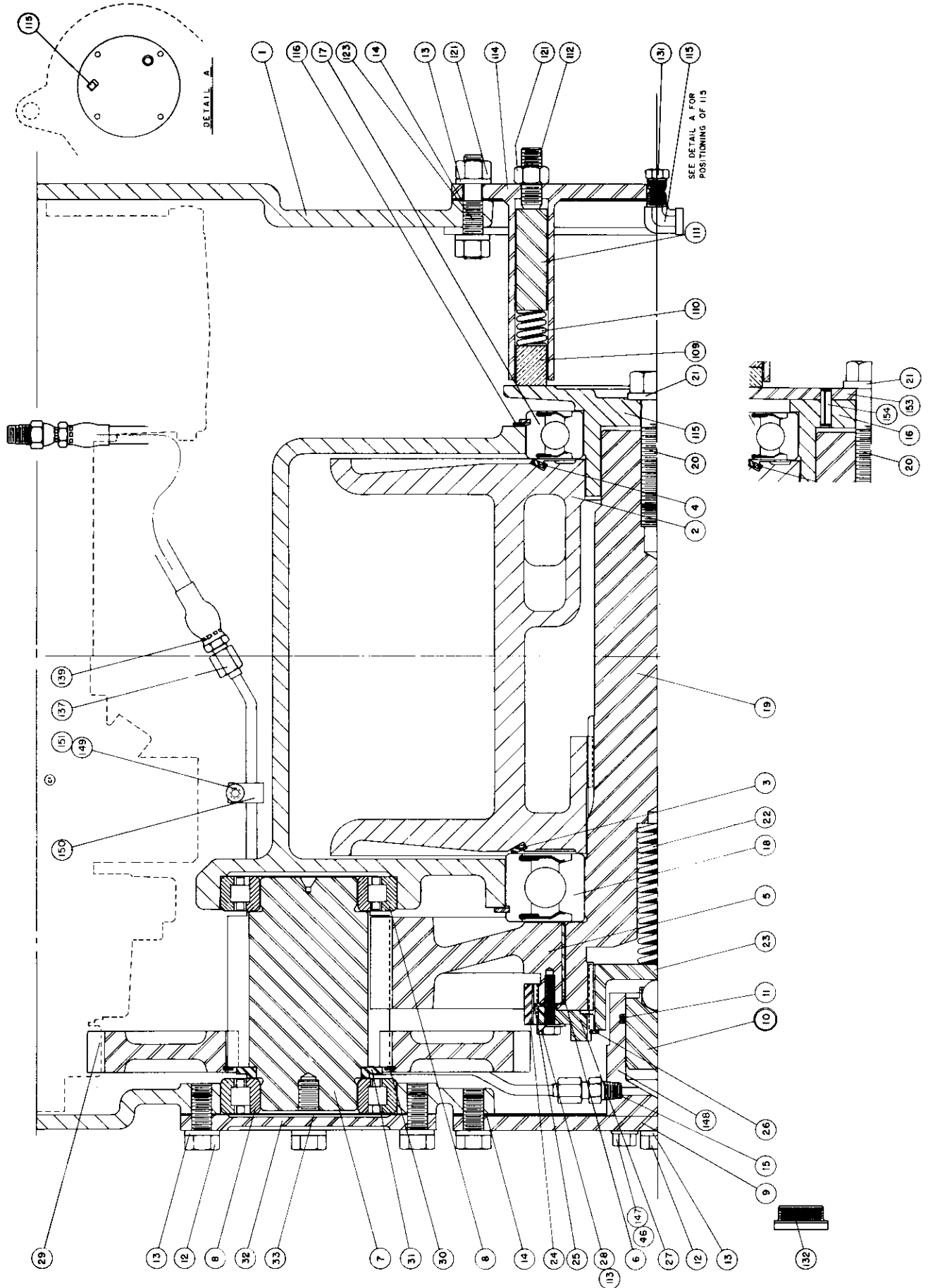
**MODEL 30PS
HYDRAULIC GROUP
JOHN DEERE 450G, 455G, 550G, 555G, 650G**



**MODEL 30PS
DRUM GROUP
JOHN DEERE 450G, 455G, 550G, 555G, 650G**

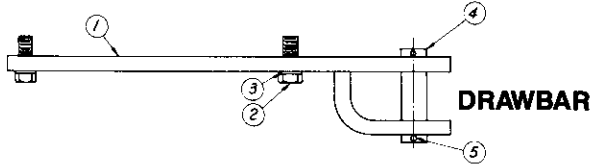
ITEM	PART NO.	DESCRIPTION	QTY.
1	26047	HOUSING	1
2	26050	CABLE DRUM	1
3	26100	RUBBER RING	1
4	26101	RUBBER RING	1
5	26057	BULL GEAR (INCLUDES ITEM 6)	1
6	26119	BUSHING	1
7	26779	INTERMEDIATE GEAR	1
8	26116	BEARING	2
9	26113	COVER, GEAR SIDE	1
10	81766	PISTON ASSEMBLY	1
11	26650	O-RING	1
12	22697	CAPSCREW (1/2 - 13 NC x 1 GR 5)	8
13	11073	WASHER (1/2)	12
14	26171	GASKET, COVER	2
15	21219	CONNECTOR	1
16	26056	SPINDLE, DRUM (EARLY PRODUCTION)	1
17	26115	BEARING	1
18	26114	BEARING	1
19	26077	SHAFT, DRUM	1
20	24831	CAPSCREW (3/4 - 10 NC x 3 GR 5) (EARLY PRODUCTION)	1
21	13435	LOCKWASHER (3/4)	1
22	26138	SPRING	1
23	26074	GEAR	1
24	26070	GEAR	1
25	26150	RETAINING RING	1
26	26146	RETAINING RING	1
27	26075	GEAR	1
28	11759	CAPSCREW (1/4 - 20 NC x 1)	6
29	26777	GEAR	1
30	26775	RETAINING RING	1
31	26776	SPACER	1
32	26109	COVER PLATE	1
33	26170	GASKET	1
109	27321	DRAG BRAKE DISC	2
110	26139	SPRING	1
111	26162	SPACER BAR	1
112	26151	SOCKET HEAD CAPSCREW	1
113	26652	CAPSCREW LOCKING PLATE	1
114	26112	BRAKE SIDE COVER PLATE	1
115	13708	90° STREET ELBOW	1
116	27476	DRUM BEARING SHIM	1
121	11788	NUT (1/2 - 13 NC)	5
123	26296	STUD (1/2 - 13 NC x 2 1/2 GR 5)	4
131	69777	BREATHER	1
132	26353	FILLER PLUG	1
137	26405	FREESPOOL OIL TUBE	1
139	26412	HOSE ASSEMBLY	1
46	22693	CAPSCREW (3/8 - 16 NC x 3/4 GR 5)	3
147	26649	SEAL WASHER (3/8)	3
148	52793	CYLINDER	1
149	26659	NUT (1/4 - 20 NC)	1
150	30990	CLIP	1
151	22727	CAPSCREW (1/4 - 20 NC x 1/2)	1
153	26709	DISC, DRAG (EARLY PRODUCTION)	1
154	70862	ROLL PIN (EARLY PRODUCTION)	1
155	26969	SPINDLE ADAPTER (REPLACES ITEMS 16, 153 & 154)	1
20	78453	CAPSCREW (3/4 - 10 NC x 2 1/2 GR 5) (FOR USE WITH ITEM 155)	1

**MODEL 30PS
DRUM GROUP
JOHN DEERE 450G, 455G, 550G, 555G, 650G**

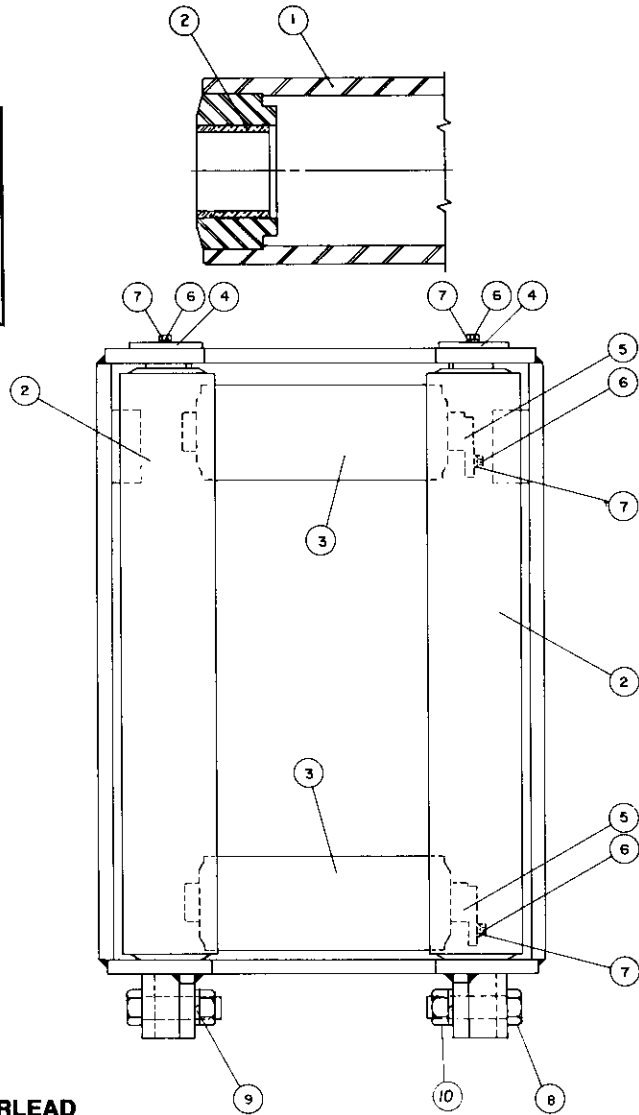
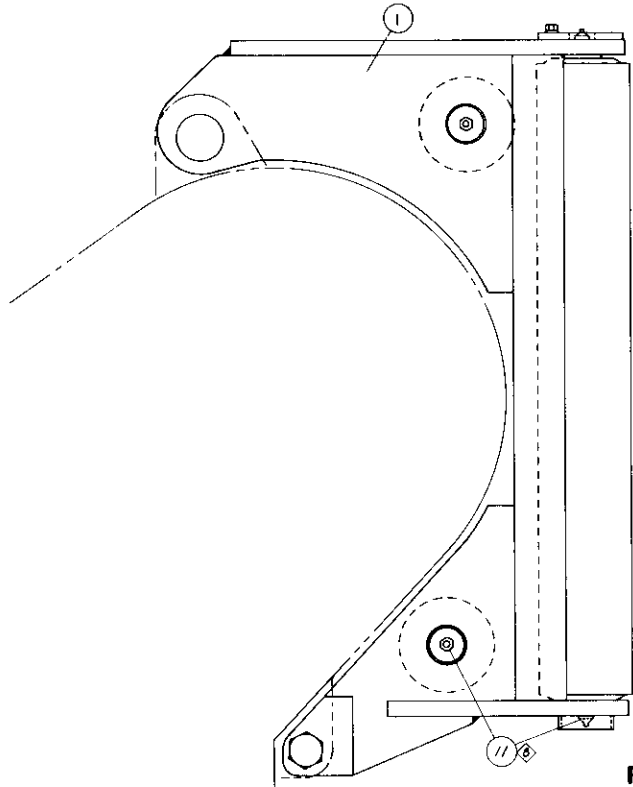


EARLY PRODUCTION

**MODEL 30 PS
FAIRLEAD ASSEMBLY & DRAWBAR
JOHN DEERE 450G, 455G, 550G, 555G, 650G**



CLEAN TAPPED HOLES IN WINCH HOUSING BEFORE INSTALLING DRAWBAR. TORQUE CAPSCREWS TO 380 FT. LBS.



ITEM	PART NO.	DESCRIPTION	3-ROLLER QTY.	4-ROLLER QTY.
	81820	COMPLETE 4 ROLLER FAIRLEAD	—	1
	81821	COMPLETE 3 ROLLER FAIRLEAD	1	—
1	26665	FAIRLEAD BODY	1	1
2	81834	ROLLER ASSY. (LONG, INCLUDES BUSHINGS)	2	2
3	81836	ROLLER ASSY. (SHORT, INCLUDES BUSHINGS)	1	2
4	81840	ROLLER SHAFT (LONG)	2	2
5	81837	ROLLER SHAFT (SHORT)	1	2
6	21961	CAPSCREW (3/8 - 16 x 1 GR 5)	3	4
7	18003	LOCKWASHER (3/8)	3	4
8	72366	CAPSCREW (3/4 - 10 x 3/4)	2	2
9	13435	LOCKWASHER (3/4)	2	2
10	13444	HEXT NUT (3/4 - 10)	2	2
11	18047	GREASE FITTING	6	8
12	26661	BUSHING	6	8

DRAWBAR KIT - 61296 (INCLUDES ITEMS 1-5)

ITEM	PART NO.	DESCRIPTION	QTY.
1	27087	DRAWBAR	1
2	70691	CAPSCREW	6
3	13435	LOCKWASHER	6
4	27241	DRAWBAR PIN	1
5	27242	COTTER PIN	2