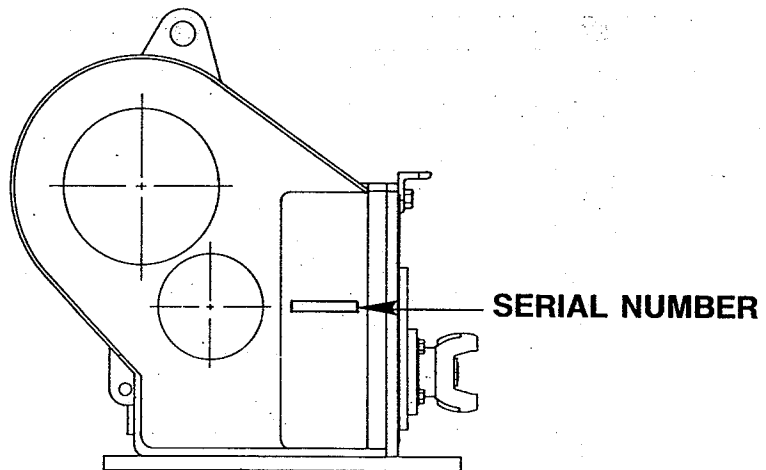


CARCO®

PARTS MANUAL MODEL 30 PS WINCH FOR CATERPILLAR 518

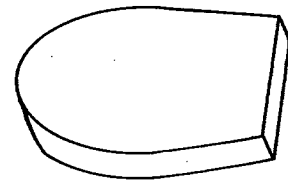
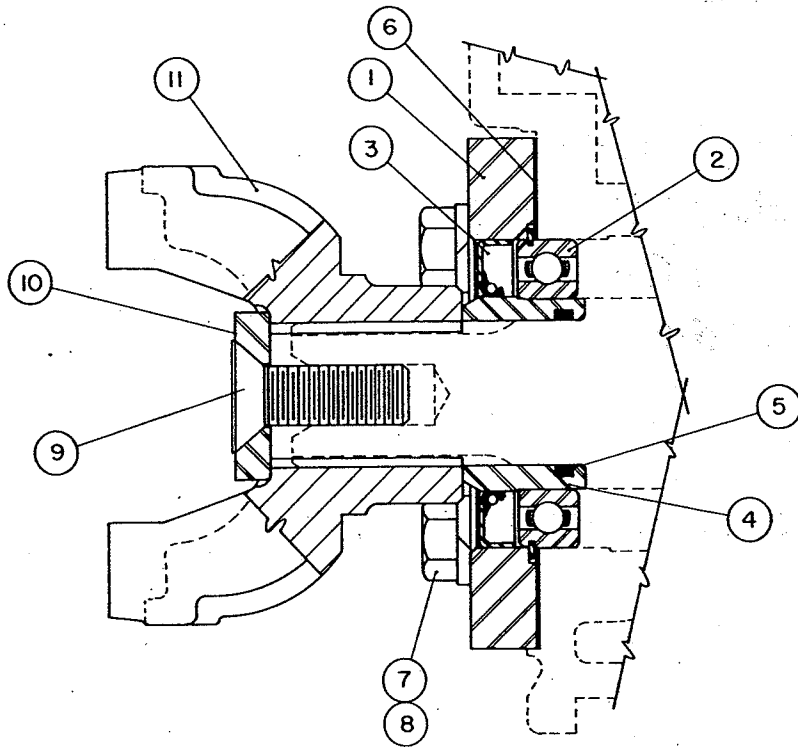
TABLE OF CONTENTS

	PAGE
Table of Contents	1
Mounting & PTO Adapter Group	2-3
Control Group	4-5
Winch Case Adapter Group	6-7
Hydraulic Group	8-9
Drum Group	10-11
Clutch Assembly	12



PACCAR WINCH DIVISIONS

**MODEL 30PS
MOUNTING GROUP
CATERPILLAR 518**



WEDGE-TYPE CABLE ANCHOR
5/8" PART NO. 71978
3/4" PART NO. 71979

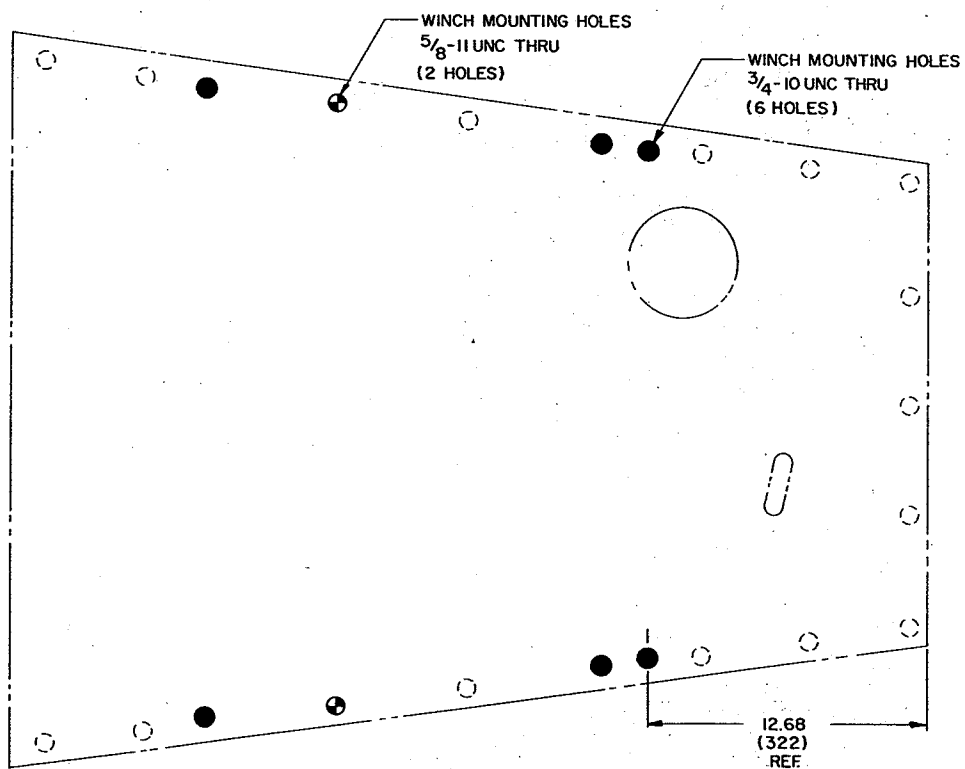
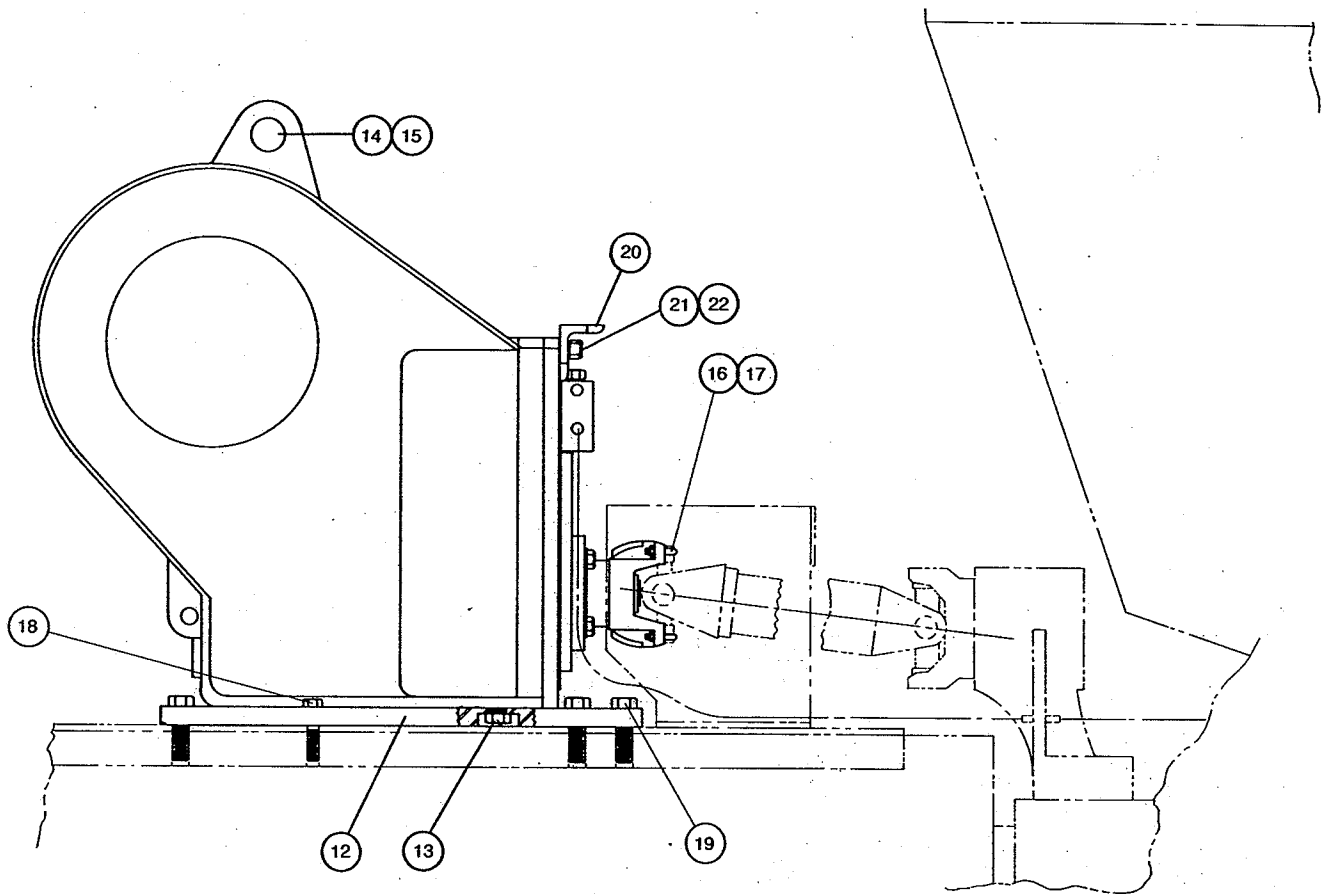


CABLE FERRULE MUST BE
1 5/8" (41 MM) DIAMETER BY
2" (51 MM) LONG

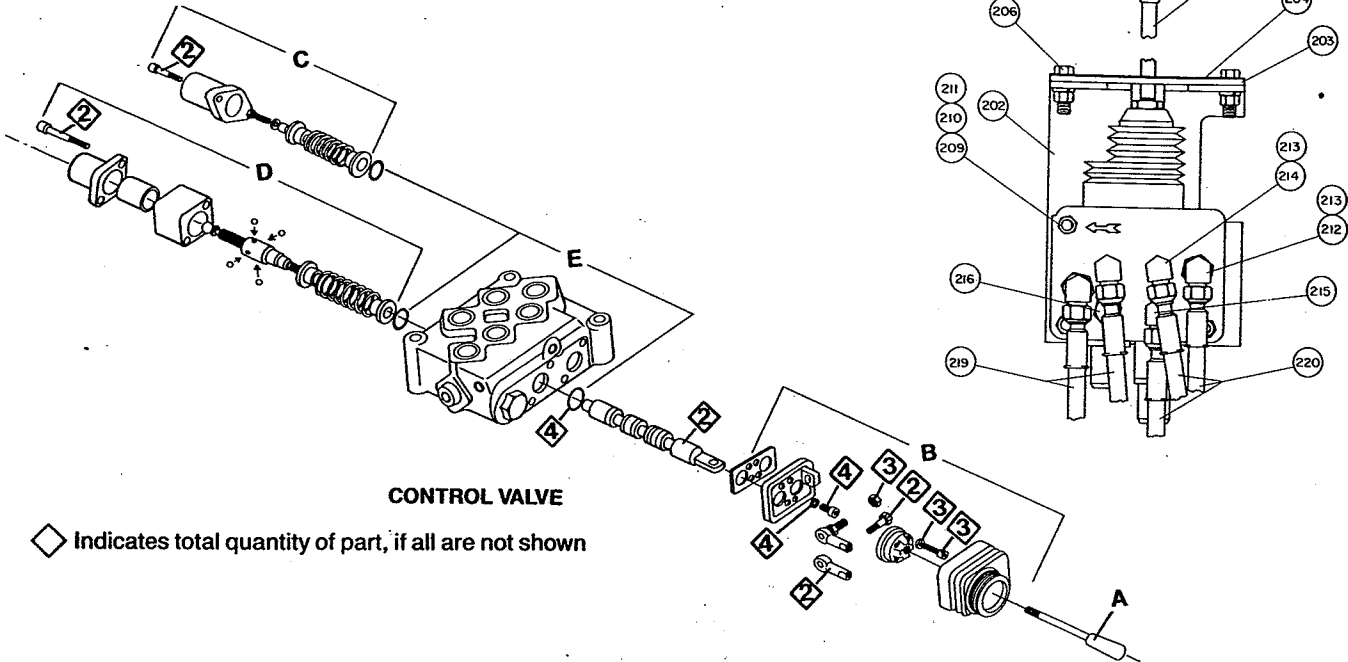
1. PTO ROTATION IS CCW AS VIEWED FROM REAR OF SKIDDER.
2. REMOVE PAINT FROM WINCH MOUNTING SURFACES ON ADAPTER PLATE AND SKIDDER REAR FRAME.
3. APPLY LOC-TITE 242 OR EQUIVALENT TO WINCH MOUNTING FASTENERS. TIGHTEN CAPSCREWS 13 AND 19 TO 350 LB.-FT. TORQUE. TIGHTEN CAPSCREW 18 TO 235 LB.-FT. TORQUE.
4. OBTAIN WINCH DRIVE GRP., CAT P/N 5V4973, AND INSTALL TO SKIDDER PER CAT INSTALLATION PROCEDURE. FASTEN DRIVE LINE TO WINCH WITH U-BOLT KIT, ITEM 17. TIGHTEN DRIVELINE U-BOLTS TO 22 LB. FT. TORQUE.
5. FILL WINCH TO PROPER LEVEL WITH OIL RECOMMENDED IN OPERATORS MANUAL, PC-140, OR SERVICE BULLETIN 92.
6. MODIFY CATERPILLAR DRIVELINE GUARD BY REMOVING 1 1/2" FROM WINCH END. IF REQUIRED, INSTALL 1" SPACERS BETWEEN GUARD MOUNTING FEET AND REAR FRAME.
7. APPLY LOC-TITE 242 OR EQUIVALENT TO THREADS OF FLAT SOCKET HEAD SCREW, ITEM 9, AND TIGHTEN TO 140 LB. FT. TORQUE.

ITEM	PART NO.	DESCRIPTION	QTY.
1	26133	PTO PILOT	1
2	72251	BEARING	1
3	26165	OIL SEAL	1
4	26128	SLEEVE	1
5	13838	O-RING	1
6	26169	GASKET	1
7	11026	LOCKWASHER	4
8	13938	CAPSCREW (HEX HEAD, 1/2 - 13 NC x 1 1/4 G5)	4
9	27371	SCREW, FLT SKT HD	1
10	27629	RETAINER WASHER	1
11	26348	YOKE	1
12	27628	MOUNTING PLATE	1
13	27630	CAPSCREW (HEX HEAD, 3/4 - 10 NC x 1 1/2 G8)	6
14	26404	CABLE GUARD PIN	1
15	31948	COTTER PIN	2
16	69034	U-JOINT ASSEMBLY	1
17	69030	U-BOLT ASSEMBLY KIT	1
18	27709	CAPSCREW (5/8 - 11 NC x 2 1/2 G8)	2
19	78453	CAPSCREW (3/4 - 10 NC x 2 1/2 G8)	6
20	27704	MANIFOLD GUARD	1
21	31033	CAPSCREW (3/4 - 10 NC x 1 3/4 G8)	2
22	13435	LOCKWASHER (3/4)	2

MODEL 30PS
MOUNTING GROUP
CATERPILLAR 518



**MODEL 30PS
CONTROL GROUP - HAUL-IN ONLY
CATERPILLAR 518**

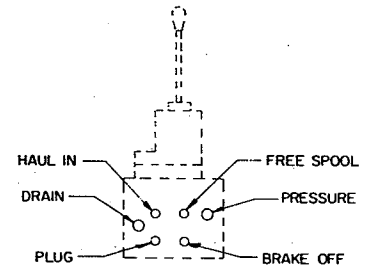
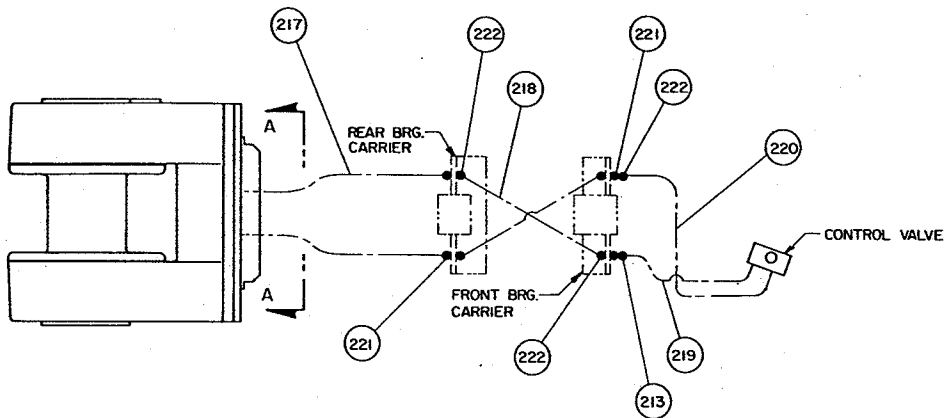
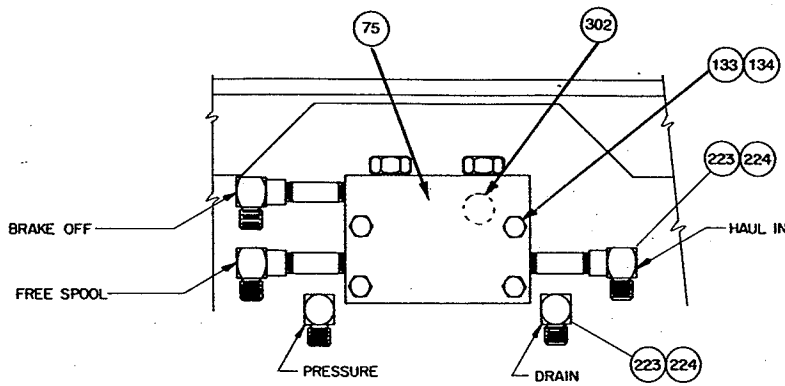


CONTROL VALVE

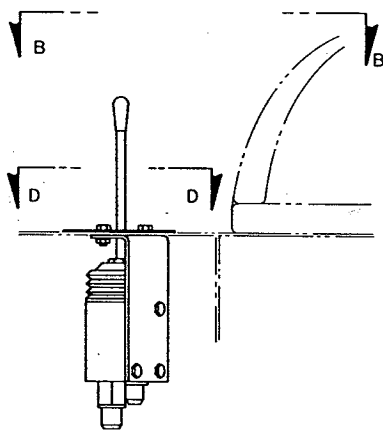
◇ Indicates total quantity of part, if all are not shown

ITEM	PART NO.	DESCRIPTION	QTY.
75	26204	MANIFOLD (HAUL-IN ONLY)	1
133	22704	CAPSCREW, HEX HEAD (3/8 - 16 NC x 2 GR 5)	4
134	13929	WASHER (3/8)	4
201	26214	VALVE	1
202	26833	BRACKET	1
203	26409	GATE PLATE	1
204	26609	PLACARD, CONTROL	1
205	27705	MOUNTING BRACKET	1
206	27711	CAPSCREW, HEX HEAD (3/8 - 16 NC x 1 1/4 G5)	2
207	27152	LOCKWASHER (3/8)	2
208	27153	NUT (3/8 - 16 NC)	2
209	27148	CAPSCREW, HEX HEAD (5/16 - 18 N x 2 3/4 GR 5)	3
210	69640	LOCKWASHER (5/16)	3
211	69644	NUT (5/16 - 18 NC)	3
212	26891	ADAPTER, STRAIGHT (INCLUDES O-RING 303)	2
213	31426	ADAPTER, 90 DEGREE	6
214	79099	ADAPTER, STRAIGHT (INCLUDES O-RING 304)	2
215	25856	ADAPTER, 90 DEGREE (INCLUDES O-RING 304)	1
216	26686	PLUG (INCLUDES O-RING)	1
217	27706	HOSE ASSEMBLY 28 IN., WINCH TO BULKHEAD	5
218	27713	HOSE ASSEMBLY 16 IN., REAR BULKHEAD - FT. BULKHEAD	5
219	27708	HOSE ASSEMBLY 36 IN., RH BULKHEAD - CONTL. VALVE	2
220	27714	HOSE ASSEMBLY 48 IN., LH BULKHEAD - CONTL. VALVE	3
221	27707	ADAPTER, STRAIGHT BULKHEAD	10
222	27706	ADAPTER - 45 DEGREE	13
223	31330	ADAPTER - 90 DEGREE	5
224	74980	PIPE NIPPLE 1/4 NPT	5
302	72097	O-RING - MANIFOLD TO ADAPTER	3
303	29350	O-RING (REF.)	2
304	72760	O-RING (REF.)	4
A	62039	HANDLE	1
B	62040	LINKAGE ASSEMBLY	1
C	62041	CENTERING SPRING ASSEMBLY	1
D	62042	CENTERING SPRING AND DETENT ASSEMBLY	1
E	62043	SPOOL O-RINGS (4 PER SET)	1

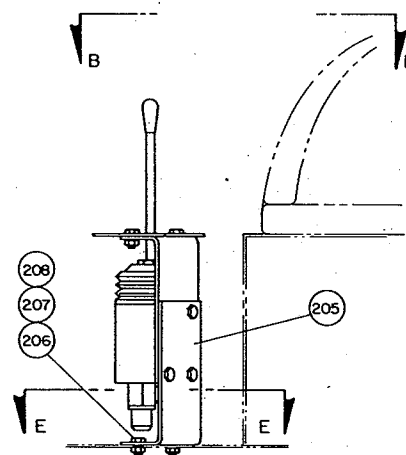
**MODEL 30PS
CONTROL GROUP - HAUL-IN ONLY
CATERPILLAR 518**



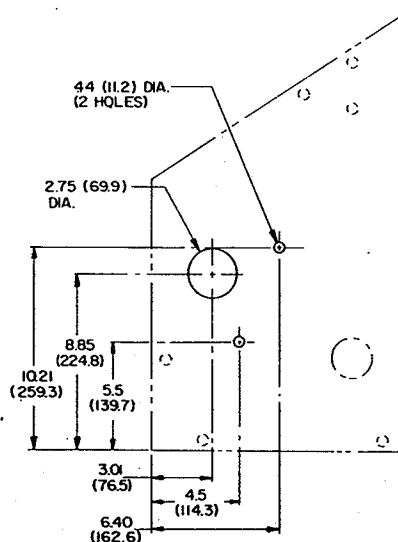
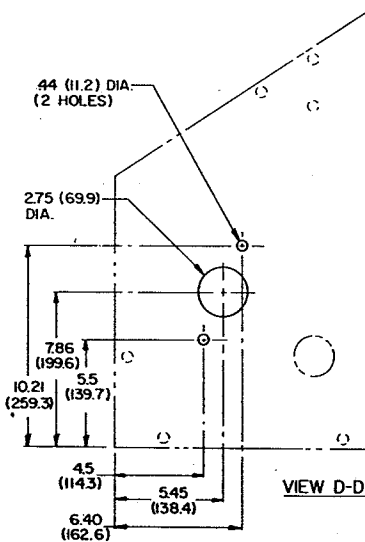
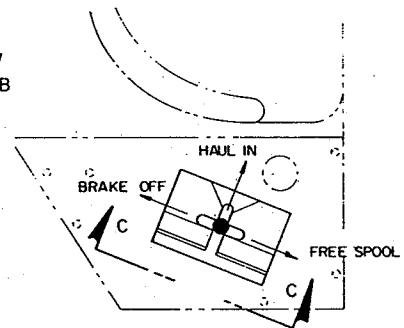
VALVE PLUMBING DIAGRAM



**VALVE MOUNTING DIAGRAM FOR
SKIDDERS WITH STATIC SEAT (STD)**



**VALVE MOUNTING DIAGRAM FOR
SKIDDERS WITH SUSPENSION SEAT (OPT)**



NOTES:

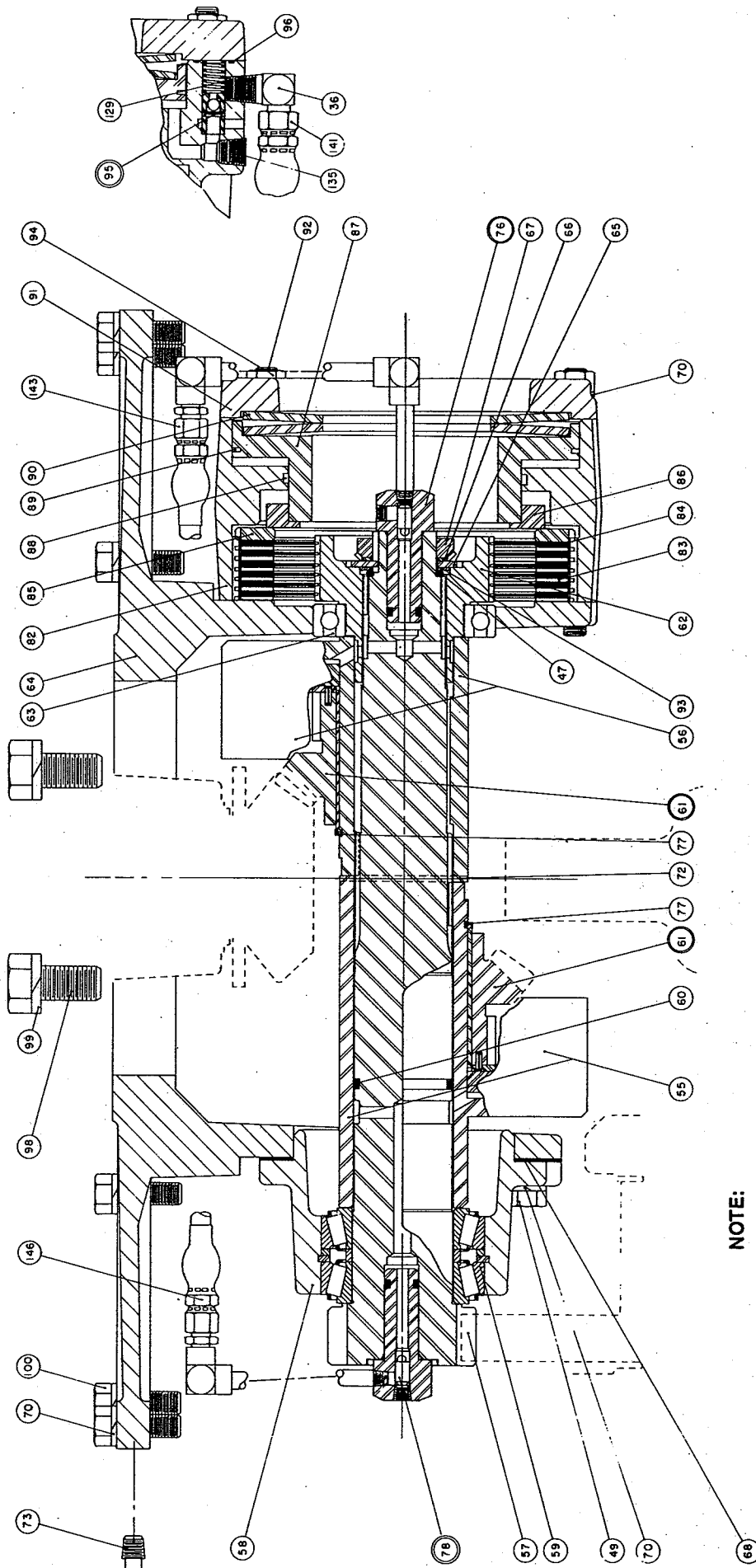
1. DIMENSIONS IN INCHES (MM).
2. APPLY COMMERCIAL THREAD SEALANT TO FITTINGS WITH PIPE THREADS.
3. DRILL $\frac{5}{8}$ " DIA. HOLES IN DRIVELINE BEARING CARRIERS, AS REQUIRED, FOR INSTALLATION OF BULKHEAD FITTINGS, ITEM 221.
4. PROVIDE HOLES IN CONSOLE COVER PLATE PER VIEW D-D OR VIEW E-E AS REQUIRED FOR PREFERRED CONTROL VALVE MOUNTING ARRANGEMENT.

**MODEL 30PS
WINCH CASE ADAPTER GROUP
CATERPILLAR 518**

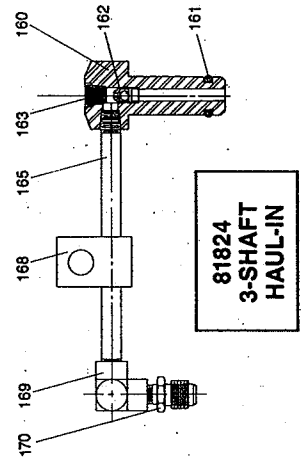
ITEM	PART NO.	DESCRIPTION	QTY.
47	21150	O-RING	1
49	13413	CAPSCREW (1/2 - 13 NC x 1 1/2 GR 5)	4
55	81778	CLUTCH ASSEMBLY	1
56	26060	SPACER	1
57	26078	CLUTCH SHAFT	1
58	26066	CLUTCH SHAFT CARRIER	1
59	70077	BEARING ASSEMBLY	1
60	72101	O-RING	1
61	81781	BEVEL GEAR, 32 STD. SPEED	1
61A	75297	ROLL PIN	1
61B	26118	BUSHING	1
62	26055	BRAKE HUB	1
63	26122	BEARING	1
64	26048	WINCH CASE ADAPTER	1
65	26152	WASHER	1
66	26219	BEARING LOCKWASHER	1
67	31073	BEARING LOCKNUT	1
68	26173	SHIM SET (4 ea. - .005, .007, .020)	1
69	13938	CAPSCREW (1/2 - 13 NC x 1 1/4 GR 5)	1
70	11026	LOCKWASHER (1/2)	6
73	19034	PLUG	26
77	26596	SNAP RING	1
78	81824	TUBE ASSEMBLY, GEAR SIDE	2
82	26052	BRAKE HOUSING	1
83	69699	DISC - STEEL WAVED	1
84	70636	DISC - FRICTION	6
85	70293	PRESSURE PLATE	6
86	26059	SPACER, BRAKE	1
87	26054	PISTON, BRAKE RELEASE	1
88	10330	O-RING	1
89	26102	RING, RUBBER	1
90	70255	SPRING, BRAKE	1
91	26053	COVER, BRAKE HOUSING	2
92	26167	STUD	1
93	26753	WASHER	4
94	26145	NUT	2
95	81765	SPOOL, BRAKE DUMP	4
96	22454	O-RING	1
98	78468	CAPSCREW (3/4 - 10 NC x 1 1/2)	4
99	13435	LOCKWASHER (3/4)	6
100	13413	CAPSCREW (1/2 - 13 NC x 1 1/2 GR 5)	6
129	26329	SPRING	12
135	70120	PLUG	1
36	31342	ELBOW, 90 DEGREE MALE	1
141	26414	HOSE ASSEMBLY (BRAKE)	1
146	26415	HOSE ASSEMBLY (HAUL-IN)	1
160	26163	HYDRAULIC TUBE	1
161	26201	O-RING	1
162	26723	HYDRAULIC TUBE DUMP PISTON	1
163	22374	PIPE PLUG (1/8")	1
165	26246	PIPE NIPPLE (1/8 x 5)	1
168	26427	GUIDE BLOCK	1
169	24524	FEMALE PIPE ELBOW	1
170	75956	MALE CONNECTOR	1

*Includes items 61A & 61B

**MODEL 30PS
WINCH CASE ADAPTER GROUP
CATERPILLAR 518**



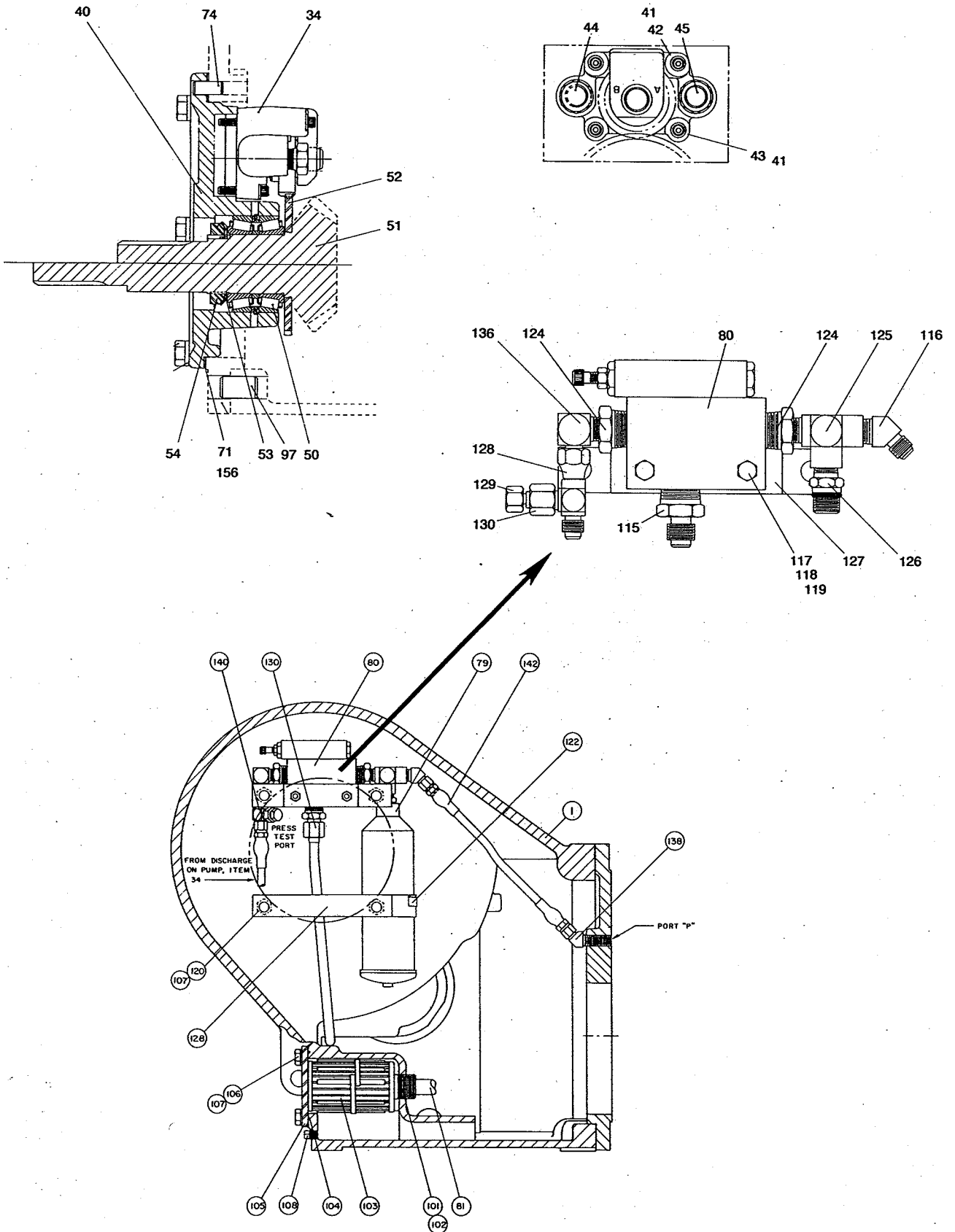
NOTE:
On 3-shaft winches, the haul-in clutch is on the gear side of the clutch shaft.



MODEL 30PS
HYDRAULIC GROUP
CATERPILLAR 518

ITEM	PART NO.	DESCRIPTION	QTY.
34	68772	PUMP	1
40	26051	CARRIER, PTO	1
41	11015	LOCKWASHER (1/4)	4
42	25866	CAPSCREW (1/4 - 20 NC x GR 8)	2
43	75231	CAPSCREW (1/4 - 20 NC x 1 1/2 GR 8)	2
44	26240	MALE CONNECTOR	1
45	26403	ELBOW, 45 DEGREE	1
50	26121	BEARING	1
51	26154	PINION GEAR, 31 (STANDARD SPEED)	1
52	69947	PUMP GEAR	1
53	26220	LOCKWASHER, BEARING	1
54	22366	LOCKNUT, BEARING	1
71	26172	SHIM SET - PTO CARRIER (2 ea. - .005, .007, .020)	1
74	10318	DOWEL PIN	1
79	32377	ACCUMULATOR	1
80	26203	UNLOADING VALVE	1
81	26231	SUCTION TUBE	1
97	26667	DOWEL PIN	1
101	26164	NIPPLE	1
102	24429	O-RING	1
103	70189	SUCTION STRAINER	1
104	21283	O-RING	1
105	26174	STRAINER COVER	1
106	22697	CAPSCREW (1/2 - 13 NC x 1 GR 5)	4
107	11026	LOCKWASHER (1/2)	8
108	23377	PLUG	1
115	31305	MALE CONNECTOR	1
116	31335	ELBOW, 45 DEGREE MALE	1
117	21469	CAPSCREW (5/16 - 18 NC x 2 1/4)	2
118	11771	NUT (5/16 - 18 NC)	2
119	11024	LOCKWASHER (5/16)	2
120	23583	JAM NUT (1/2 - 13 NC)	4
122	31006	CLAMP	1
124	26297	REDUCER, PIPE	2
125	26298	TEE ADAPTER, PIPE	1
126	26299	ADAPTER WITH O-RING	1
127	26300	BRACKET	1
128	26301	BRACKET	1
128	32254	TEE, SWIVEL NUT	1
129	70182	CAP NUT	1
130	27452	REDUCER ADAPTER	1
130	26402	TUBE, LUBRICATION	1
136	31343	ELBOW, 90 DEGREE MALE	1
138	31334	ELBOW, 45 DEGREE MALE	1
140	26411	HOSE ASSEMBLY	1
142	26413	HOSE ASSEMBLY	1
156	26341	GASKET - PTO CARRIER	1

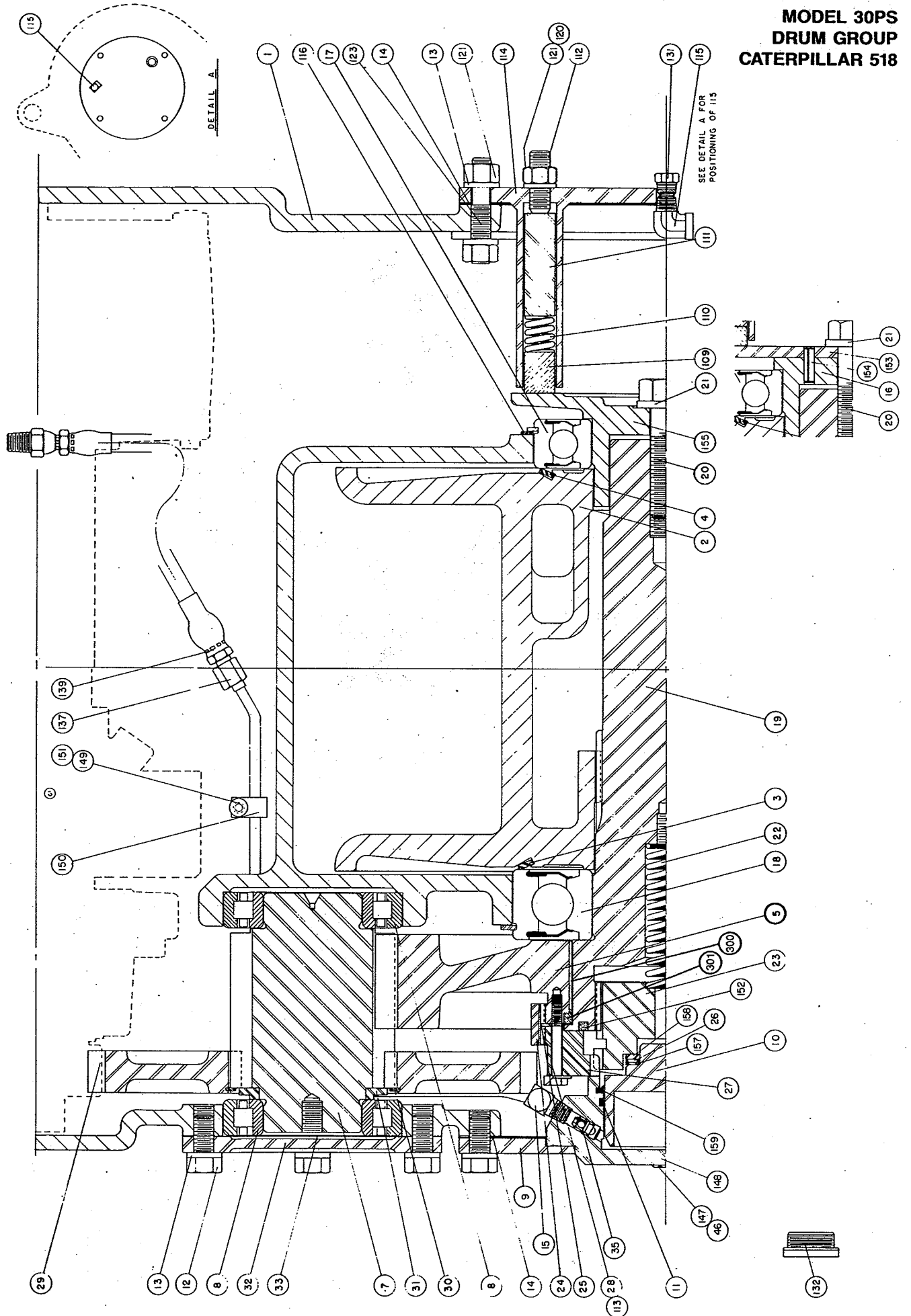
**MODEL 30PS
HYDRAULIC GROUP
CATERPILLAR 518**



**MODEL 30PS
DRUM GROUP
CATERPILLAR 518**

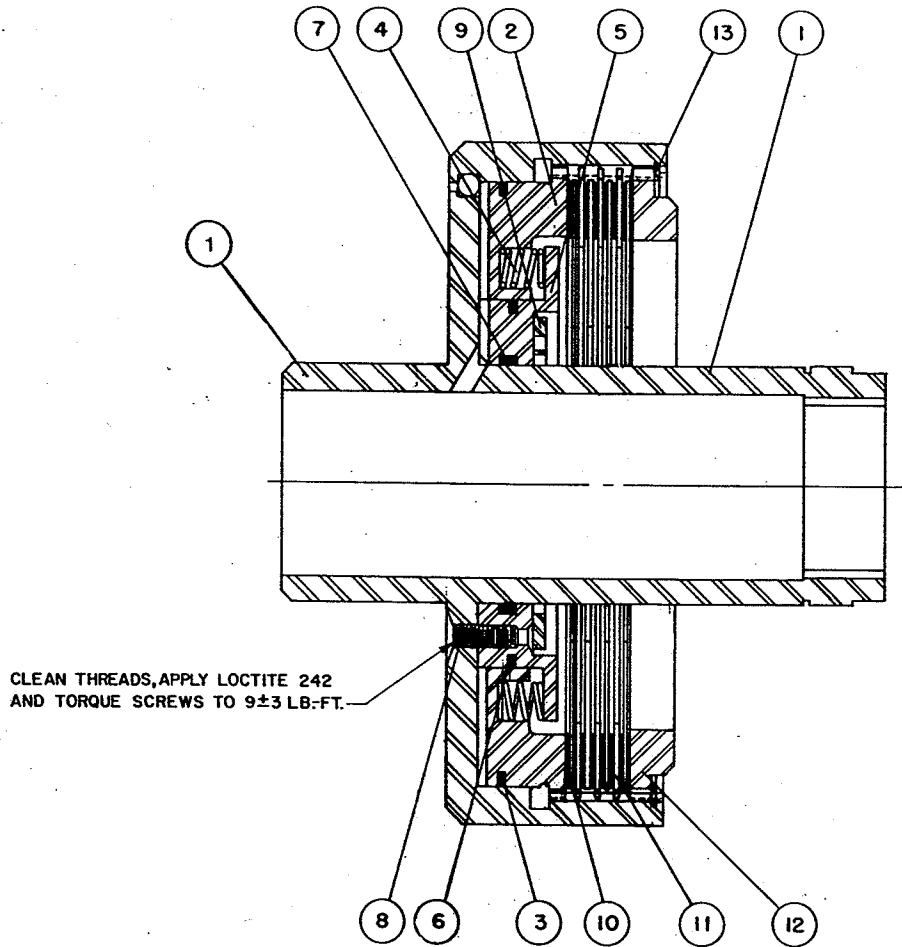
ITEM	PART NO.	DESCRIPTION	QTY.
1	26047	HOUSING	1
2	26050	CABLE DRUM	1
3	26100	RUBBER RING	1
4	26101	RUBBER RING	1
5	26057	BULL GEAR ASSEMBLY (INCLUDES ITEMS 300 & 301)	1
7	26779	INTERMEDIATE GEAR	1
8	26116	BEARING	2
9	27379	COVER, GEAR SIDE	1
10	27378	PISTON	1
11	69858	O-RING	1
12	22697	CAPSCREW (1/2 - 13 NC x 1 GR 5)	8
13	11073	WASHER (1/2)	12
14	26171	GASKET, COVER	2
15	21163	ELBOW	1
16	26056	SPINDLE, DRUM (EARLY PRODUCTION)	1
17	26115	BEARING	1
18	26114	BEARING	1
19	26077	SHAFT, DRUM	1
20	24831	CAPSCREW (3/4 - 10 NC x 3 GR 5) (EARLY PRODUCTION)	1
20	78453	CAPSCREW (3/4 - 10 NC x 2 1/2 GR 5) (FOR USE WITH ITEM 155)	1
21	13435	LOCKWASHER (3/4)	1
22	27387	SPRING	1
23	27380	SPOOL GEAR	1
24	26070	GEAR COUPLING	1
25	26150	RETAINING RING	1
26	24305	BEARING, THRUST	1
27	27382	COLLAR GEAR	1
28	21462	CAPSCREW (1/4 - 20 NC x 2)	6
29	26777	GEAR	1
30	26775	RETAINING RING	1
31	26776	SPACER	1
32	26109	COVER PLATE	1
33	26170	GASKET	1
35	81913	DUMP VALVE SPOOL	1
46	22693	CAPSCREW (5/8 - 16 NC x 3/4 GR 5)	3
109	27321	DRAG BRAKE PAD	2
110	26139	SPRING	1
111	26162	SPACER BAR	1
112	26151	SOCKET HEAD SET SCREW (1/2 - 13 NC x 1 3/4)	1
113	26652	CAPSCREW LOCKING PLATE	1
114	26112	BRAKE SIDE COVER PLATE	1
115	13708	90° STREET ELBOW	1
116	27476	DRUM BEARING SHIM	1
120	72144	SEAL WASHER (1/2)	1
121	11899	NUT (1/2 - 13 NC)	5
123	26296	STUD (1/2 - 13 NC x 2 1/2 GR 5)	4
131	69777	BREATHER	1
132	26353	FILLER PLUG	1
137	27326	FREESPOOL OIL TUBE	1
139	26412	HOSE ASSEMBLY	1
147	26649	SEAL WASHER (3/8)	3
148	27381	CYLINDER	1
149	26659	NUT (1/4 - 20 NC)	1
150	30990	CLIP	1
151	22727	CAPSCREW (1/4 - 20 NC x 1/2)	1
152	27550	FELT SEAL	1
153	26709	DISC, DRAG (EARLY PRODUCTION)	1
154	70862	ROLL PIN (EARLY PRODUCTION)	1
155	26969	SPINDLE ADAPTER (REPLACES ITEMS 16, 153 & 154)	1
157	24306	THRUST WASHER	1
158	73294	THRUST RACE	1
159	27420	ROD WIPER SEAL	1
300	26119	BUSHING	1
301	27496	THRUST RING, BRONZE	1

**MODEL 30PS
DRUM GROUP
CATERPILLAR 518**



EARLY PRODUCTION

**MODEL 30PS
CLUTCH ASSEMBLY
CATERPILLAR 518**



ITEM	PART NO.	DESCRIPTION	QTY.
1	26062	CLUTCH HOUSING (HAUL-IN, 3-SHAFT)	1
2	26065	CLUTCH PISTON	1
3	26103	RUBBER RING	1
4	26137	SPRING	8
5	26554	CLUTCH PILOT	1
6	26104	RUBBER RING	1
7	72103	O-RING	1
8	21333	MACHINE SCREW	3
9	26117	THRUST WASHER	1
10	70636	FRICTION DISC	4
11	69699	WAVED DISC	3
12	26699	PRESSURE PLATE	1
13	26147	RETAINING RING	1