

PARTS LIST SECTION
CARCO MODEL 120 - PSM AND PSC WINCH
WITH INTERNAL HYDRAULICS
 FOR
CATERPILLAR 583H AND 583K PIPELAYER

	Page
BEVEL GEAR SHAFT.	16-17
BEVEL GEAR AND BEVEL PINION CARRIER ASSEMBLY (PS)	NOT CURRENTLY AVAILABLE
BEVEL GEAR AND BEVEL PINION CARRIER ASSEMBLY (PSM & PSC)	21
BRAKE CONTROL (PS, SPRING APPLIED).	NOT CURRENTLY AVAILABLE
BRAKE CONTROL (PS, WITH 2 IN 1 INCHING BRAKE)	28
BRAKE CONTROL (PS, WITH HEAVY DUTY BRAKE ASSEMBLY)	29
BRAKE CONTROL (PSM AND PSC, MANUAL)	30
BRAKE CYLINDER	31
BRAKE SHAFT, BRAKE BAND AND LINING	23
CLUTCH.	18
CONTROL GROUP (CONTROL STANDS, CONTROL CABLES, PRESSURE GAUGES)	4, 5, 6, 7
CONTROL STAND COMPONENTS (POWER SHIFT)	33
CONTROL STAND COMPONENTS (PSM AND PSC, MANUAL, INCHING BRAKE, HEAVY DUTY BRAKE)	34-35
CONTROL VALVE.	10-11
DRUM SHAFT (STANDARD AND HI CAP)	26
FAIRLEAD	36
HYDRAULIC TUBING AND FITTINGS.	12-13
IDLER SHAFT (STANDARD)	24
IDLER SHAFT (WITH HEAVY DUTY BRAKE ASSEMBLY).	25
MOUNTING GROUP (PTO SHAFT, STUDS, CAP SCREWS)	3
PUMP GROUP (PUMP, TUBING, FILTER)	14-15
PRESSURE GAUGE KIT COMPONENTS	32
WINCH CASE.	8-9

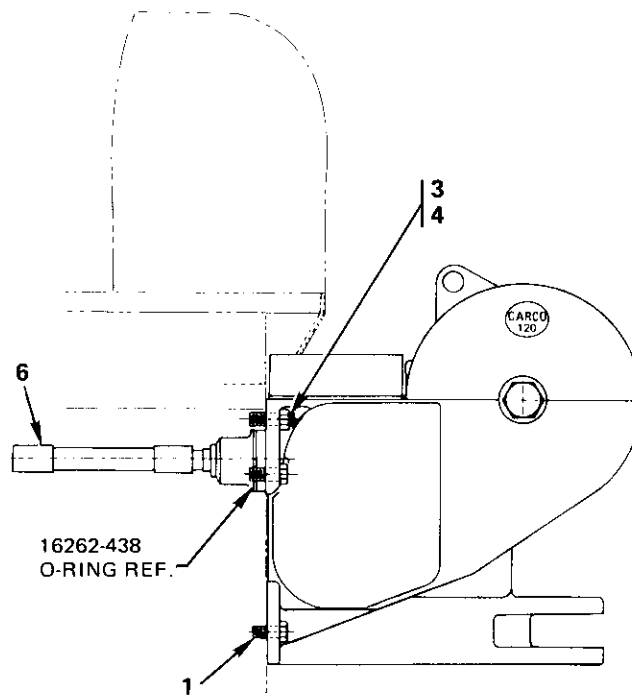
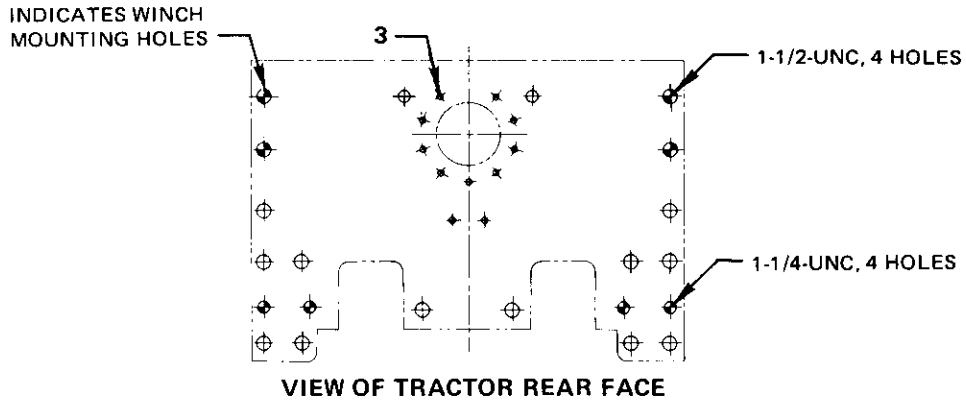
Note: Purchased parts, such as bearings and oil seals may be substituted with parts of equal quality on the manufacturer's recommendation, and with the approval of Pacific Car and Foundry Company.

ATTENTION: Be sure to give correct part number, part name and complete serial number of winch when ordering. Also name and model of the tractor on which the winch is mounted.

CARCO
 WINCH PRODUCTS

PACIFIC CAR AND FOUNDRY COMPANY • A DIVISION OF **PACCAR**
 1400 NORTH FOURTH STREET, RENTON, WASHINGTON 98055 U.S.A.
 TELEPHONE: (206) 235-2799 TELEX 32-8942

CARCO MODEL 120-PSM & PSC WINCH
 MOUNTING GROUP PARTS LIST—PAGE 3
 CATERPILLAR 583H & 583K PIPELAYER



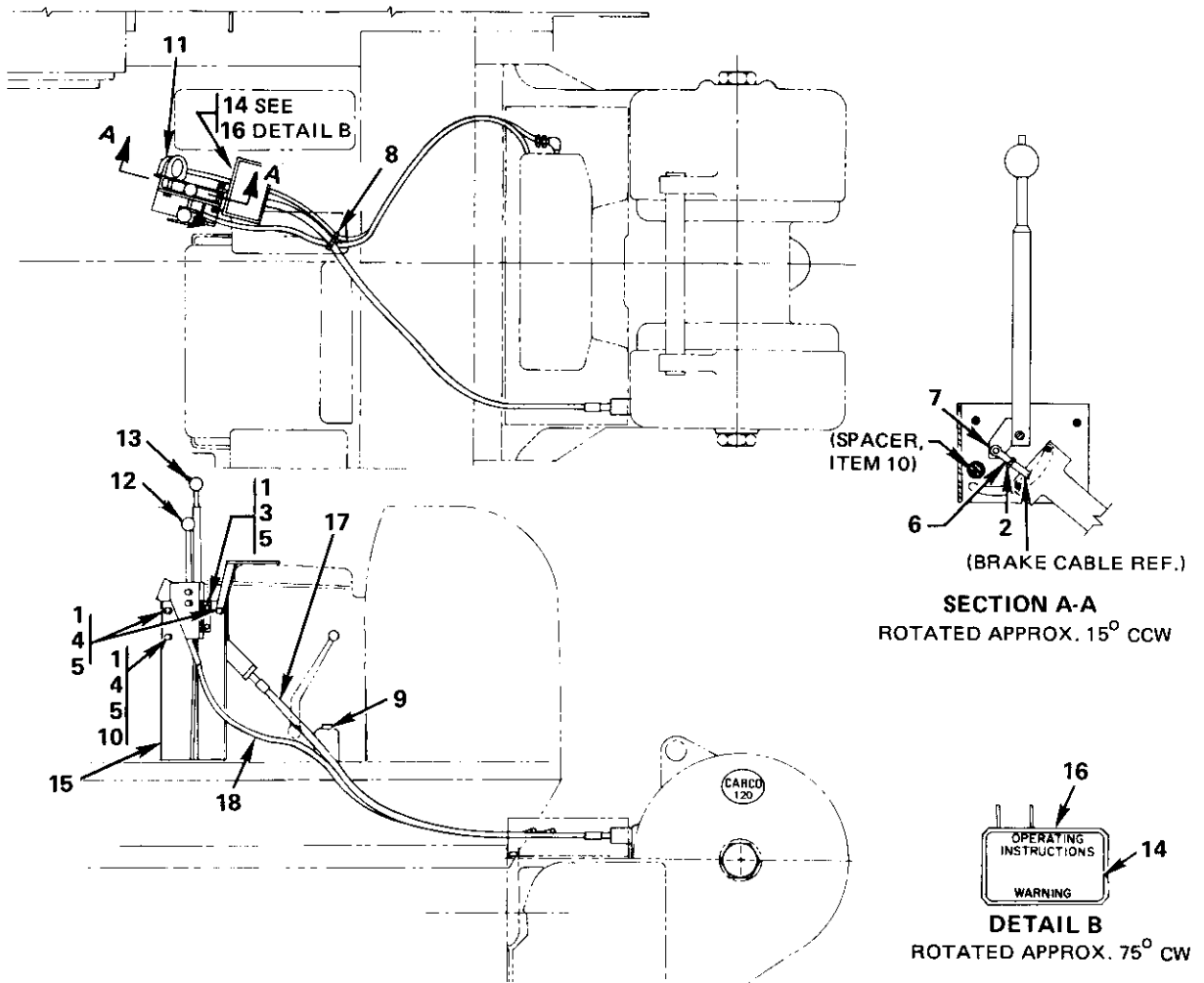
MOUNTING GROUP NO. 52600

REF.	CARCO PART NO.	NAME AND DESCRIPTION	QUAN. PER UNIT
1	16047-2022	Cap Screw, 1-1/4 UNC x 2-3/4 H.H.	4
2	16047-2424	Cap Screw, 1-1/2 UNC x 3 H.H.	2
3	16220-6	Closure, Caplug 5X Type A	9
4	16400-24	Nut, 1-1/2 UNC Hex	2
5	45054-2435	Stud	2
6	45765-4	PTO Shaft Assembly	1

CARCO MODEL 120-PS WINCH
CONTROL GROUP PARTS LIST—PAGE 4
CATERPILLAR 583H & 583K PIPELAYER

POWER SHIFT WINCH WITH HYDRAULIC RELEASED SPRING APPLIED BRAKE
NOT CURRENTLY AVAILABLE

CARCO MODEL 120-PSM & PSC WINCH
 CONTROL GROUP PARTS LIST—PAGE 5
 CATERPILLAR 583H & 583K PIPELAYER

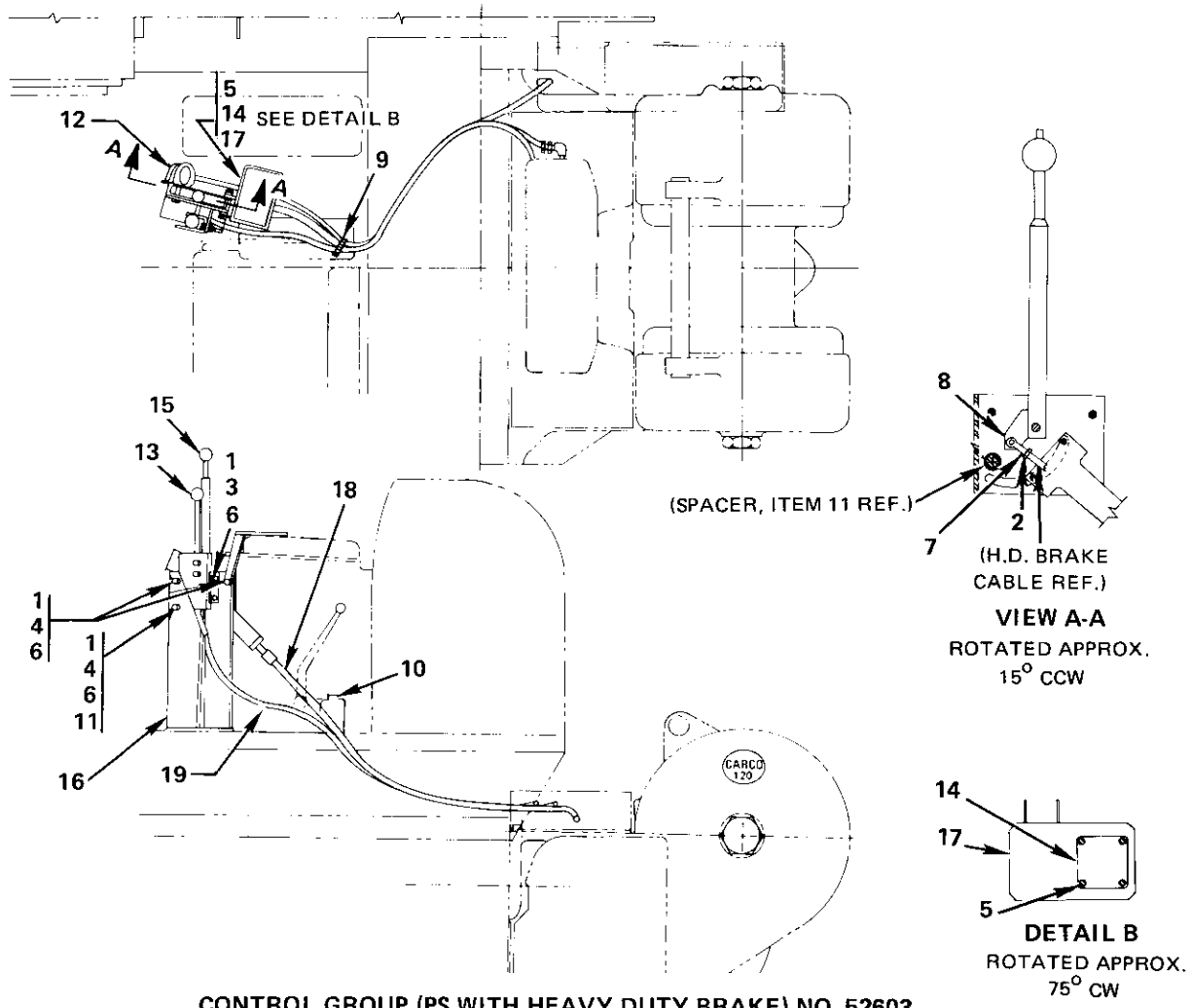


CONTROL GROUP (PS WITH 2 IN 1 INCHING BRAKE) NO. 52601

REF.	CARCO PART NO.	NAME AND DESCRIPTION	QUAN. PER UNIT
1	16033-6	Nut, 3/8 UNC Hex	5
2	16044-6	Jam Nut, 3/8 UNF Hex	1
3	16047-608	Cap Screw, 3/8 UNC x 1 H.H.	2
4	16047-620	Cap Screw, 3/8 UNC x 2-1/2 H.H.	3
5	16067-6	Lock Washer, 3/8	5
6	16245-6	Yoke, CLEVELAND 2708-4A	1
7	16246-6	Pin Assembly, CLEVELAND 2708-1/2-4A	1
8	16459-1	Retaining Strap, ADEL 668-4-8-DR	1
9	45418-12	Trim	1
10	46126-610	Spacer	1
11	48700-120	Pressure Gauge Kit	1
12	49001-1	Control Stand, Power Shift	1
13	49434-6	Control Stand, Brake	1
14	49984	Instruction Plate	1
15	50393	Control Stand Bracket	1
16	50394	Instruction Plate Bracket	1
17	48850-84	Control Cable, Brake	1
18	52000-078	Control Cable, Power Shift	1

NOTE: See page 28 for brake control group.

CARCO MODEL 120-PSM & PSC WINCH
 CONTROL GROUP PARTS LIST—PAGE 6
 CATERPILLAR 583H & 583K PIPELAYER

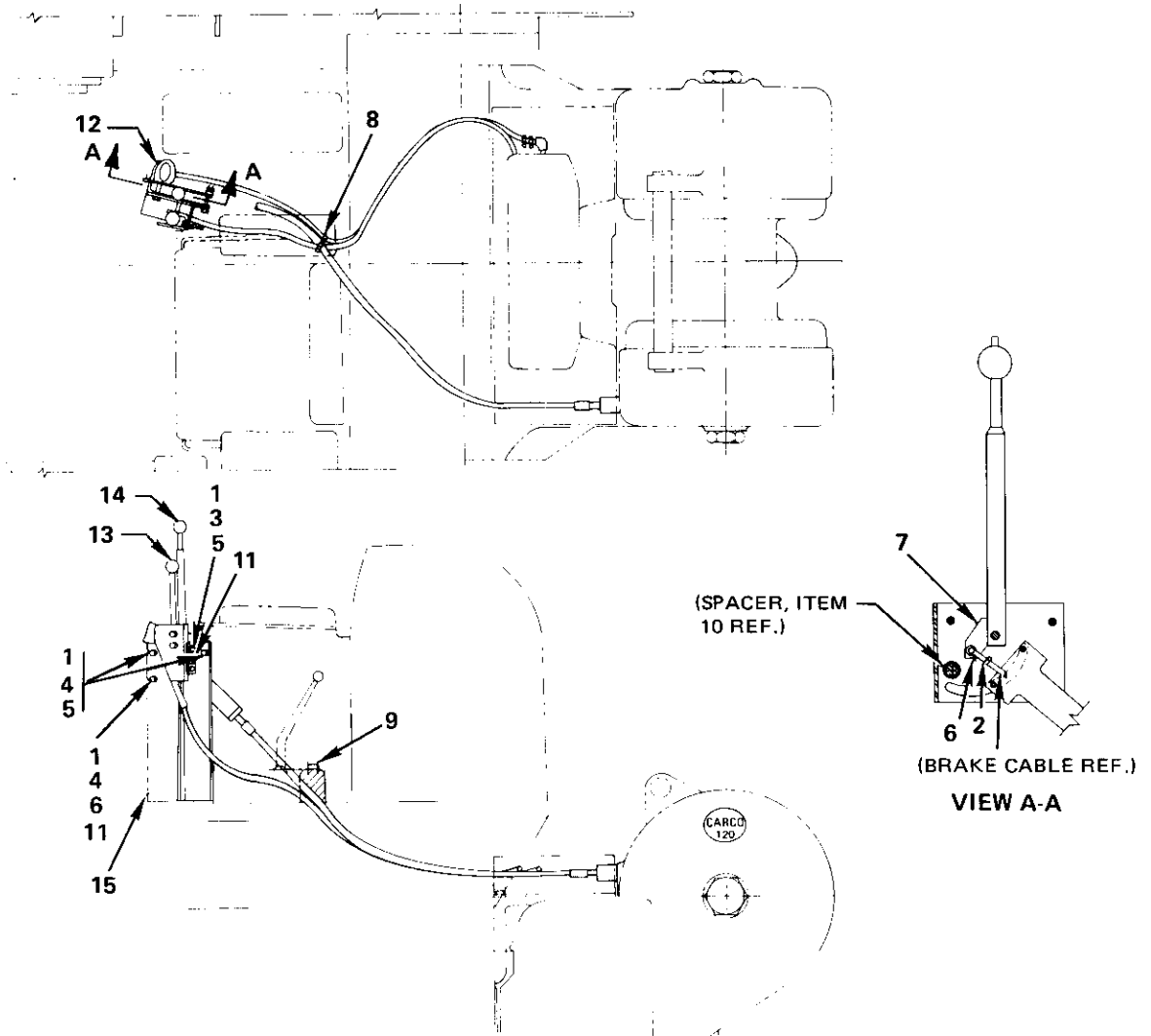


CONTROL GROUP (PS WITH HEAVY DUTY BRAKE) NO. 52603

REF.	CARCO PART NO.	NAME AND DESCRIPTION	QUAN. PER UNIT
1	16033-6	Nut, 3/8 UNC Hex	5
2	16044-6	Jam Nut, 3/8 UNF Hex	1
3	16047-608	Cap Screw, 3/8 UNC x 1 H.H.	2
4	16047-620	Cap Screw, 3/8 UNC x 2-1/2 H.H.	3
5	16055-5	Drive Screw, #10 x 3/8 Type U	4
6	16067-6	Lock Washer, 3/8	5
7	16245-6	Yoke, CLEVELAND 2708-4A	1
8	16246-6	Pin Assembly, CLEVELAND 2708-1/2-4A	1
9	16459-1	Retaining Strap, ADEL 668-4-8-DR	1
10	45418-12	Trim	1
11	46126-610	Spacer	1
12	48700-120	Pressure Gauge Kit	1
13	49001-1	Control Stand, Power Shift	1
14	49073	Instruction Plate	1
15	49434-8	Control Stand, Brake	1
16	50393	Control Stand Bracket	1
17	50394	Instruction Plate Bracket	1
18	48850-84	Control Cable, Heavy Duty Brake	1
19	52000-078	Control Cable, Power Shift	1

NOTE: See page 29 for brake control group.

CARCO MODEL 120-PSM & PSC WINCH
 CONTROL GROUP PARTS LIST—PAGE 7
 CATERPILLAR 583H & 583K PIPELAYER

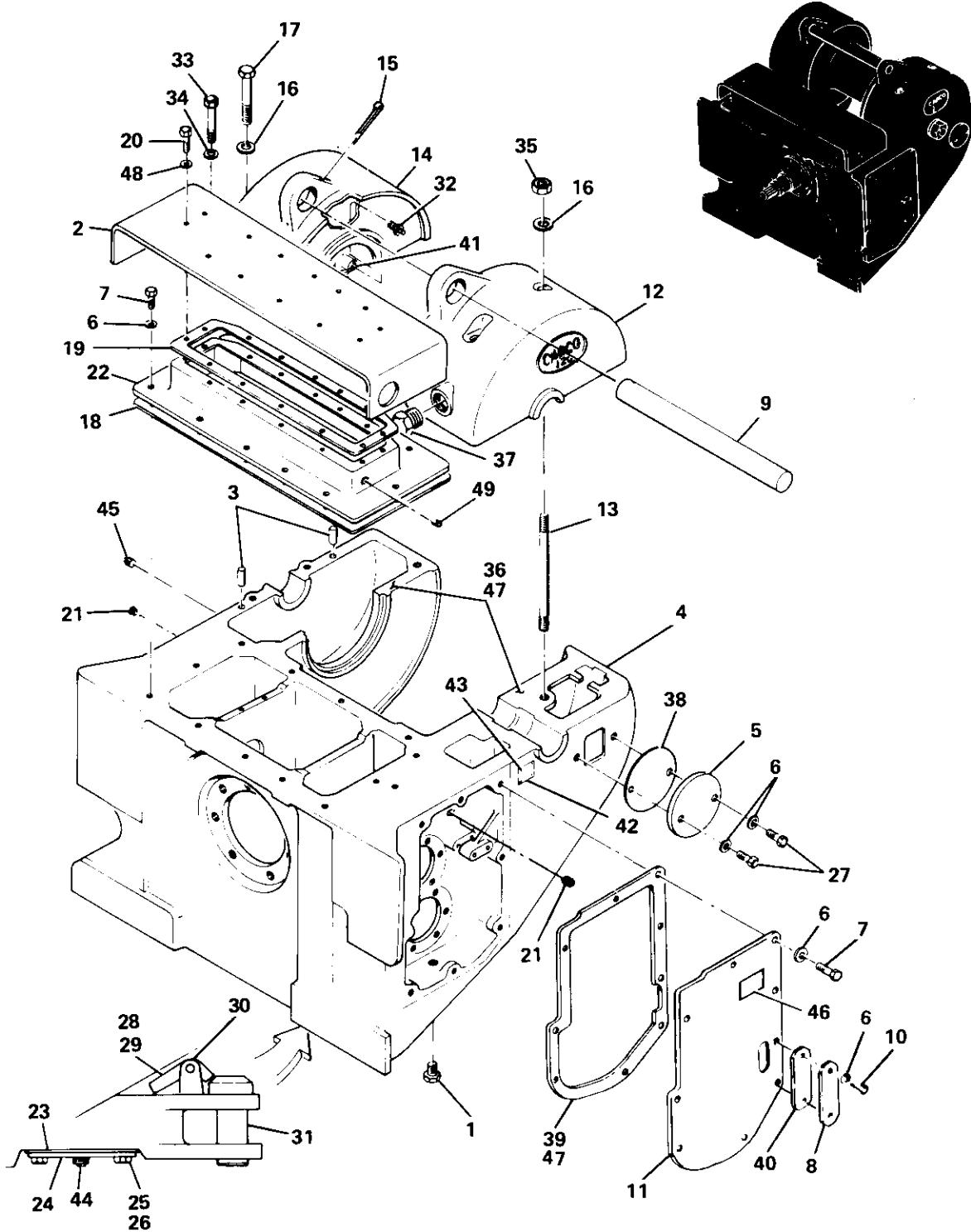


CONTROL GROUP (PSM & PSC WITH MANUAL BRAKE) NO. 52602

REF.	CARCO PART NO.	NAME AND DESCRIPTION	QUAN. PER UNIT
1	16033-6	Nut, 3/8 UNC Hex	5
2	16044-6	Jam Nut, 3/8 UNF Hex	1
3	16047-608	Cap Screw, 3/8 UNC x 1 H.H.	2
4	16047-620	Cap Screw, 3/8 UNC x 2-1/2 H.H.	3
5	16067-6	Lock Washer, 3/8	5
6	16245-6	Yoke, CLEVELAND 2708-4A	1
7	16246-6	Pin Assembly, CLEVELAND 2708-1/2-4A	1
8	16459-1	Retaining Strap, ADEL 668-4-8-DR	1
9	45418-12	Trim	1
10	46126-610	Spacer	1
11	48682	Warning Plate	1
12	48700-120	Pressure Gauge Kit	1
13	49001-1	Control Stand, Power Shift	1
14	49434-8	Control Stand, Brake	1
15	50393	Control Stand Bracket	1
16	48850-84	Control Cable, Brake	1
17	52000-078	Control Cable, Power Shift	1

NOTE: See page 30 for brake control group.

CARCO MODEL 120-PSM & PSC WINCH
 PARTS LIST SECTION—PAGE 8
 WINCH CASE
 CATERPILLAR 583H & 583K PIPELAYER



WINCH CASE

CARCO MODEL 120-PSM & PSC WINCH
PARTS LIST SECTION--PAGE 9
WINCH CASE
CATERPILLAR 583H & 583K PIPELAYER

REF.	CARCO PART NO.	NAME AND DESCRIPTION	QUAN. PER UNIT
1	16169-8	Plug, 1/2 NPT Sq. Hd.	1
2	51167	Valve Housing Cover	1
3	16290-2016	Dowel Pin, 5/8 x 1	2
* 4	51910	Case Complete (includes items 12 and 14)	1
5	42048	Cover	1
6	16064-10	Washer, 5/8	23
7	16047-1010	Cap Screw, 5/8 UNC x 1-1/4 H.H.	19
8	44817	Cover	1
9	49043-3	Cable Guard (includes item 15)	1
10	16047-1012	Cap Screw, 5/8 UNC x 1-1/2 H.H.	2
11	50654	Brake Side Cover	1
* 12	40109	Brake Case Cover	1
13	45050-2059	Stud	2
* 14	40108	Gear Case Cover	1
15	16288-1272	Cotter Pin, 3/8 x 4-1/2	1
16	16064-20	Washer, 1-1/4	4
17	16047-2028	Cap Screw, 1-1/4 UNC x 3-1/2 H.H.	2
18	51146	Gasket	1
19	51535	Gasket	1
20	16047-608	Cap Screw, 3/8 UNC x 1 H.H.	14
21	16167-6	Plug, 3/8 NPT Hex Soc.	2
22	Ref. Only	Housing (see page 11 item 7)	1
23	51951	Filter Cover Gasket	1
24	51952	Filter Cover	1
25	16047-812	Cap Screw, 1/2 UNC x 1-1/2 H.H.	14
26	16067-8	Lock Washer, 1/2	14
27	16047-1008	Cap Screw, 5/8 UNC x 1 H.H.	2
28	16246-8	Yoke Pin Assembly, CLEVELAND 2708-1/2-6A	1
29	52085	Latch	1
30	52084	Support Bracket	1
31	52038	Draw Bar Pin	1
32	16249-1	Relief Plug, ALEMITE 317400	1
33	16047-1424	Cap Screw, 7/8 UNC x 3 H.H.	4
34	16064-14	Washer, 7/8	4
35	16033-20	Nut, 1-1/4 UNC Hex	2
** 36	See Below	Gasket (see note below)	1
37	16220-38	Plug, WHITE 1604-136-Y	1
38	44833	Gasket	1
** 39	See Below	Gasket (see note below)	1
40	44813	Gasket	1
41	16150-2	Elbow, 1/8 NPT 90° Street	1
42	16055-5	Drive Screw, *10 x 3/8 Type U	4
43	52126	Name Plate	1
44	16168-16	Plug, 1 NPT Mag. Sq. Hd.	1
45	16169-20	Plug, 1/4 NPT Sq. Hd.	1
*** 46	See Below	Instruction Plate	1
** 47	16453-5	Sealant, (not shown) DOW-CORNING Silastic RTV 732, 5 oz. Tube	1
48	16064-6	Washer, 3/8	14
49	16525-0024	Pipe Plug, HITACHI 81-40576 Slotted Sq. Hd.	1

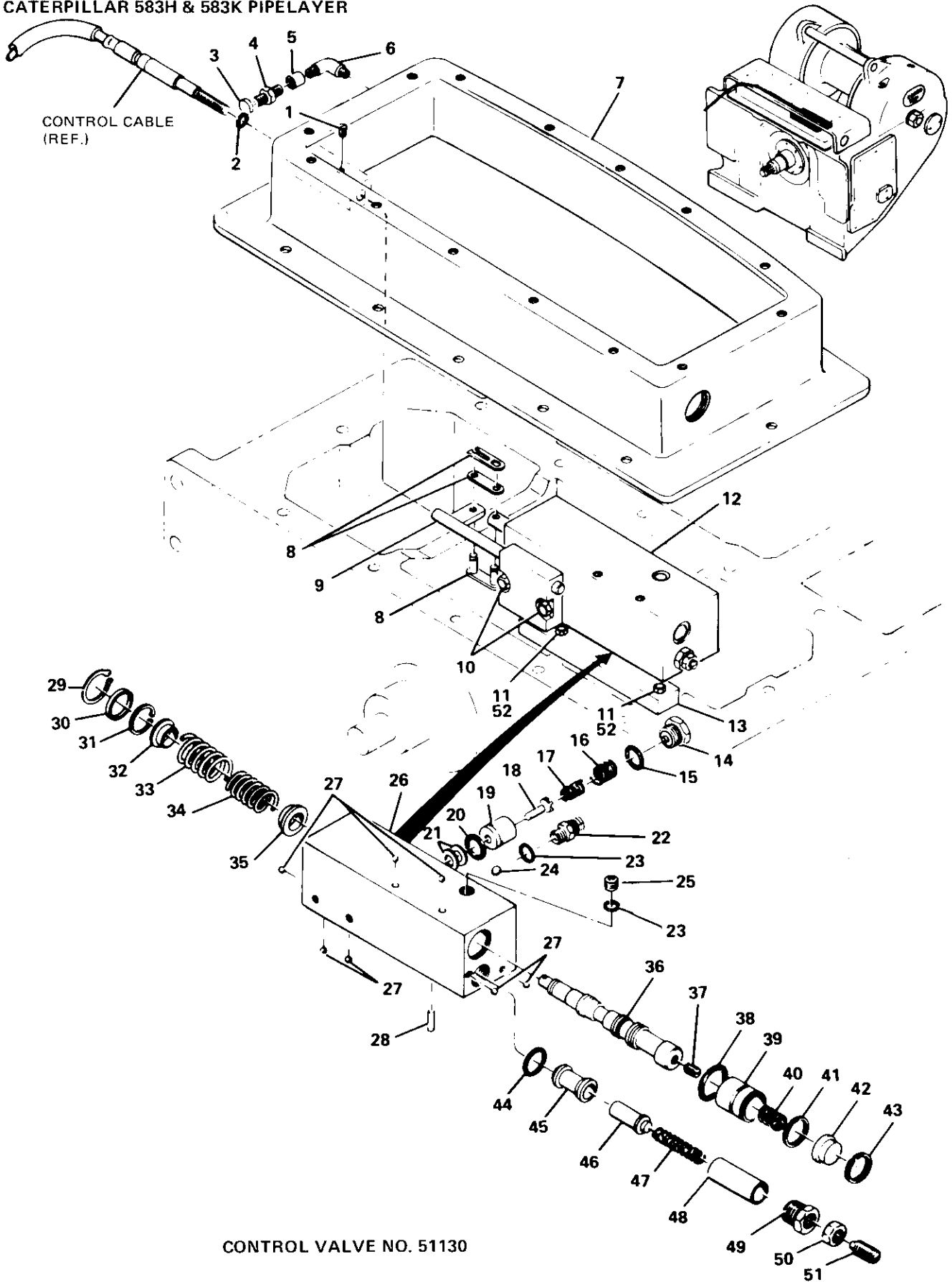
*Items 4, 12, and 14 cannot be ordered separately.

**Model 120 Winches do not use a gasket. Use Silastic Sealer #732RTV, item 47 or equivalent to seal items 11, 12, 14 and 39 to case.

***49044 Instruction Plate, PS Winches

48684 Instruction Plate, PSM, PSC & PS/IB Winches

CARCO MODEL 120-PSM & PSC WINCH
 PARTS LIST SECTION—PAGE 10
 CONTROL VALVE
 CATERPILLAR 583H & 583K PIPELAYER



CARCO MODEL 120-PSM & PSC WINCH
PARTS LIST SECTION—PAGE 11
CONTROL VALVE
CATERPILLAR 583H & 583K PIPELAYER

REF.	CARCO PART NO.	NAME AND DESCRIPTION	QUAN. PER UNIT	
1	16056-612	Set Screw, 3/8 UNC x 3/4 Hex Soc. Cup Pt.	1	
2	16262-115	O-Ring, NAT'L. 622713	1	
3	16445-4	Cap Nut, AEROQUIP 21029-4	1	
4	16129-44	Connector, WTHRD. C5205 x 4 x 4	1	
5	16362-44	Snubber, CHEMIQUIP 25B-D	1	
6	16171-44	Elbow, WTHRD. 3400 x 4	1	
7	51126-120	Valve Housing	1	
8	16364-2040	Connecting Link, ANSI 2040	1	
9	51865	Cable Guide	1	
10	16047-610	Cap Screw, 3/8 UNC x 1-1/4 H.H.	2	
11	16047-612	Cap Screw, 3/8 UNC x 1-1/2 H.H.	2	
12	51130	Control Valve	1	
13	51698-2	Support Assembly	1	
14	51883-1	Retainer Assembly	1	
15	16262-912	O-Ring, NAT'L. 600501	1	
16	51894	Spring	1	
17	52392	Spring	1	
18	51164	Accumulator Check Piston	1	
19	51886	Seat	1	
20	16262-116	O-Ring, NAT'L. 622714	1	
21	51881-10	Shim Set	1	
22	52289	Connector (Also shown on page 13)	1	
23	16262-908	O-Ring, NAT'L. 600503 (Also shown on page 13)	2	
24	16471-8	Ball Check, Nylon Type 101 (Shown on page 13)	1	
25	16496-8	Plug, PARKER 8HP50N-2	1	
*	26	51128	Valve Body	1
	27	16217-8	Steel Ball, 1/2	7
	28	16290-814	Dowel Pin, 1/4 x 7/8	1
	29	16314-150	Retaining Ring, TRUARC N5000-150	1
	30	45622	Washer	1
	31	16313-75	Retaining Ring, TRUARC 5100-75	1
	32	45623	Spring Stop	1
	33	45549	Outer Spring	1
	34	45548	Inner Spring	1
	35	44259-1	Spring Stop	1
*	36	51127	Valve Spool (See note and kit No. below)	1
	37	16057-608	Set Screw, 3/8 UNF x 1/2 Hex Soc. Cup Pt.	1
	38	16262-215	O-Ring, NAT'L. 622720	1
*	39	45855	Piston (See note and kit No. below)	1
	40	45857	Spring	1
	41	16308-131	Retaining Ring, SPIROLOX RS-131	1
	42	51154	Spring Stop	1
	43	16305-157	Retaining Ring, SPIROLOX RR-157	1
	44	16262-210	O-Ring, NAT'L. 622715	1
**	45	51131	Relief Valve Seat	1
**	46	51134	Relief Valve Piston	1
	47	52719	Spring, LEMPCO 9-1016-2	1
**	48	51132	Relief Valve Tube	1
	49	51133	Retaining Screw	1
	50	16044-12	Jam Nut, 3/4 UNF Hex	1
	51	51135	Adjusting Screw	1
	52	16064-6	Washer, 3/8	2

*Items 26, 36 and 39 not serviced separately. Order 51130 Control Valve.

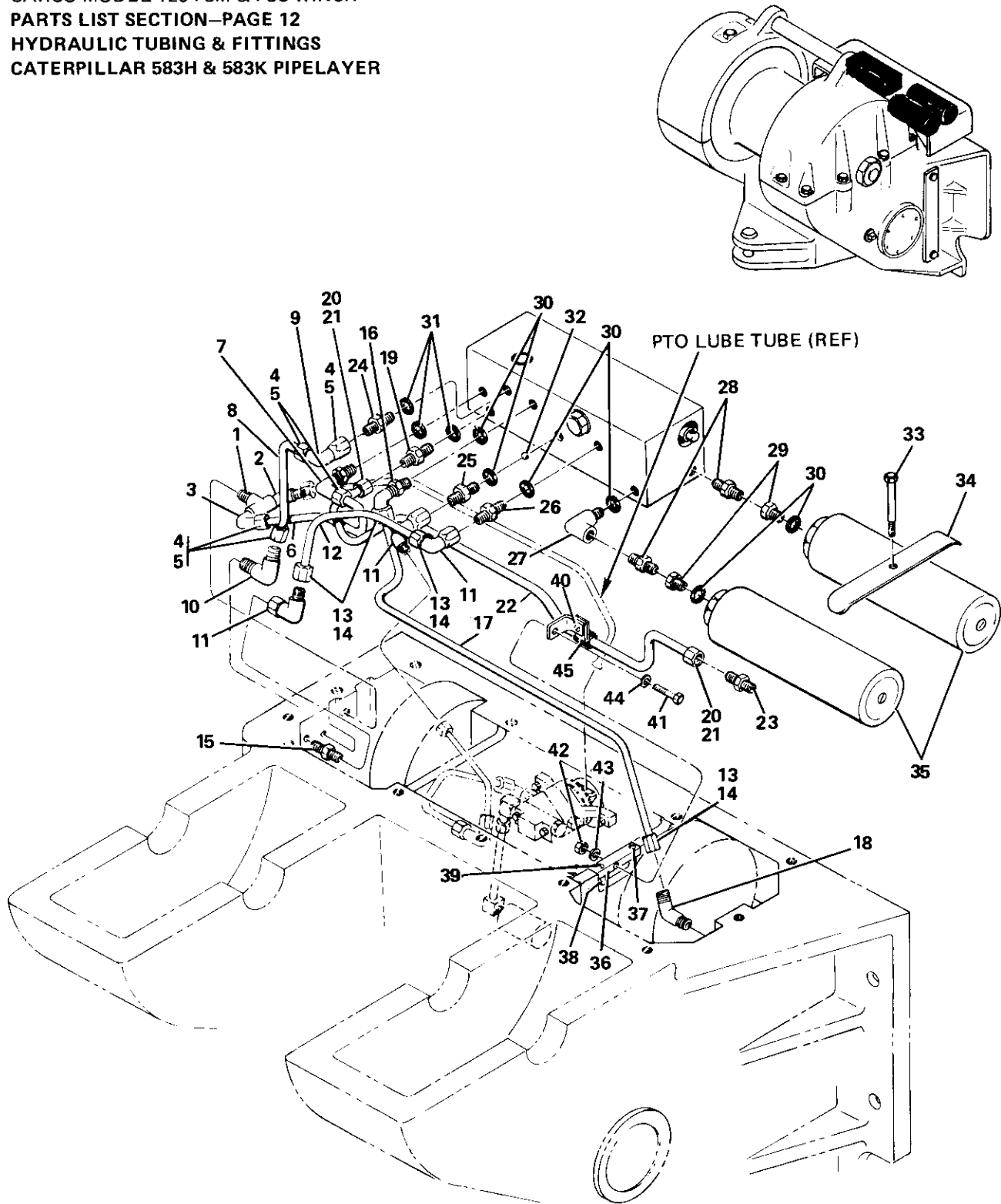
**Available in kit only. See No. 52652 kit below.

NOTE: To service valve spool, order repair kit No. 52651 consisting of items 24, 29, 31, 33, 34, 37, 38, 40, 41 and 43.

To service relief valve, order repair kit No. 52652 consisting of items 44, 45, 46, 47 and 48.

To service accumulator check valve, order repair kit No. 52653 consisting of items 15, 16, 17, 18, 19, 20 and 21.

CARCO MODEL 120-PSM & PSC WINCH
 PARTS LIST SECTION—PAGE 12
 HYDRAULIC TUBING & FITTINGS
 CATERPILLAR 583H & 583K PIPELAYER



**NOTE: PUMP MOUNTED ON BRAKE SIDE, NO. 51341-3.
 BEVEL GEAR INSTALLED ON GEAR SIDE OF BEVEL PINION.
 BEVEL PINION ROTATION IS C.C.W. AS VIEWED FROM REAR
 OF TRACTOR.**

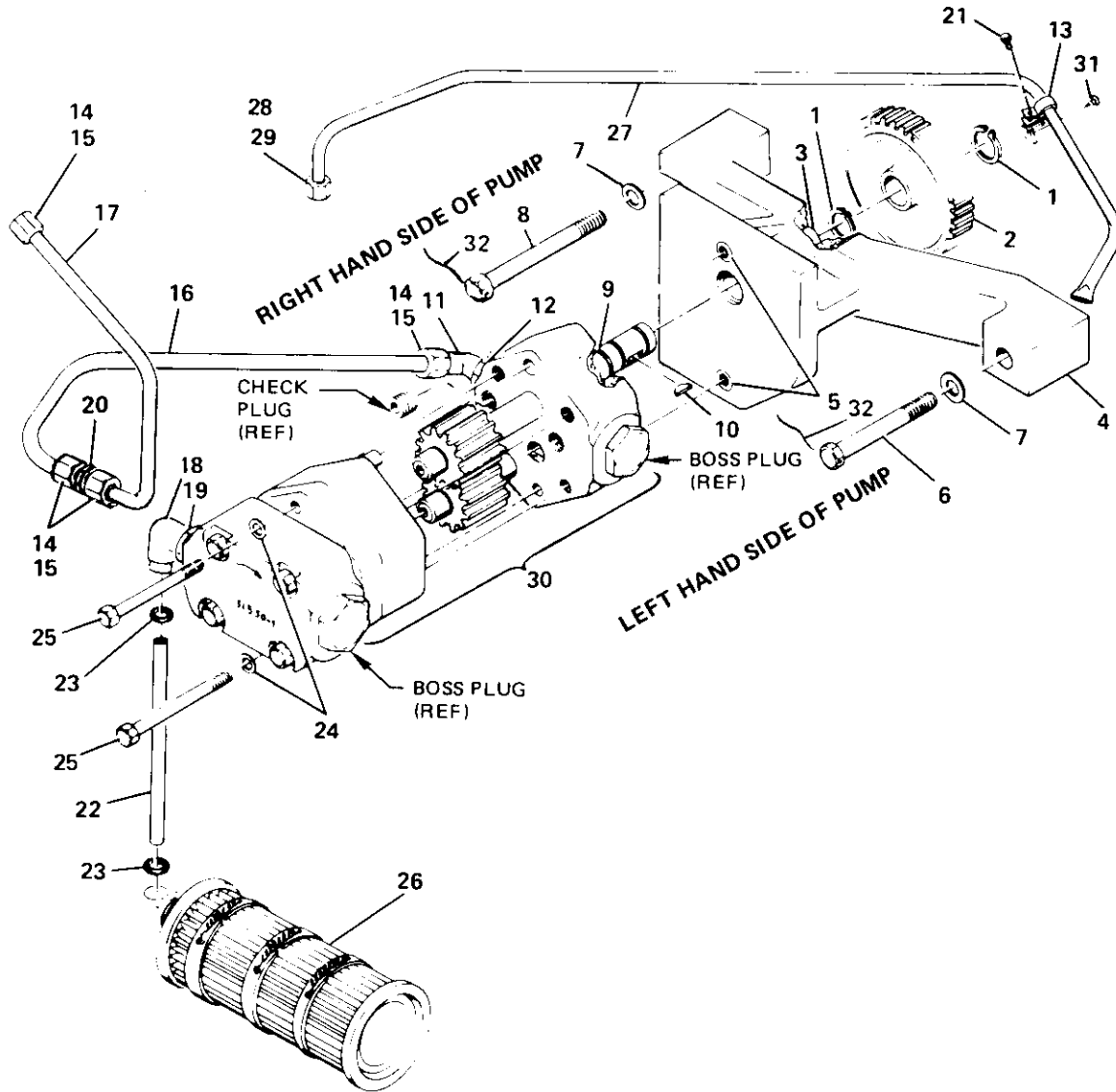
HYDRAULIC TUBING & FITTINGS NO. 51342

CARCO MODEL 120-PSM & PSC WINCH
PARTS LIST SECTION—PAGE 13
HYDRAULIC TUBING & FITTINGS
CATERPILLAR 583H & 583K PIPELAYER

REF.	CARCO PART NO.	NAME AND DESCRIPTION	QUAN. PER UNIT
1	16512-0044	Tee, PARKER 212T-4-4	1
2	16137-44	Elbow, WTHRD. 7405 x 4 x 4	1
3	16137-0064	Elbow, WTHRD. 7405 x 6	1
4	16521-06	Nut, PARKER BU6	4
5	16522-06	Sleeve, PARKER TU6	4
6	51957-06	Brake Return Tube	1
7	16476-6	Elbow, WTHRD. 7515 x 8	1
8	51957-03	Brake Pressure Tube	1
9	16485-0006	Elbow, WTHRD. 7506 x 6	1
10	16137-0066	Elbow, WTHRD. 7405 x 6 x 6	1
11	16485-0008	Elbow, WTHRD. 7506 x 8	3
12	51958-09	Forward Clutch Tube	1
13	16521-08	Nut, PARKER BU8	3
14	16522-08	Sleeve, PARKER TU8	3
15	16482-0086	Connector, WTHRD. 7205 x 8	1
16	16476-8	Elbow, WTHRD. 7515 x 8	1
17	51958-12	Reverse Tube	1
18	16478-8	Elbow, WTHRD. 7355 x 8	1
19	16481-0046	Connector, WTHRD. 7315 x 4 x 6	1
20	16521-04	Nut, PARKER BU4	2
21	16522-04	Sleeve, PARKER BU4	2
22	51956-01	Pressure Gauge Tube	1
23	16482-0044	Connector, WTHRD. 7205 x 4 x 4	1
24	16481-0006	Connector, WTHRD. 7315 x 6	1
* 25	52289	Connector	1
26	16481-8	Connector, WTHRD. 7315 x 8	1
27	16498-0086	Elbow, WTHRD. C3459 x 8	1
28	16160-06	Nipple, WTHRD. C3069 x 6	2
29	16114-0086	Adapter, WTHRD. C3269 x 8 x 6	2
* 30	16262-908	O-Ring, NAT'L. 600503	6
31	16262-906	O-Ring, NAT'L. 600593	3
* 32	16471-8	Ball Check, Nylon Type 101	1
33	16357-0820	Shoulder Screw, 3/8 UNC x 2-1/2 Hex Soc. Hd	1
34	51869	Clamp	1
35	16475-2	Accumulator, GREER 5-30RSC-S-1/2	2
36	51868	Plate	1
37	16047-407	Cap Screw, 1/4 UNC x 7/8 H.H.	1
38	46126-407	Spacer	1
39	16047-414	Cap Screw, 1/4 UNC x 1-3/4 H.H.	1
40	16021-3	Machine Screw, 10-24 UNC x 5/8 Rd. Hd.	1
41	16021-12	Machine Screw, 10-24 UNC x 1-1/2 Rd. Hd.	1
42	16033-1024	Nut, 10-24 UNC Hex	1
43	16069-3	Star Washer, #10 Ext. Tooth	1
44	16077-3	Washer, 3/16	1
45	16520-01	Swivel Clamp, ADEL 1789-X4-4	1

*These items also shown with Control Valve, Page 11.

CARCO MODEL 120-PSM & PSC WINCH
 PARTS LIST SECTION—PAGE 14
 PUMP GROUP
 CATERPILLAR 583H & 583K PIPELAYER



NOTE: ROTATION C.C.W. AS VIEWED FROM SHAFT END OF PUMP.
 PORT LOCATIONS, RIGHT HAND SIDE.
 CHECK PLUG AND END CAP LOCATION, RIGHT HAND SIDE.
 BEVEL GEAR INSTALLED ON GEAR SIDE OF BEVEL PINION.

PUMP GROUP NO. 51341-1

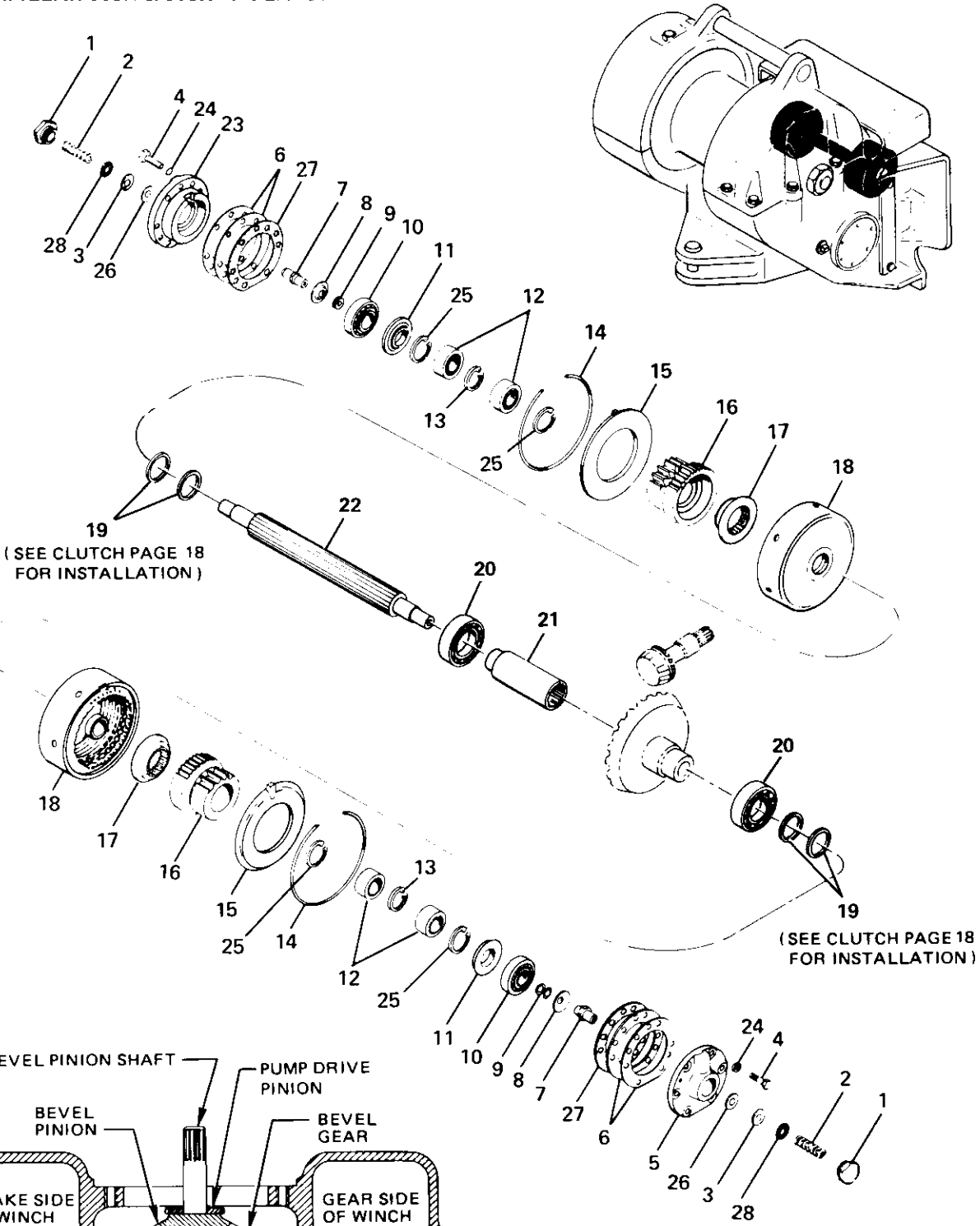
CARCO MODEL 120-PSM & PSC WINCH
PARTS LIST SECTION—PAGE 15
PUMP GROUP
CATERPILLAR 583H & 583K PIPELAYER

REF.	CARCO PART NO.	NAME AND DESCRIPTION	QUAN. PER UNIT
1	16313-62	Retaining Ring, TRUARC 5100-62	2
2	51056	Gear	1
3	15305	Needle Bearing	1
* 4	51525-1	Mount Assembly (Includes Items 3 and 5)	1
5	16507-0003	Threaded Insert	2
6	16024-15	Cap Screw, 3/8 UNC x 1-3/4 Dr. Hd.	1
7	16348-1	Washer, CARR LANE CL-1-FW	2
8	16024-16	Cap Screw, 3/8 UNC x 2-1/4 Dr. Hd.	1
9	16284-95	Pump Shaft Seal, WEBSTER 151-35818	1
10	16226-7	Key, WOODRUFF No. 3, 1/8 x 1/2	1
11	16476-8	Elbow, WTHRD. 7515 x 8	1
12	16262-908	O-Ring, NAT'L. 600503	1
13	16520-01	Swivel Clamp, ADEL 1789-X4-4	1
14	16521-8	Nut, PARKER BU8	4
15	16522-8	Sleeve, PARKER TU8	4
16	51958-15	Pump Tube	1
17	51958-06	Pressure Tube	1
18	16474-12	Elbow, LENZ A-405-12	1
19	16262-912	O-Ring, NAT'L. 600501	1
20	16511-08	Union, WTHRD. 7305 x 8	1
21	16021-3	Screw, 10-24 UNC x 5/8 Rd. Hd.	1
22	51959-56	Suction Tube	1
23	16262-116	O-Ring, NAT'L. 622714	2
24	16069-4	Lock Washer, 1/4 Ext. Tooth	2
25	16047-428	Cap Screw, 1/4 UNC x 3-1/2 H.H.	2
26	16473	Filter, MARVEL 620-5-M-200	1
27	51956-11	PTO Lube Tube	1
28	16521-4	Nut, PARKER BU4	1
29	16522-4	Sleeve, PARKER TU4	1
** 30	51530-1	Pump (See Below)	1
31	16055-12	Tapping Screw, 1/4 x 3/4 Type F Fl. Hd.	1
32	48125-2	Wire, 16 Ga. x 18"	1

*Item 4 is part of 51529-3 pump assembly.

**No pump parts other than items 9 and 10 are serviceable items. Order 51530-1 pump.

CARCO MODEL 120-PSM & PSC WINCH
 PARTS LIST SECTION—PAGE 16
 BEVEL GEAR SHAFT
 CATERPILLAR 583H & 583K PIPELAYER

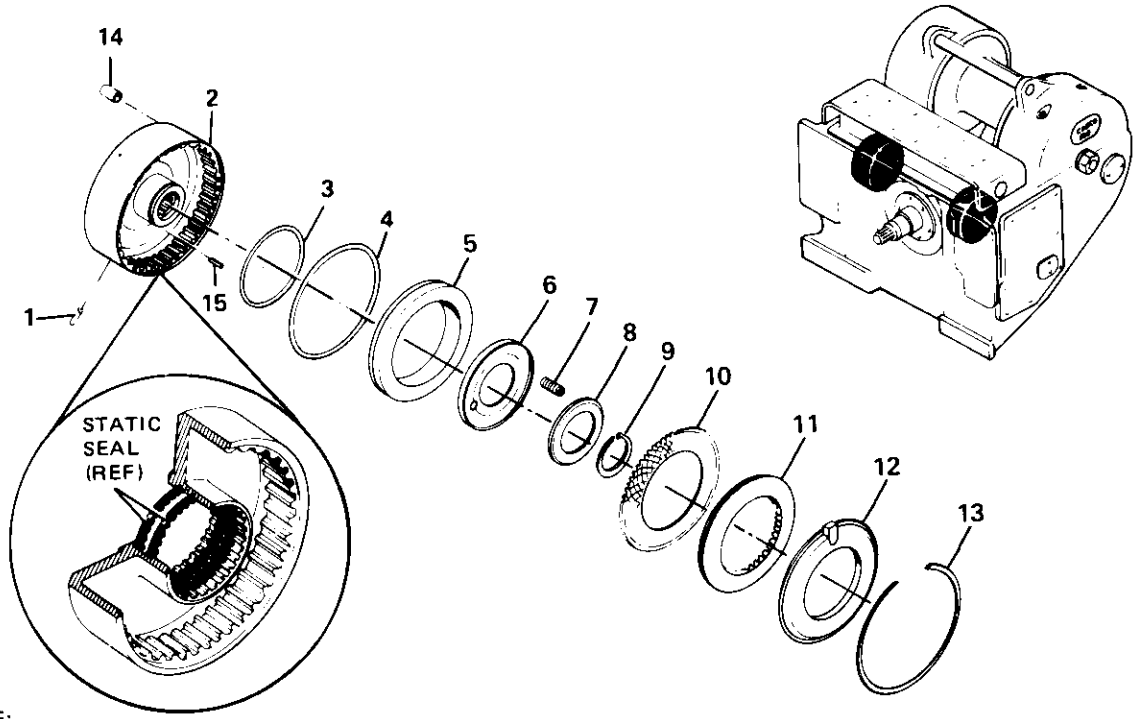


BEVEL GEAR SHAFT GROUP NO. 52273

CARCO MODEL 120-PSM & PSC WINCH
PARTS LIST SECTION—PAGE 17
BEVEL GEAR SHAFT
CATERPILLAR 583H & 583K PIPELAYER

REF.	CARCO PART NO.	NAME AND DESCRIPTION	QUAN. PER UNIT
1	16166-20	Plug, PARKER 05P0-20	2
2	44753	Spring	2
3	44949	Seal (includes item 28)	2
4	16047-1014	Cap Screw, 5/8 UNC x 1-3/4 H.H.	12
5	41847	Retainer	1
6	40149	Shim Set	2
7	41742	Stub Shaft	2
8	44105	Clamp Ring	2
9	44336	Shim Set	2
10	15150	Bearing Cup	2
11	15151	Cone	2
12	44104	Spacer	2
13	15255	Bearing Set (Matched)	2
14	16314-315	Retaining Ring, TRUARC N5000-315	2
15	49378	Retaining Ring	2
16	44083	Retaining Ring	2
17	48841	Pinion	2
18	44103	Spacer	2
19	51275-1	Clutch (See Page 18 For Clutch Parts, Includes Items 14 & 15)	2
20	40116	Seal	4
21	15044	Ball Bearing	2
22	40186	Spacer	1
23	40187	Shaft	1
24	41848	Retainer	1
25	16064-10	Washer, 5/8	12
26	16314-350	Retaining Ring, TRUARC N5000-350	4
27	44940	Washer	2
28	45029	Gasket	2
29	16262-121	O-Ring, NAT'L. 610067	2

CARCO MODEL 120-PSM & PSC WINCH
 PARTS LIST SECTION—PAGE 18
 CLUTCH
 CATERPILLAR 583H & 583K PIPELAYER



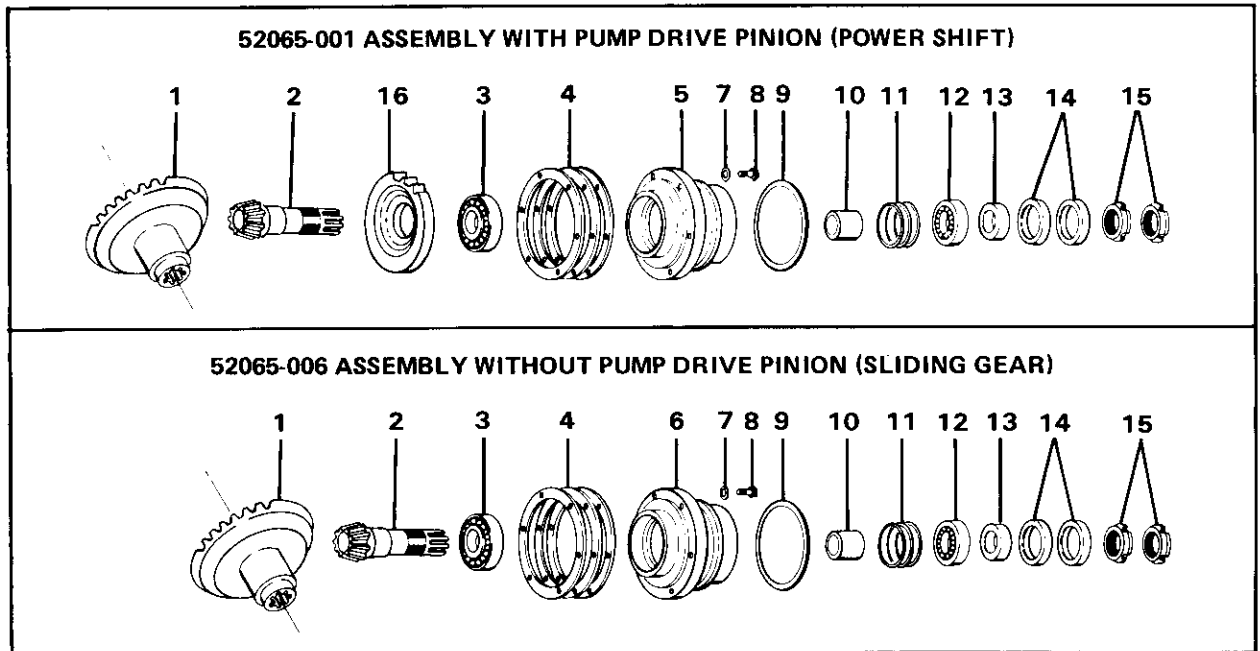
NOTE:
 ALL RELATED CLUTCH PARTS
 NOT SHOWN MUST BE ORDERED
 FROM PAGE 17.

CLUTCH NO. 51275-1

REF.	CARCO PART NO.	NAME AND DESCRIPTION	QUAN. PER UNIT
1	16290-1010	Dowel Pin, 5/16 x 5/8	1
2	51274-1	Housing (includes items 1 and 14)	1
3	46246	Seal	1
4	46247	Seal	1
5	41366	Piston	1
6	40163	Ring	1
7	40128	Spring	17
8	40136	Retainer	1
9	16313-400	Retaining Ring, TRUARC 51000-400	1
10	46129	Friction Disc	5
11	46130	Steel Disc	4
12	44083	Retaining Ring	1
13	49378	Retaining Ring	1
14	52592	Seat Assembly	1
15	16295-1428	Pin, SPIROL 437-1750-H-B-K	1

PS BEVEL GEAR AND BEVEL PINION CARRIER ASSEMBLIES
NOT CURRENTLY AVAILABLE

PSM & PSC BEVEL GEAR AND BEVEL PINION CARRIER ASSEMBLIES



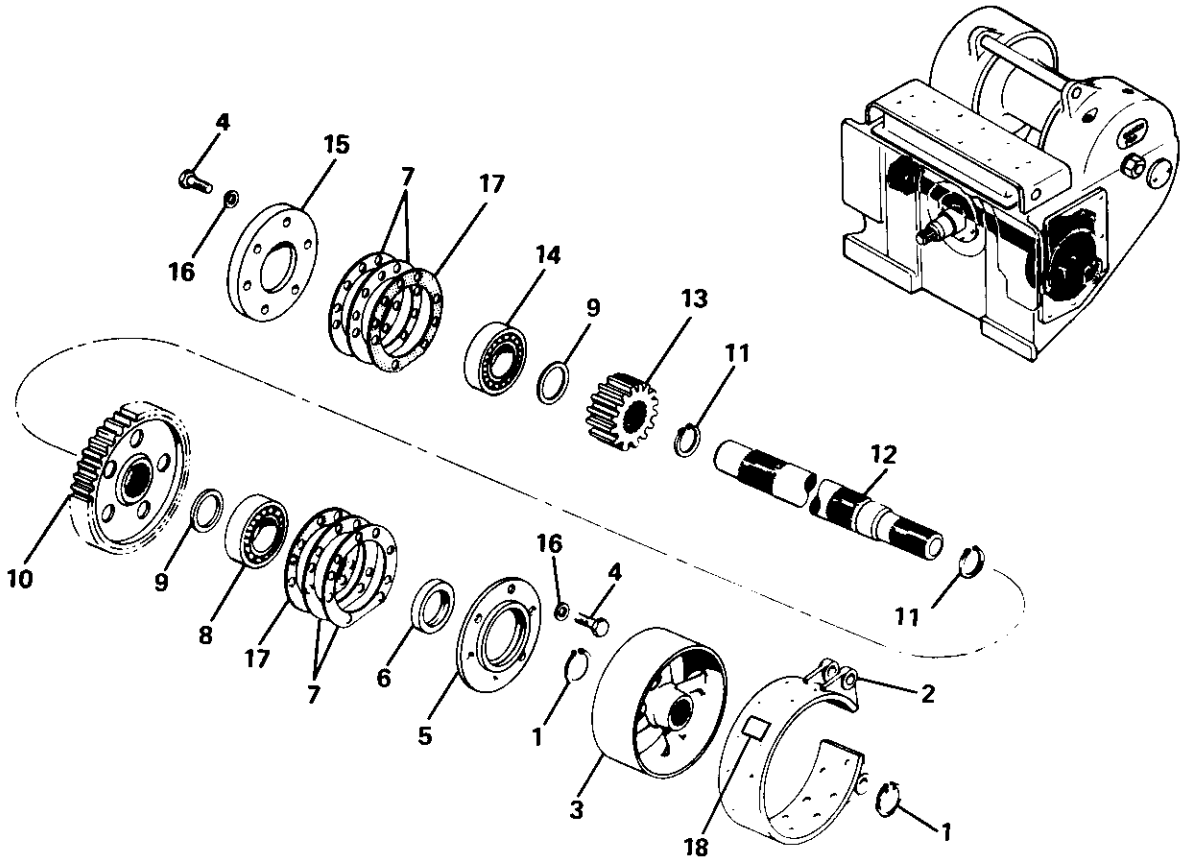
GEAR SET NO. 52065-101 RATIO 2.59/1

REF.	CARCO PART NO.	NAME AND DESCRIPTION	52065-001 QUAN. PER UNIT	52065-006 QUAN. PER UNIT
1	51622	Bevel Gear (44 Teeth)	1	1
2	51621	Bevel Pinion (17 Teeth)	1	1
3	{ 15161	Tapered Roller Bearing Cup	1	1
	{ 15162	Tapered Roller Bearing Cone	1	1
4	41424	Shim Set	1	1
5	52666	Carrier (P.S. Winch)	1	Not Used
6	41359	Carrier (S.G. Winch)	Not Used	1
7	16064-10	Washer, 5/8	6	6
8	16047-1010	Cap Screw, 5/8 UNC x 1-1/4 H.H.	6	6
9	16262-438	O-Ring, NAT'L. 622765	1	1
10	45090-5	Spacer	1	1
11	45091	Shim Set	1	1
12	{ 15176	Tapered Roller Bearing Cup	1	1
	{ 15177	Tapered Roller Bearing Cone	1	1
13	40154	Sleeve	1	1
14	16343-18	Oil Seal, NAT'L. 455165	2	2
15	45801	Lock Nut	2	2
16	51384	Pump Drive Pinion	1	Not Used

NOTE: The Bevel Gear Set above is standard for the adaption indicated. Below are optional gear combinations to provide a range of line speeds and pulls for various winching requirements. Important — Prior to ordering or quoting on any optional Bevel Gear Set be sure to check with factory on availability, and if the gear set would be recommended for the application.

GEAR SET NO.	BEVEL GEAR		BEVEL PINION		RATIO
	Part No.	Teeth	Part No.	Teeth	
52065-102	51625	44	51624	22	2.00/1
52065-103	51628	44	51627	25	1.76/1
52065-104	51631	42	51630	27	1.56/1
52065-105	51634	38	51633	32	1.19/1

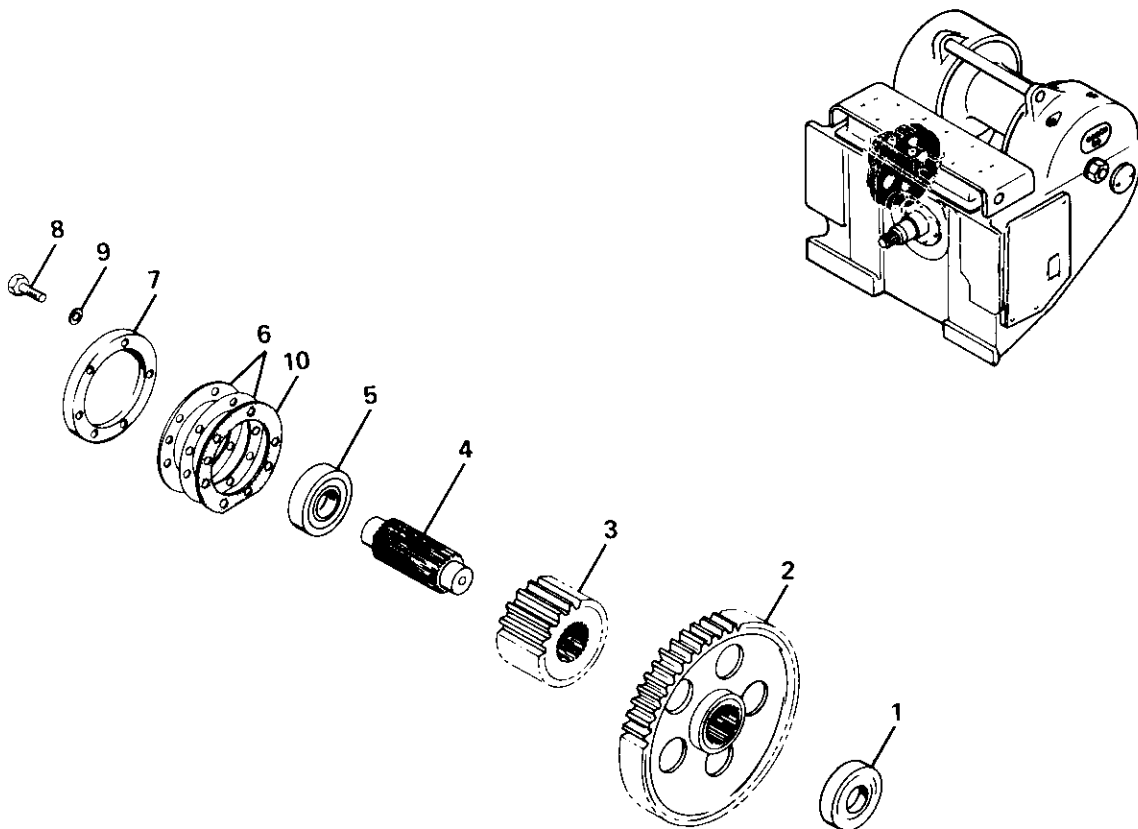
CARCO MODEL 120-PS, PSM & PSC WINCH
 PARTS LIST SECTION—PAGE 23
 BRAKE SHAFT ASSEMBLY



BRAKE SHAFT GROUP NO. 52277

REF.	CARCO PART NO.	NAME AND DESCRIPTION	QUAN. PER UNIT
1	16313-262	Retaining Ring, TRUARC 5100-262	2
2	46606	Brake Band Assembly (includes following)	1
	46607	Brake Block	3
	16323-808	Rivet, 1/4 x 1/2 Tub. Brass	38
3	41358	Brake Drum	1
4	16047-1014	Cap Screw, 5/8 UNC x 1-3/4 H.H.	12
5	40138	Carrier	1
6	16342-4	Oil Seal, NAT'L. 415004	1
7	40149	Shim Set	2
8	15145	Ball Bearing	1
9	40132	Spacer	2
10	41363	Gear	1
11	16313-300	Retaining Ring, TRUARC 5100 x 300	2
12	41352	Shaft	1
13	41353	Pinion	1
14	15280	Ball Bearing	1
15	40150	Cover	1
16	16064-10	Washer, 5/8	12
17	45029	Gasket	2
18	51955	Asbestos Warning Plate	1

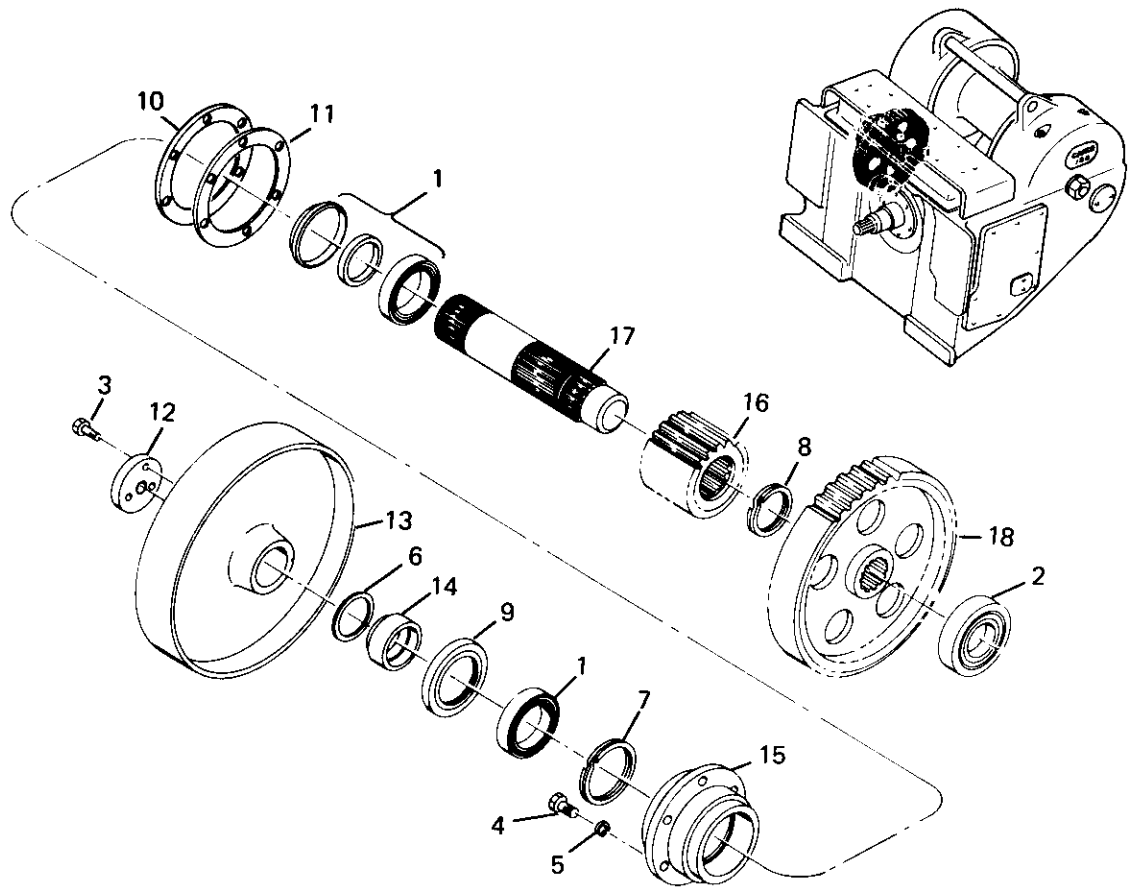
CARCO MODEL 120-PS, PSM & PSC WINCH
 PARTS LIST SECTION—PAGE 24
 IDLER SHAFT



IDLER SHAFT (STANDARD) GROUP NO. 52268

REF.	CARCO PART NO.	NAME AND DESCRIPTION	QUAN. PER UNIT
1	15280	Ball Bearing	1
2	44882	Gear	1
3	40947	Pinion	1
4	40167	Shaft	1
5	15281	Ball Bearing	1
6	40147	Shim Set	1
7	40151	Cover	1
8	16047-1014	Cap Screw, 5/8 UNC x 1-3/4 H.H.	6
9	16064-10	Washer, 5/8	6
10	46232	Gasket	1

CARCO MODEL 120-PSC WINCH
PARTS LIST SECTION—PAGE 25
IDLER SHAFT ASSEMBLY

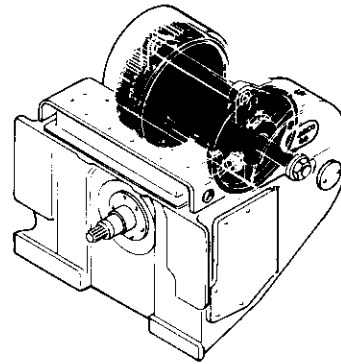
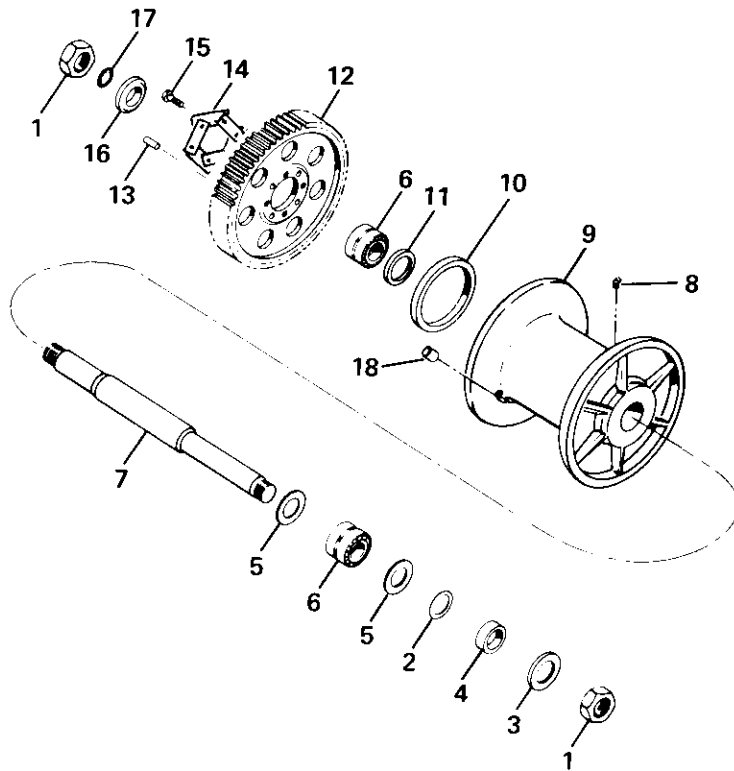


IDLER SHAFT (WITH HEAVY DUTY BRAKE ASSEMBLY) GROUP NO. 52269

REF.	CARCO PART NO.	NAME AND DESCRIPTION	QUAN. PER UNIT
1	15295	Bearing Assembly	1
2	15139	Roller Bearing	1
3	16041-1010	Cap Screw, 5/8 UNC x 1-1/4 H.H.	3
4	16047-1014	Cap Screw, 5/8 UNC x 1-3/4 H.H.	6
5	16064-10	Washer, 5/8	6
6	16262-237	O-Ring, NAT'L. 623015	1
7	16305-512	Retaining Ring, SPIROLOX RS-212	1
8	16306-325	Retaining Ring, SPIROLOX RST-118	1
9	16342-17	Seal, NAT'L. 41592	1
10	40147	Shim Set	1
11	46232	Gasket	1
12	49031	Retainer	1
13	49014	Brake Drum (See page 29 for Band Assembly)	1
14	49015	Sleeve	1
15	49017	Carrier	1
16	49018	Pinion	1
17	49019	Shaft	1
18	44882	Gear	1

NOTE: To be used only with brake assembly 52300 on page 29.

CARCO MODEL 120-PS, PSM & PSC WINCH
 PARTS LIST SECTION—PAGE 26
 DRUM SHAFT



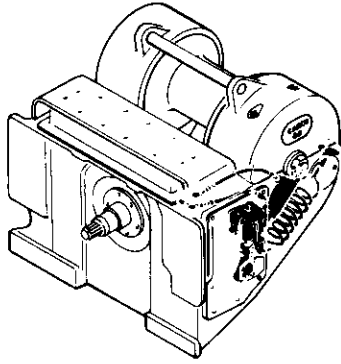
DRUM SHAFT GROUP NO. 52270

REF.	CARCO PART NO.	NAME AND DESCRIPTION	QUAN. PER UNIT	
1	16044-44	Nut, 2-3/4 UN Hex Jam	2	
2	44880	Shim	2	
3	16343-33	Oil Seal, NAT'L. 455072	1	
4	40143-3	Spacer	1	
5	40139	Seal	2	
6	{ 15237	Bearing Cone	4	
	{ 15238	Cup	2	
7	40145	Shaft	1	
8	16222-2	Fitting, ALEMITE 1610B	1	
*	{ 40144	Standard Drum	1	
	{ 44277	High Capacity Drum	1	
10	16342-12	Oil Seal, NAT'L. 415482	1	
11	16343-26	Oil Seal, NAT'L. 455040	1	
12	40137	Gear	1	
**	13	45081-6	Dowel Pin	6
	14	44250	Lock	6
	15	16048-1620	Cap Screw, 1 UNF x 2-1/2 H.H.	6
	16	44155-3	Spacer	1
	17	16262-340	O-Ring, NAT'L. 622743	1
	{ 25459-3	Ferrule for 1-1/4 Wire Rope	1	
	{ 25459-2	Ferrule for 1 or 1-1/8 Wire Rope	1	

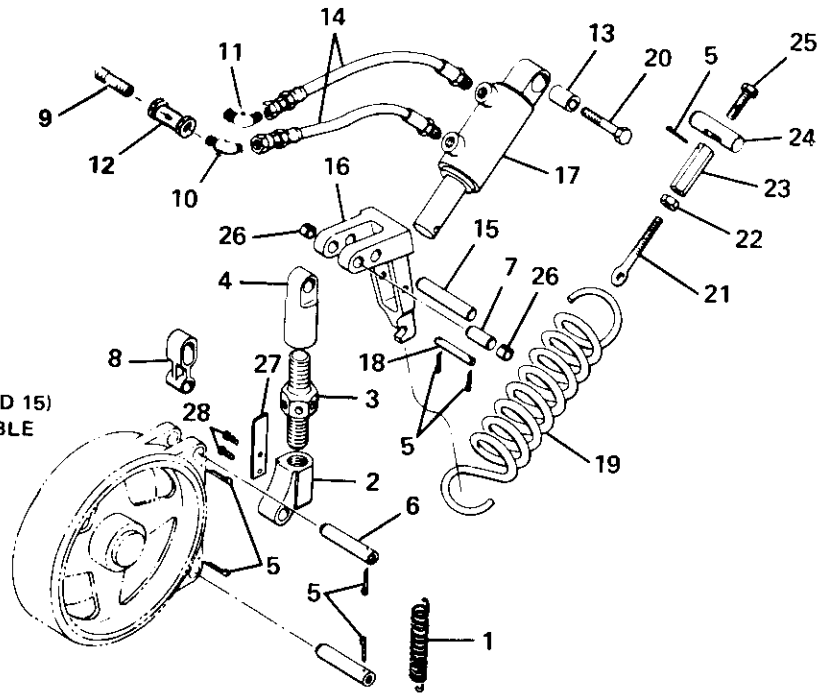
*Optional High Capacity Drum is standard on PSC models.

**When bull gear or cable drum is replaced, dowel holes must be drilled 1-9/64" and reamed 1.1557"/1.577" to accommodate oversize 45081-6 dowels.

CARCO MODEL 120-PS WINCH
PARTS LIST SECTION—PAGE 27
BRAKE CONTROL (SPRING APPLIED)



* DIAGRAM SHOWS PINS (ITEMS 7 AND 15)
IN LOCATIONS FOR OVERWIND CABLE
DRUM OPERATIONS.

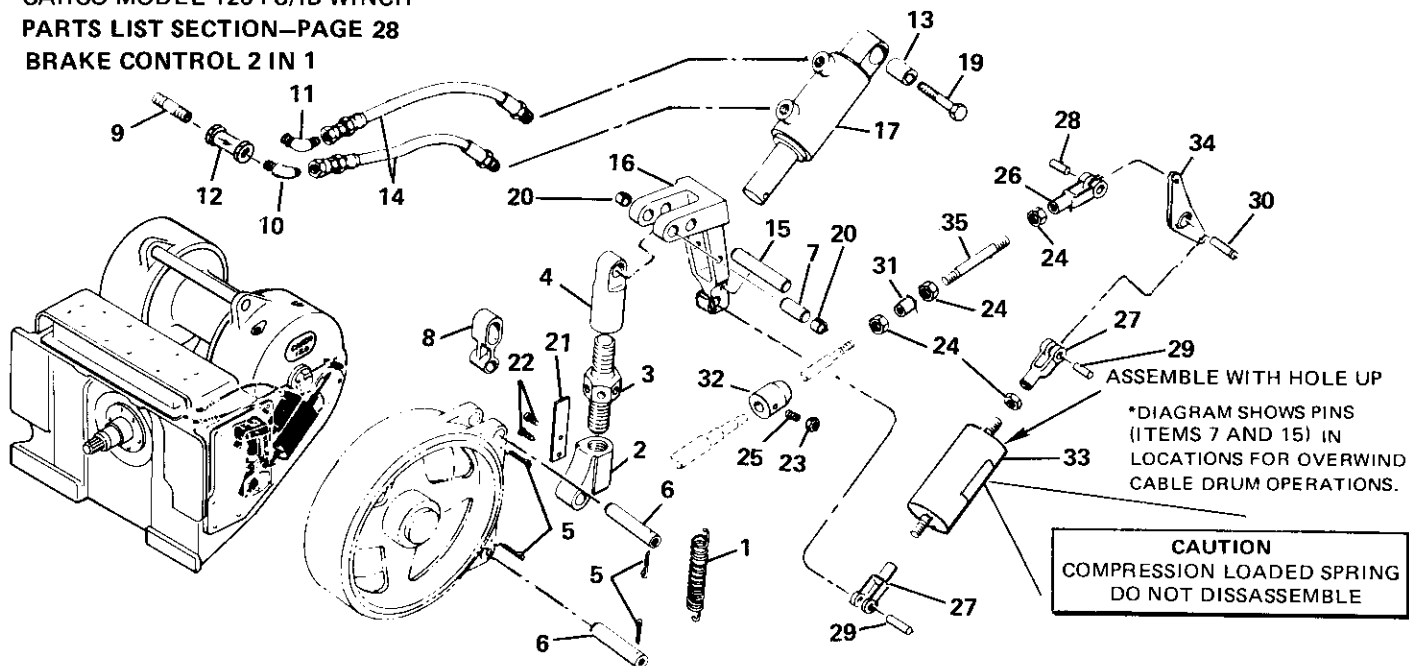


PS BRAKE CONTROL (SPRING APPLIED) GROUP NO. 52076

REF.	CARCO PART NO.	NAME AND DESCRIPTION	QUAN. PER UNIT
1	44107	Spring	1
2	40159-1	Rod Nut	1
3	40157	Rod	1
4	40156-1	Rod Nut	1
5	16288-420	Cotter Pin, 1/8 x 1-1/4	7
6	44114	Pin	2
* 7	32920	Pin	1
8	40119	Link	1
9	16158-412	Nipple, 1/4 NPT x 1-1/2	1
10	16145-46	Elbow, WTHRHD. C5405 x 6	1
11	1614566	Elbow, WTHRHD. C5405 x 6 x 6	1
12	51278	Flow Control Valve	1
13	46077-2	Sleeve	2
14	44118-17	Hose	1
* 15	32919	Pin	1
16	41361	Arm	1
17	51279	Cylinder (see page 31)	1
18	40134	Pin	1
19	40155	Spring	1
20	16047-1236	Cap Screw, 3/4 UNC x 5 H.H.	1
21	44684	Eye Bolt	1
22	16043-8	Nut, 1/2 UNC Hex Jam	1
23	40174	Nut	1
24	40175	Pin	1
25	44752	Screw	1
26	44687-1	Spacer	2
27	44806	Spring	1
28	16055-5	Drive Screw, #10 x 3/8 Type U	2

NOTE: See page 4 for control stand group.

CARCO MODEL 120-PS/IB WINCH
 PARTS LIST SECTION—PAGE 28
 BRAKE CONTROL 2 IN 1

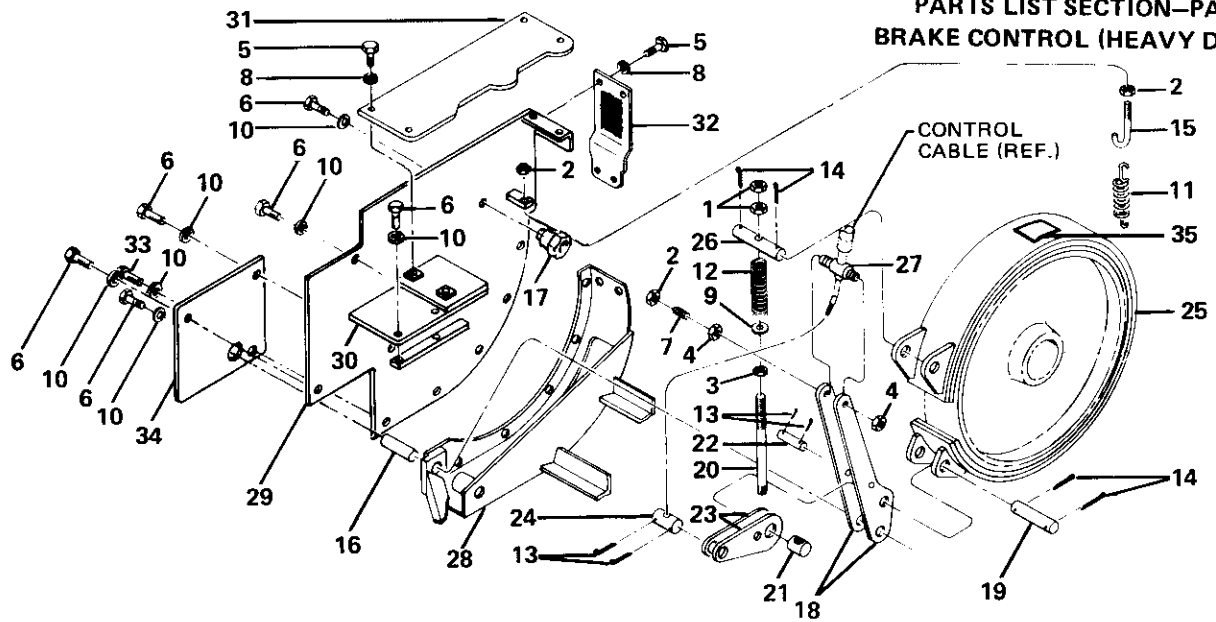


PS BRAKE CONTROL (WITH 2 IN 1 INCHING BRAKE) GROUP NO. 52078

REF.	CARCO PART NO.	NAME AND DESCRIPTION	QUAN. PER UNIT
1	44107	Spring	1
2	40159-1	Rod Nut	1
3	40157	Rod	1
4	40156-1	Rod Nut	1
5	16288-420	Cotter Pin, 1/8 x 1-1/4	7
6	44114	Pin	2
* 7	32920	Pin	1
8	40119	Link	1
9	16158-412	Nipple, 1/4 NPT x 1-1/2	1
10	16145-46	Elbow, WTHRD. C5405 x 6	1
11	16145-66	Elbow, WTHRD. C5405 x 6 x 6	1
12	51278	Flow Control Valve	1
13	46077-2	Sleeve	1
14	44118-17	Hose	2
* 15	32919	Pin	1
16	49426-20	Arm	1
17	51279	Cylinder (see page 31)	1
18	40134	Pin	1
19	16047-1236	Cap Screw, 3/4 UNC x 5 H.H.	1
20	44687-1	Spacer	2
21	44806	Spring	1
22	16055-5	Drive Screw, 1/2 x 3/8 Type U	2
23	16043-6	Nut, 3/8 UNC Hex Jam	1
24	16044-6	Nut, 3/8 UNF Hex Jam	3
25	16056-620	Set Screw, 3/8 UNC x 1-1/4 Hex Soc. Cp. Pt.	1
26	16245-6	Yoke, CLEVELAND 2708-4A	1
27	16245-8	Yoke, CLEVELAND 2708-6A	2
28	16246-6	Yoke Pin Assembly, CLEVELAND 2708-1/2-4A	1
29	16246-8	Yoke Pin Assembly, CLEVELAND 2708-1/2-6A	2
30	16295-2456	Spring Pin, C.E.M.CO. 750-3500-H-B-K	1
31	44013	Coupling	1
32	45351-3	Anchor	1
33	49420-20	Spring Assembly	1
34	49423	Lever	1
35	49424	Rod	1

NOTE: See page 5 for control stand group.

CARCO MODEL 120-PSC WINCH
PARTS LIST SECTION—PAGE 29
BRAKE CONTROL (HEAVY DUTY)

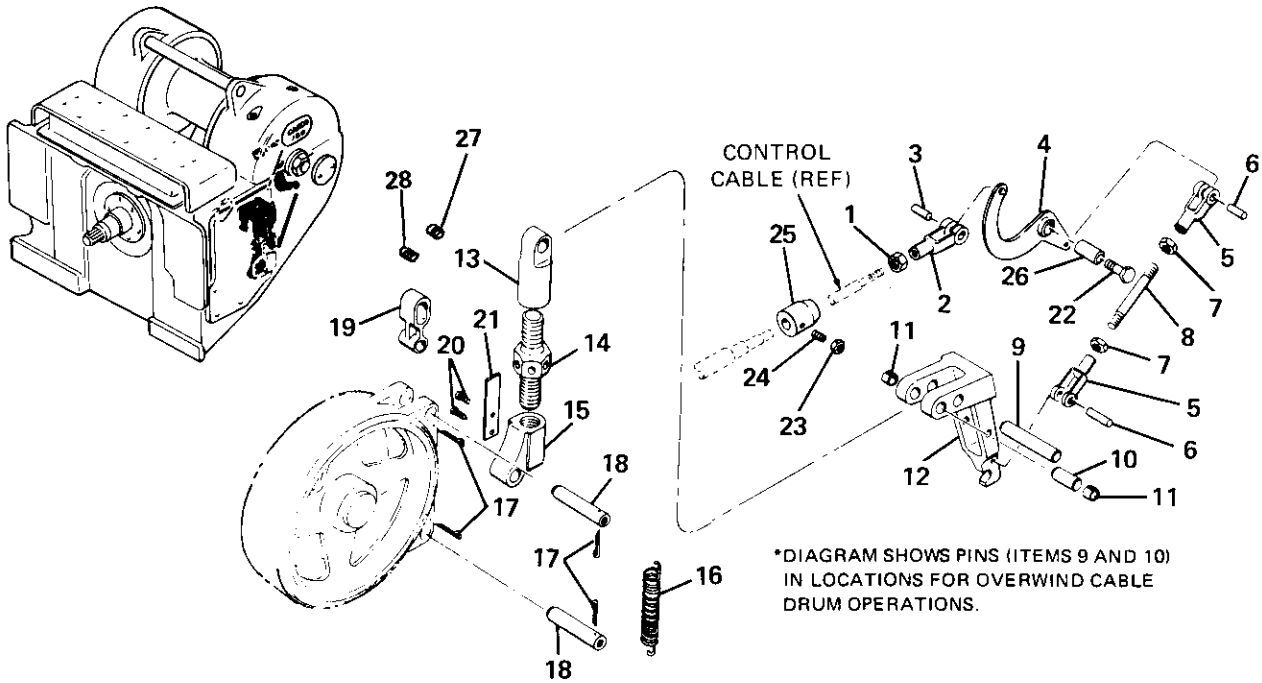


PS BRAKE CONTROL (WITH HEAVY DUTY BRAKE ASSEMBLY) GROUP NO. 52300

REF.	CARCO PART NO.	NAME AND DESCRIPTION	QUAN. PER UNIT
1	16031-8	Nut, 1/2 UNC Hex	2
2	16043-6	Jam Nut, 3/8 UNC Hex	3
3	16043-8	Jam Nut, 1/2 UNC Hex	1
4	16043-14	Jam Nut, 7/8 UNC Hex	2
5	16047-810	Cap Screw, 1/2 UNC x 1-1/4 H.H.	7
6	16047-1010	Cap Screw, 5/8 UNC x 1-1/4 H.H.	11
7	16056-628	Set Screw, 3/8 UNC x 1-3/4 Hex Soc. Hd.	1
8	16063-8	Washer, 1/2	7
9	16064-8	Washer, 1/2	1
10	16064-10	Washer, 5/8	12
11	16240-7	Spring	1
12	16240-9	Spring	1
13	16288-416	Cotter Pin, 1/8 x 1	4
14	16288-628	Cotter Pin, 3/16 x 1-3/4	4
15	39927-1	Bolt	1
16	39927-1	Bolt	1
17	49016-120	Nut (Drum Shaft Nut)	1
18	49021	Link	2
19	49022	Pin	1
20	49023	Rod	1
21	49024	Pin	1
22	49025	Pin	1
23	49026	Lever	2
24	49027	Pin	1
25	49028	Brake Band Assembly (See page 25 for Brake Drum)	1
26	49029	Pin	1
27	49030	Pin	1
28	49050	Shroud	1
29	49301	Brake Guard Assembly	1
30	49302	Bracket	1
31	49303	Cover	1
32	49304	Guard	1
33	16047-1014	Cap Screw, 5/8 UNC x 1-3/4 H.H.	1
34	51610	Cover	1
35	51955	Asbestos Warning Plate	1

NOTE: To be used only with idler shaft assembly 52269 page 25.
See page 6 for control stand group.

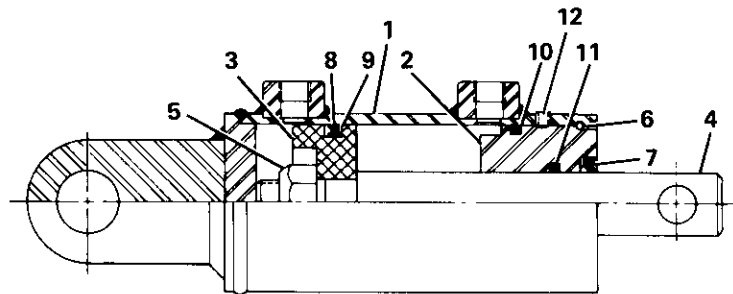
CARCO MODEL 120-PSM & PSC WINCH
 PARTS LIST SECTION—PAGE 30
 BRAKE CONTROL (MANUAL)



BRAKE CONTROL (MANUAL) GROUP NO. 52077

REF.	CARCO PART NO.	NAME AND DESCRIPTION	QUAN. PER UNIT
1	16044-6	Nut, 3/8 UNF Hex Jam	1
2	16245-6	Yoke, Cleve. 2708-4A	1
3	16246-6	Pin, Cleve. 2708-1/2-4A	1
4	44990	Lever	1
5	16245-8	Yoke, Cleve. 2708-6A	2
6	16246-8	Pin, Cleve. 2708-1/2-6A	2
7	16044-8	Nut, 1/2 UNF Hex Jam	2
8	37629-5	Stud	1
9	32919	Pin	1
10	32920	Pin	1
11	44687-1	Spacer	2
12	41361	Arm	1
13	40156-1	Rod Nut	1
14	40157	Rod	1
15	40159-1	Rod Nut	1
16	44107	Spring	1
17	16288-420	Cotter Pin, 1/8 x 1-1/4	4
18	44114	Pin	2
19	40119	Brake Link	1
20	16055-5	Drive Screw, # 10 x 3/8 Type U	2
21	44806	Spring	1
22	16047-1236	Cap Screw, 3/4 UNC x 5 H.H.	1
23	16043-6	Nut, 3/8 UNC Hex Jam	1
24	16056-620	Set Screw, 3/8 UNC x 1-1/4 Hex Soc.	1
25	45351-3	Anchor	1
26	46077-2	Sleeve	1
27	16169-6	Plug, 3/8 NPT Sq. Hd.	1
28	16169-4	Plug, 1/4 NPT Sq. Hd.	1

NOTE: See page 7 for control stand group.



MANUFACTURER: CROSS
 CARCO PART NO. 51301
 CROSS PART NO.: 026255

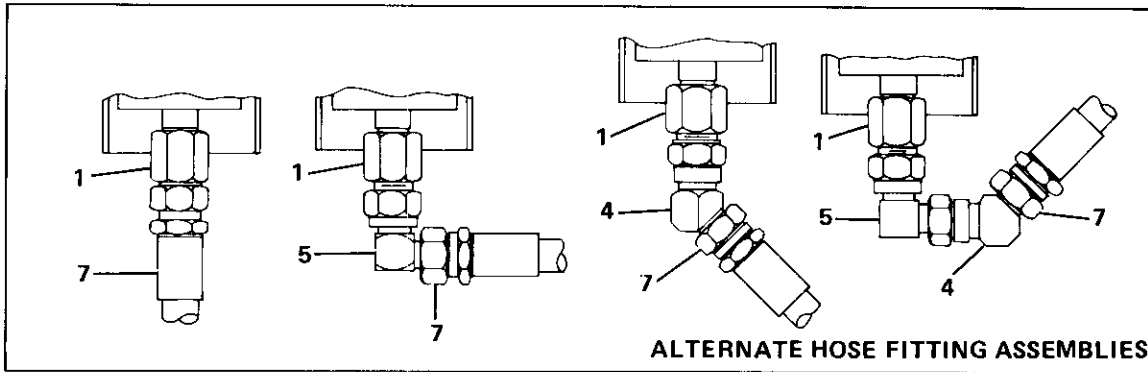
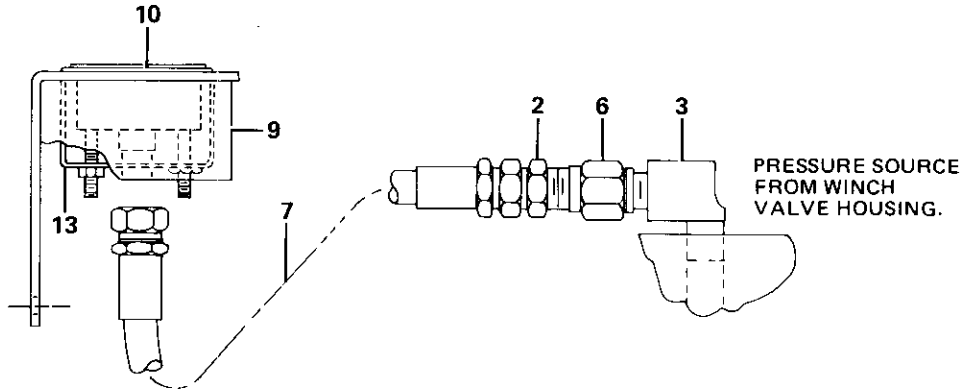
BRAKE CYLINDER NO. 51279

REF.	CARCO PART NO.	NAME AND DESCRIPTION	QUAN. PER UNIT
** 1		Tube Assembly	1
2	16280-2	Head, CROSS 1C3243	1
3	16280-15	Piston, CROSS 3C7800	1
4	16280-4	Rod, CROSS 1C3282	1
5	16280-5	Nut, CROSS 2A0246-12	1
6	16280-6	Retaining Ring, CROSS 2A0462-250	1
* 7	16280-7	Wiper, CROSS 2A0773-816	1
* 8	16334-1	Seal, C/R 710087	1
* 9	16301-1	Back-up Washer, C/R 451069	1
* 10	16262-228	O-Ring, NAT'L. 623006	1
* 11	16262-214	O-Ring, NAT'L. 622719	1
12	16054-404	Set Screw, 1/4 UNC x 1/4 Hex Soc.	2
* *	46241	Repair Kit	1

*Items 7, 8, 9, 10 and 11 are included in 46241 repair kit.

**Not a spares item, order 51279 cylinder assembly.

CARCO MODEL 120-PS, PSM & PSC WINCH
PARTS LIST SECTION—PAGE 32
PRESSURE GAUGE



PRESSURE GAUGE KIT NO. 48700-120

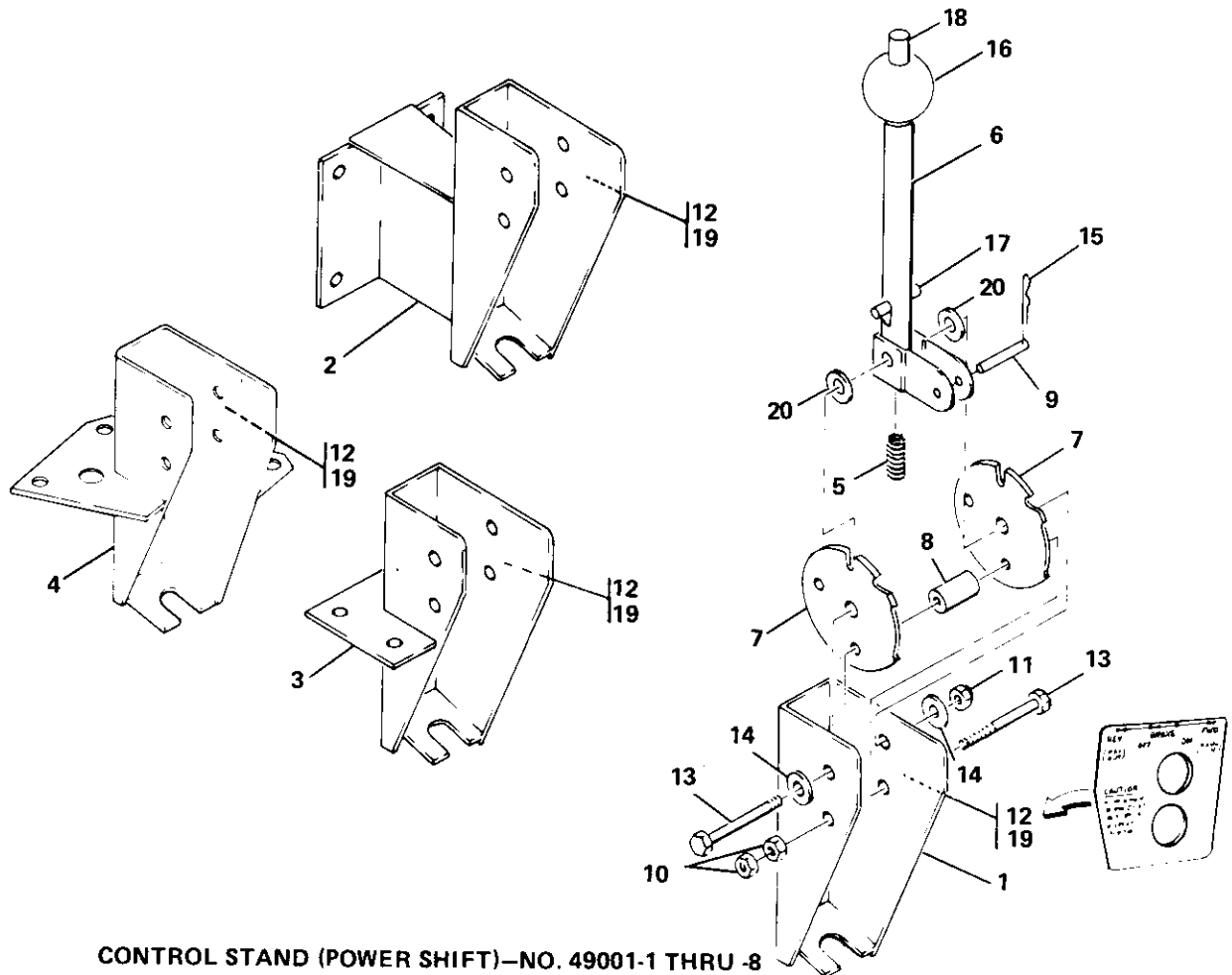
REF.	CARCO PART NO.	NAME AND DESCRIPTION	QUAN. PER UNIT
1	16116-44	Adapter, WTHRD. C5255 x 4 x 4	1
***	2	Connector, WTHRD. C5205 x 4 x 4 (See Below)	1
***	3	Elbow, WTHRD. 3400 x 4 (See Below)	1
	4	Union, WTHRD. C5356 x 4	1
	5	Union, WTHRD. C5506 x 4	1
***	6	Snubber, CHEMIQUIP 25B-D (See Below)	1
*	7	Hose Assembly	1
	8	Tag, Instruction—Not Shown	1
	9	Bracket	1
	10	Gauge	1
**	11	Sheet, Instruction—Not Shown	1
**	12	Gauge Kit Print — Not Shown	1
	13	Bracket	1

*48700 kit can be ordered, which is without item 7.

**Items 8, 11 and 12 are included in gauge kit.

***Items 2, 3 and 6 are also shown on control valve, page

CARCO MODEL 120-PS WINCH
PARTS LIST SECTION—PAGE 33
CONTROL STAND



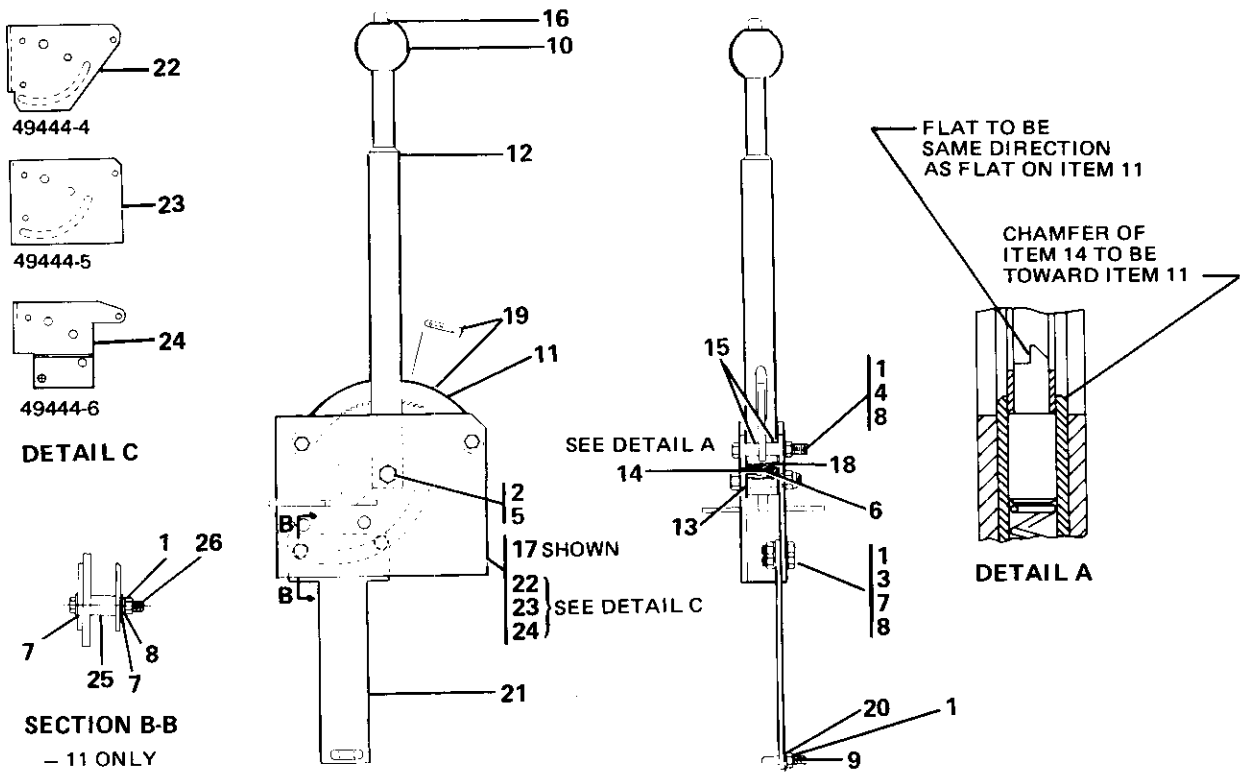
CONTROL STAND (POWER SHIFT)—NO. 49001-1 THRU -8

REF.	CARCO PART NO.	NAME AND DESCRIPTION	CONTROL STAND GROUP NO'S 49001-1 THRU 49001-8							
			QTY. -1	QTY. -2	QTY. -3	QTY. -4	QTY. -5	QTY. -6	QTY. -7	QTY. -8
1	49002-1	Housing	1				1		1	
2	49002-2	Housing		1					1	1
3	49002-3	Housing			1					
4	49002-4	Housing				1				
5	41403	Spring	1	1	1	1	1	1	1	1
* 6	49003	Lever Assy.	1	1	1	1	1	1	1	1
7	49007	Lock Plate	2	2	2	2	2	2	2	2
8	49804-3	Spacer	1	1	1	1	1	1	1	1
9	49010	Pin	1	1	1	1	1	1	1	1
10	16033-6	Nut, 3/8 UNC Hex	2	2	2	2	2	2	2	2
11	16039-66	Lock Nut, ESNA 21NE-066	1	1	1	1	1	1	1	1
12	49314	Shift Instruction Plate	1	1	1	1				
13	16047-620	Cap Screw, 3/8 UNC x 2-1/2 H.H.	2	2	2	2	2	2	2	2
14	16064-6	Washer, 3/8	2	2	2	2	2	2	2	2
15	16381-13	Hitch Pin, WESTERN WIRE WW-13	1	1	1	1	1	1	1	1
* 16	41404	Ball	1	1	1	1	1	1	1	1
* 17	16294-824	Spring Pin, 1/4 x 1-1/2	1	1	1	1	1	1	1	1
* 18	49004	Push Rod	1	1	1	1	1	1	1	1
19	49314-3	Shift Instruction Plate						1		
20	16009-6	Thrust Bearing, BUNTING TW 37	2	2	2	2	2	2	2	2

*Items 16, 17, 18 are included in item 6.

NOTE: See page 24 for PS brake control group used with these stands.

CARCO MODEL 120-PSC & PSM WINCH
 PARTS LIST SECTION—PAGE 34
 CONTROL STAND, MANUAL AND HEAVY DUTY BRAKE

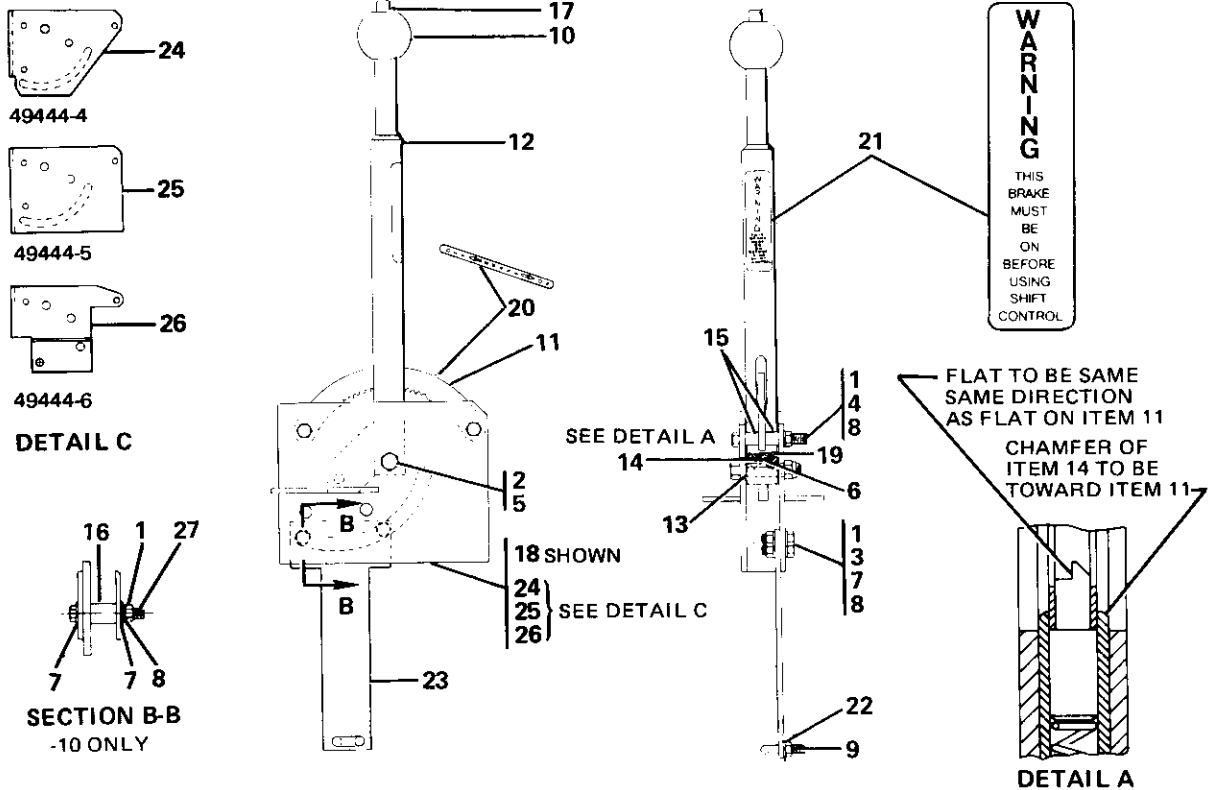


BRAKE STAND - NO. 49434 - 7 THRU - 11

REF.	CARCO PART NO.	NAME AND DESCRIPTION	BRAKE STAND GROUP NO.			
			QUANTITY 49434-7	QUANTITY 49434-8	QUANTITY 49434-9	QUANTITY 49434-11
1	16033-6	Nut, 3/8 UNC Hex	4	4	4	4
2	16039-83	Lock Nut, ESNA 21NE-083	1	1	1	
3	16047-608	Cap Screw, 3/8 UNC x 1 H.H.	2	2	2	
4	16047-620	Cap Screw, 3/8 UNC x 2-1/2 H.H.	2	2	2	2
5	16047-818	Cap Screw, 1/2 UNC x 2-1/4 H.H.	1	1	1	1
6	16064-3	Washer, No. 10	1	1	1	1
7	16064-6	Washer, 3/8	2	2	2	4
8	16067-6	Lock Washer, 3/8	4	4	4	4
9	16398-4	U-Bolt, CABLECRAFT 161-010-4	1	1	1	1
10	41404	Ball	1	1	1	1
11	50627	Sector	1	1	1	1
12	49435	Handle	1	1	1	1
13	49436	Washer	2	2	2	2
14	49437	Bushing	1	1	1	1
15	49438	Spacer	4	4	4	4
16	50629	Rod	1	1	1	1
17	49444-3	Housing	1			
18	49445	Spring	1	1	1	1
19	49446	Plate	1	1	1	1
20	16067-4	Lock Washer, 1/4	2	2	2	2
21	50099	Arm	1	1	1	1
22	49444-4	Housing			1	
23	49444-5	Housing		1		
24	49444-6	Housing				1
25	48692-615	Spacer				2
26	16047-618	Cap Screw, 3/8 UNC x 2-1/4 H.H.				1

*See page 29 & 30 for brake control group used with these stands.

CARCO MODEL 120-PS/IB & PSC WINCH
PARTS LIST SECTION—PAGE 35
CONTROL STAND, WITH INCHING BRAKE



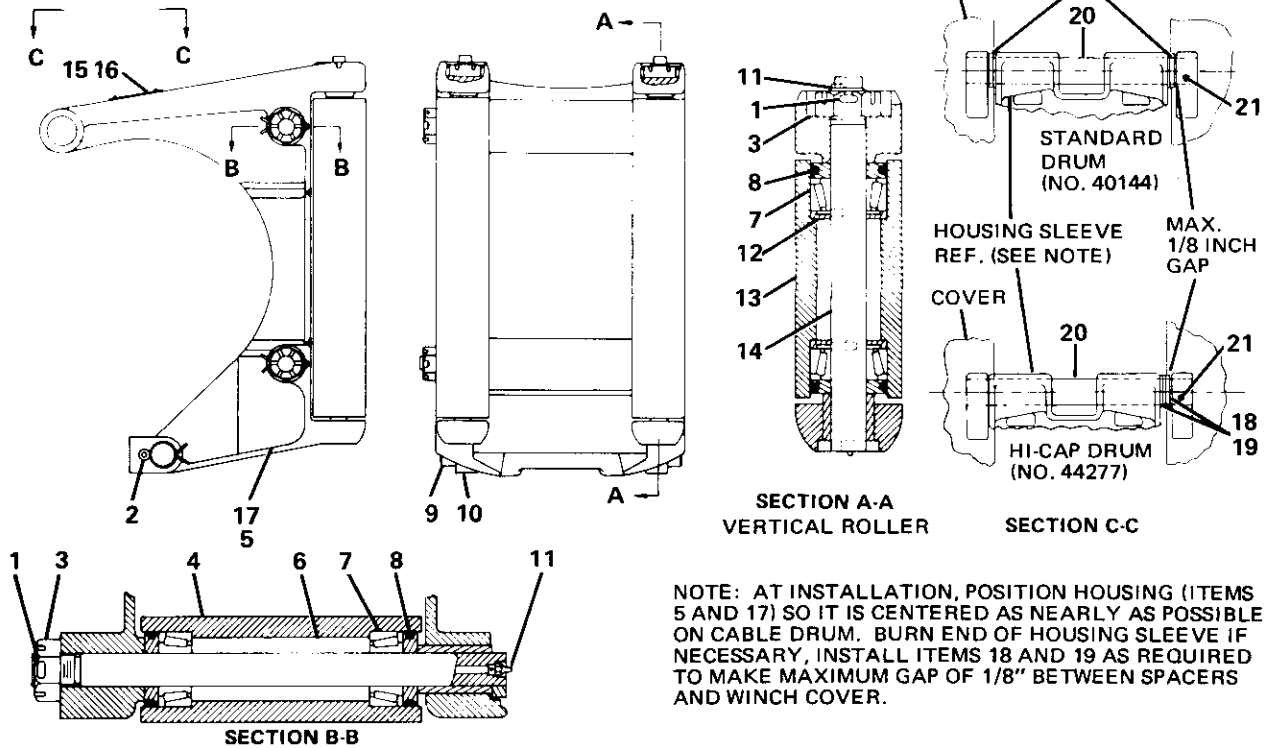
2 IN 1 INCHING BRAKE STAND—NO. 49434 -- 4 THRU -- 10

REF.	CARCO PART NO.	NAME AND DESCRIPTION	BRAKE STAND GROUP NO.			
			QUANTITY 49434-4	QUANTITY 49434-5	QUANTITY 49434-6	QUANTITY 49434-10
1	16033-6	Nut, 3/8 UNC Hex	4	4	4	4
2	16039-83	Lock Nut, ESNA 21NE-083	1	1	1	
3	16047-608	Cap Screw, 3/8 UNC x 1 H.H.	2	2	2	
4	16047-620	Cap Screw, 3/8 UNC x 2-1/2 H.H.	2	2	2	2
5	16047-818	Cap Screw, 1/2 UNC x 2-1/4 H.H.	1	1	1	1
6	16064-3	Washer, No. 10	1	1	1	1
7	16064-6	Washer, 3/8	2	2	2	4
8	16067-6	Lock Washer, 3/8	4	4	4	4
9	16398-4	U-Bolt, CABLECRAFT 161-010-4	1	1	1	1
10	41404	Ball	1	1	1	1
11	50627	Sector	1	1	1	1
12	49435	Handle	1	1	1	1
13	49436	Washer	2	2	2	2
14	49437	Bushing	1	1	1	1
15	49438	Spacer	4	4	4	4
16	48692-615	Spacer				2
17	50629	Rod	1	1	1	1
18	49444-3	Housing		1		
19	49445	Spring	1	1	1	1
20	49446	Plate	1	1	1	1
21	49928	Warning Plate	1	1	1	1
22	16067-4	Lock Washer, 1/4	2	2	2	2
23	50099	Arm	1	1	1	1
24	49444-4	Housing	1			
25	49444-5	Housing			1	
26	49444-6	Housing				1
27	16047-618	Cap Screws, 3/8 UNC x 2-1/4 H.H.				1

*See page 28 for brake control group used with these stands.

FAIRLEAD

THIS FAIRLEAD IS NORMALLY FURNISHED AS A 3-ROLLER UNIT, WITH HORIZONTAL ROLLER IN TOP POSITION — IF A 4-ROLLER UNIT IS REQUIRED, AN ADDITIONAL ROLLER CAN BE SUPPLIED CONSISTING OF ITEMS LISTED IN COLUMN "A" IN PARTS LIST.



NOTE: AT INSTALLATION, POSITION HOUSING (ITEMS 5 AND 17) SO IT IS CENTERED AS NEARLY AS POSSIBLE ON CABLE DRUM. BURN END OF HOUSING SLEEVE IF NECESSARY, INSTALL ITEMS 18 AND 19 AS REQUIRED TO MAKE MAXIMUM GAP OF 1/8" BETWEEN SPACERS AND WINCH COVER.

- FAIRLEAD—PART NO. { 42000-30 (3 ROLLER, USE WITH STD. DRUM NO. 40144)
 42000-40 (4 ROLLER, USE WITH STD. DRUM NO. 40144)
 42000-31 (3 ROLLER, USE WITH HICAP DRUM NO. 44277)
 42000-41 (4 ROLLER, USE WITH HICAP DRUM NO. 44277)

REF.	CARCO PART NO.	NAME AND DESCRIPTION	QUAN. PER UNIT	"A"
1	16288-1240	Cotter Pin, 3/8 x 2-1/2	3	1
2	16288-1656	Cotter Pin, 1/2 x 3-1/2	2	
3	16036-24	Nut, TIMKEN K8111	3	1
4	32807	Roller	1	1
5	48454	Housing (For High Capacity Drum 44277)	1	
6	32806	Shaft	1	1
7	15235	Brg. Cup	6	2
	15178	Brg. Cone	6	2
8	30044	Dust Guard	6	2
9	30051-3	Bar	1	
10	42005	Attaching Lug	2	
11	16222-2	Grease Fitting, ALEMITE 1610B	5	1
12	30045	Retainer	4	
13	30705	Roller	2	
14	30701	Shaft	2	
15	16055-5	Drive Screw, #10 x 3/8 Type U	4	
16	26248	Name Plate	1	
17	42001	Housing (For Std. Drum 40144)	1	
18	49879-1	Spacer	1	
19	49879-2	Spacer	2	
20	49043-3	Cable Guard	1	
21	16288-1272	Cotter Pin, 3/8 x 4-1/2	1	

*Welds to winch case.